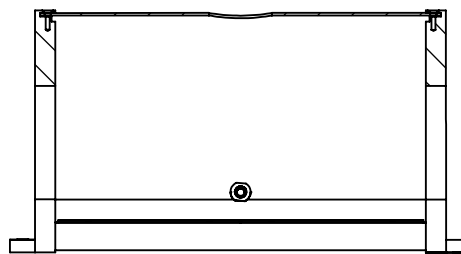
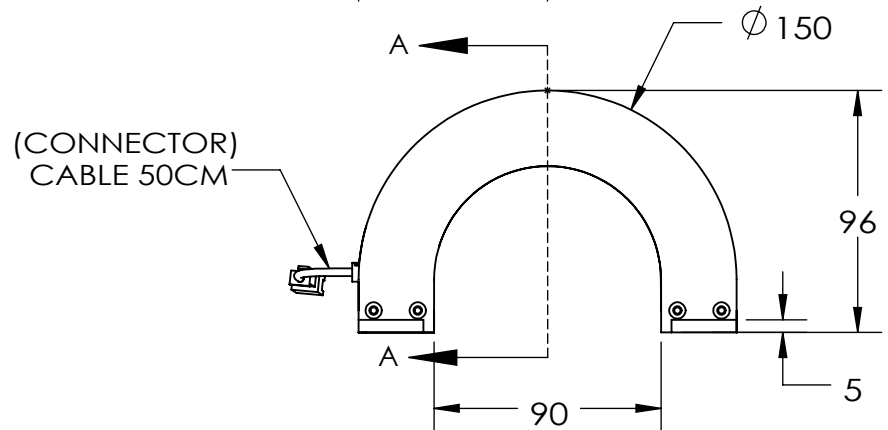
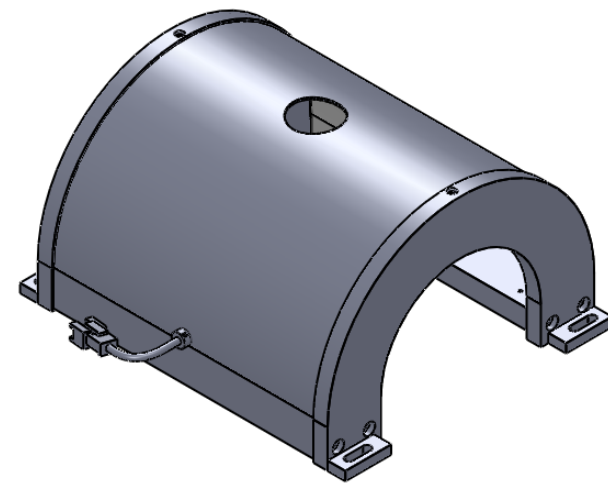
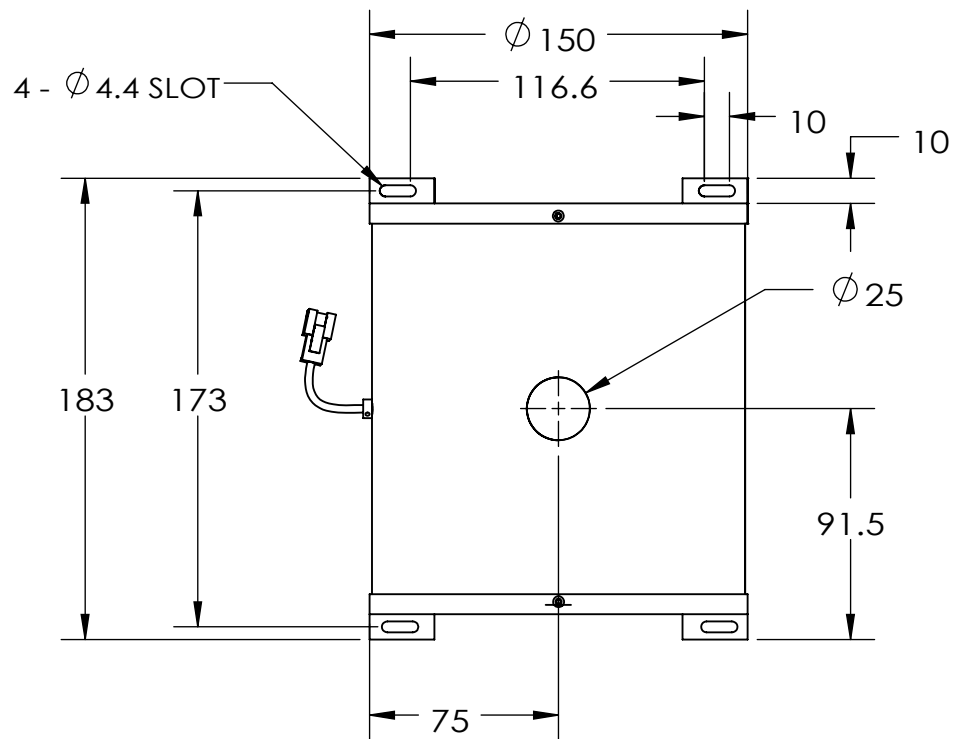


REVISIONS

ZONE	REV.	DESCRIPTIONS	DATE	APP.
------	------	--------------	------	------



COLOR	WAVE LENGHT
RED:	620nm
GREEN:	525nm
BLUE:	470nm
WHITE:	-
IR 850:	850nm
IR 940:	940nm
UV:	380-385nm
RGB:	620nm/525nm/470nm

DESIGN BY	EH LOH	UNIT:	MM
CHECK BY	EH-LOH	REVISION:	02
DATE	08/12/2012	SCALE:	1 : 3
MATERIAL	-	TITLE	DRAWING LAYOUT
FINISHING	-	PART NO	IDT2-00-150-1-X-24V
QTY	-	DWG NO	-

PRODUCT SERIES: IDT2 SERIES



COLOUR:	-	-
VOLTAGE:	-	-
CURRENT:	-	-
POWER:	-	-
SHEET 1 OF 1		