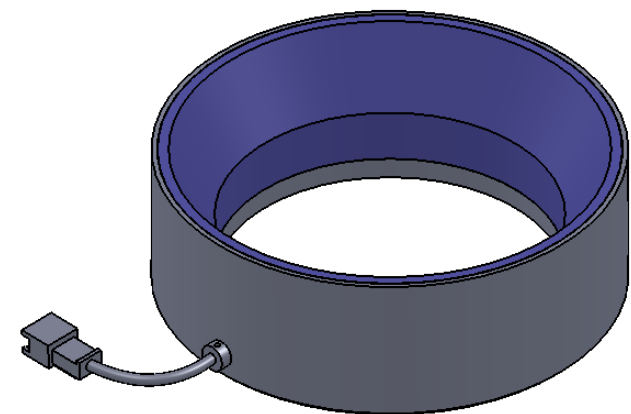
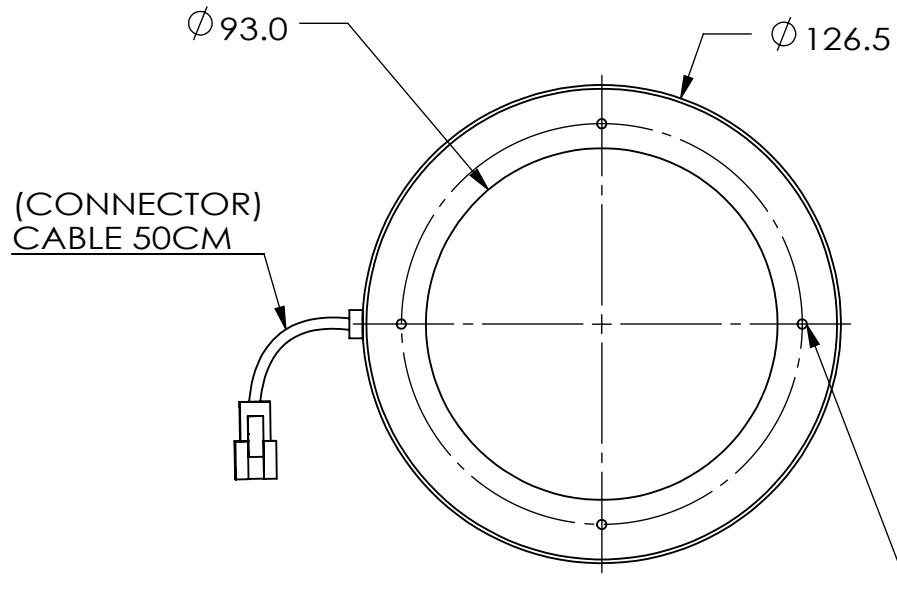
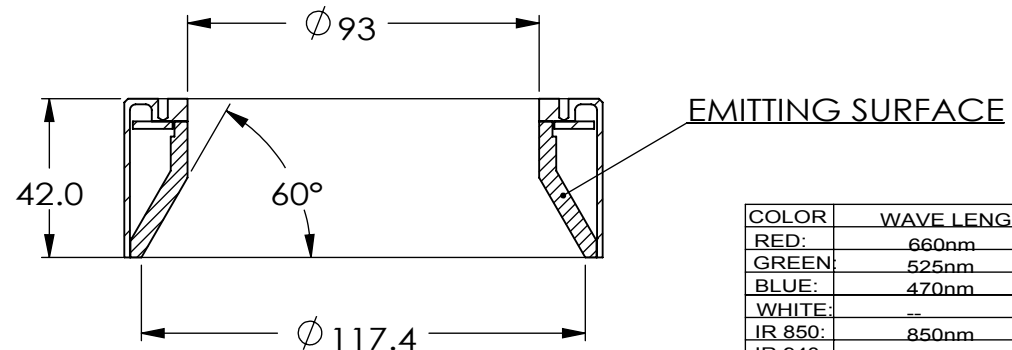
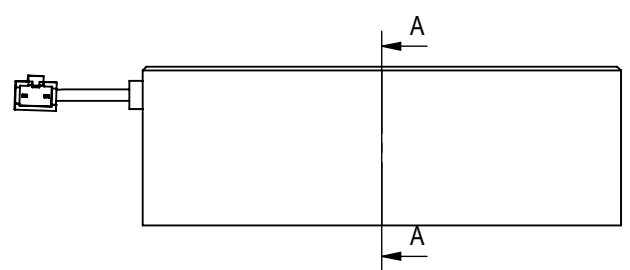


REVISIONS

ZONE	REV.	DESCRIPTIONS	DATE	APP.



4 - TAP M3  $\nabla$  5 N.S AT  $\phi 106$  PCD



COLOR	WAVE LENGHT
RED:	660nm
GREEN:	525nm
BLUE:	470nm
WHITE:	--
IR 850:	850nm
IR 940:	940nm
UV:	380-385nm
RGB:	660nm/525nm/470nm

DESIGN BY	CC OOI	UNIT:	PRODUCT SERIES: DLR SERIES					
CHECK BY	EH-LOH	MM						
DATE	04/12/2012	REVISION:						
MATERIAL	-	01	TITLE	DRAWING LAYOUT	COLOUR:	-	-	-
FINISHING	-	SCALE:	PART NO	DLR2-60-120-2-X-24V	VOLTAGE:	-	-	-
QTY	-	1 : 2	DWG NO	-	CURRENT:	-	-	-
					POWER:	-	-	-
					SHEET 1 OF 1			

