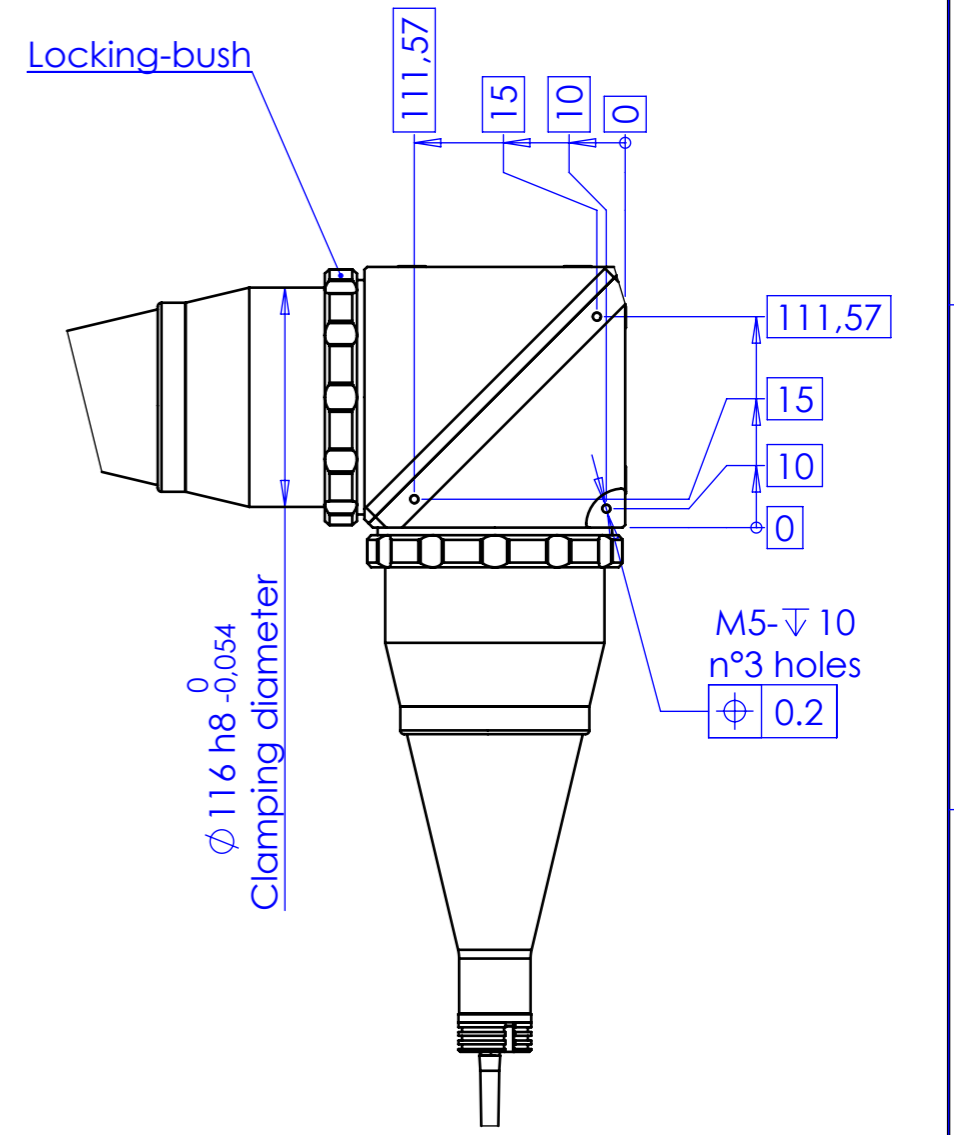
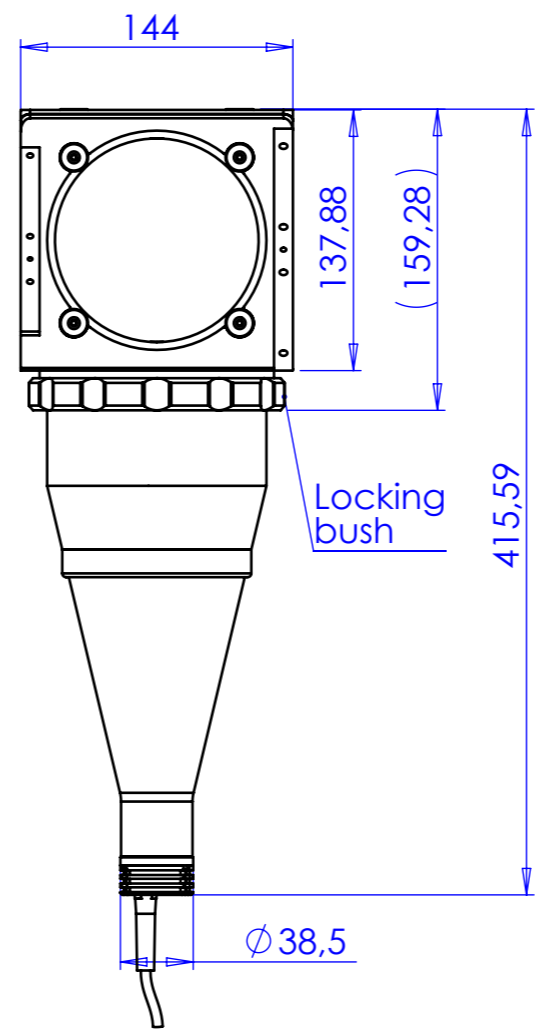
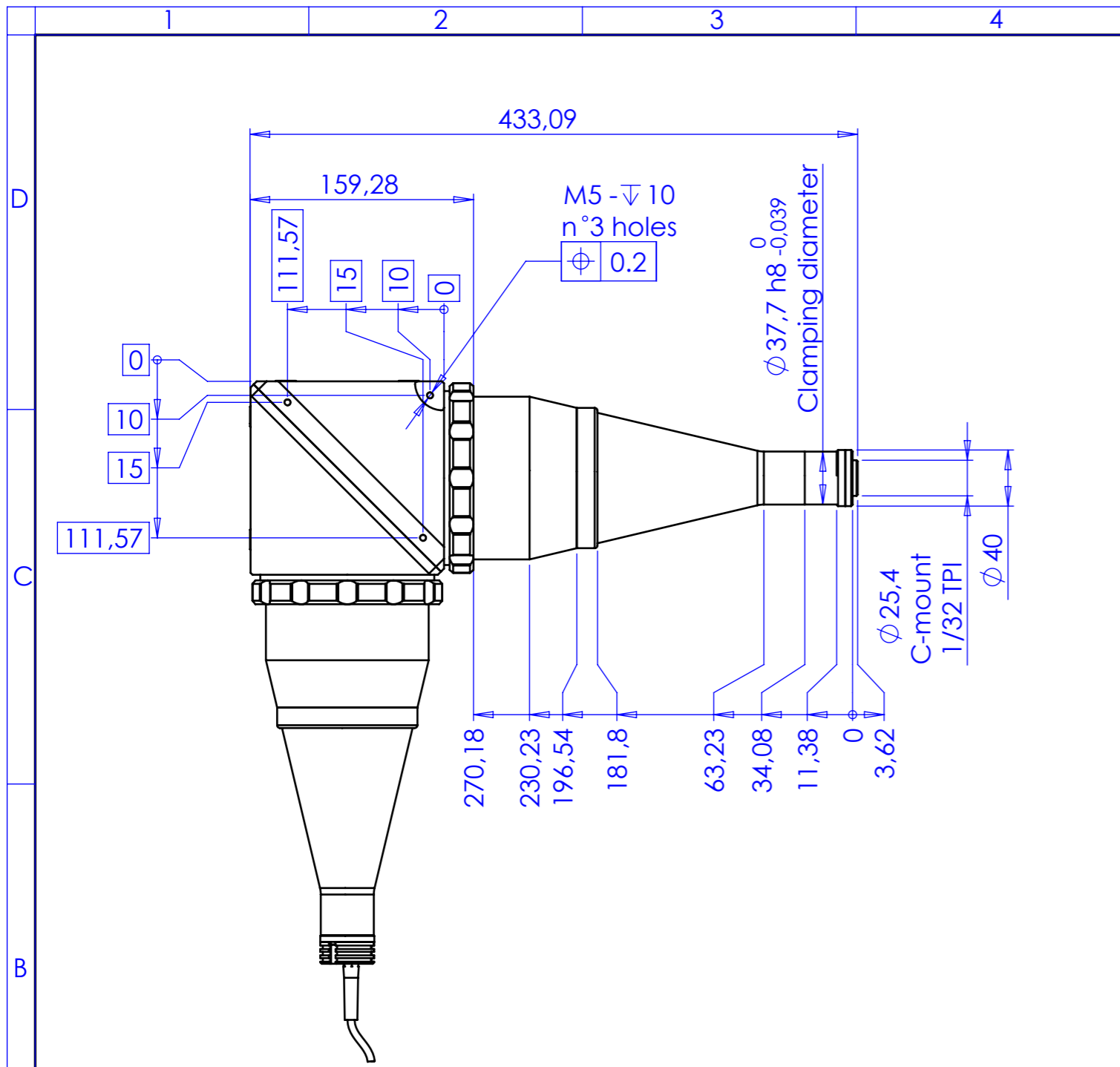


Rev No.	Description	Date	Name
B	approvazione	15/07/2014	Rodella



A

Material	N.A.	Mass	2389 g	Scale	1:4																								
Surface treatment	N.A.	Part No.	CO71663																										
Geometrical tolerance (ISO 2768-2)	Class	K	Undimensioned bevels	0.5x45°	Description TCCXQ011-G																								
Linear tolerance (ISO 2768-2)	Class	m	Undimensioned radii	R 0.5																									
<table border="1"> <tr> <td>0.5 ±3</td> <td>>3± 6</td> <td>>6± 30</td> <td>>30± 120</td> <td>>120 ±400</td> <td>>400± 1000</td> <td>>1000 ±2000</td> <td>>2000 ±4000</td> </tr> <tr> <td>±0.1</td> <td>±0.1</td> <td>±0.2</td> <td>±0.3</td> <td>±0.5</td> <td>±0.8</td> <td>±1.2</td> </tr> <tr> <td colspan="8">all dimensions are in mm</td> </tr> </table>	0.5 ±3	>3± 6	>6± 30	>30± 120	>120 ±400	>400± 1000	>1000 ±2000	>2000 ±4000	±0.1	±0.1	±0.2	±0.3	±0.5	±0.8	±1.2	all dimensions are in mm										Date	Name	Drawing No.	Sheet
	0.5 ±3	>3± 6	>6± 30	>30± 120	>120 ±400	>400± 1000	>1000 ±2000	>2000 ±4000																					
	±0.1	±0.1	±0.2	±0.3	±0.5	±0.8	±1.2																						
all dimensions are in mm																													
OPTO ENGINEERING S.r.l. - Mantova Italy - Tel. +39 0376 699111 - www.opto-engineering.com		Designed	03/07/2014	Rodella	DP 71663-B	1/1																							
		Drawn	04/07/2014	Rodella																									
		Checked																											
<i>Secret and confidential - All rights reserved - No copy, dissemination or circulation is allowed unless specifically authorized in writing by OPTO ENGINEERING S.r.l. - Any violation shall be legally prosecuted.</i>																													