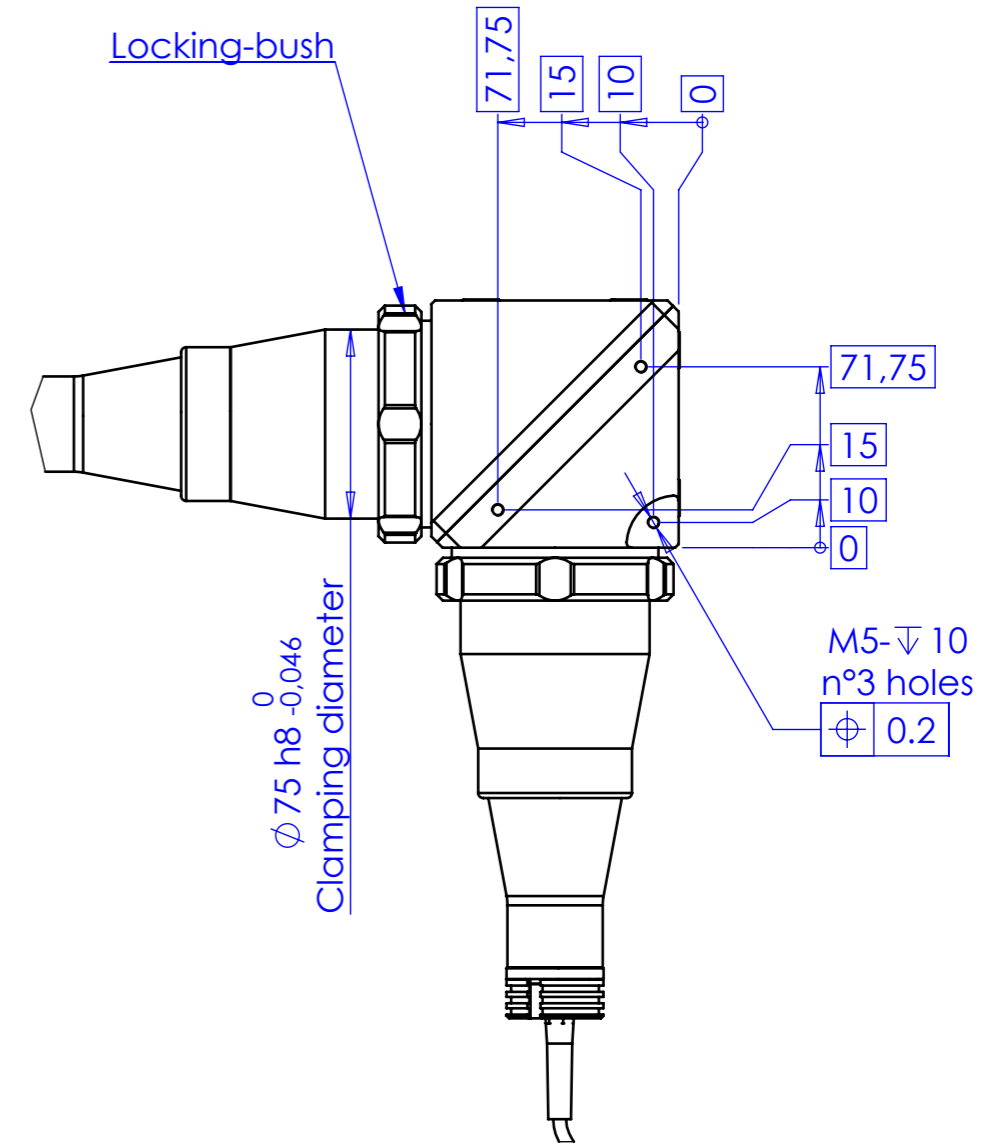
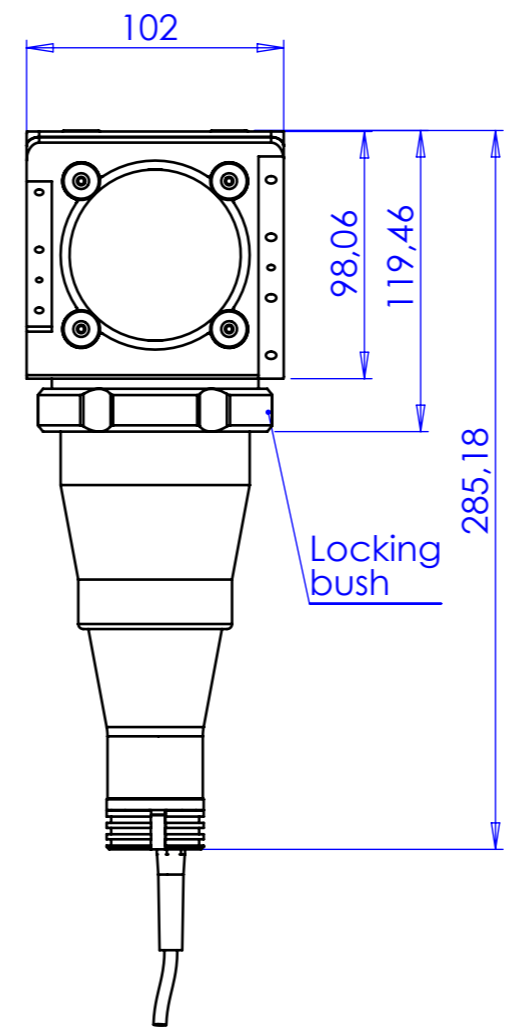
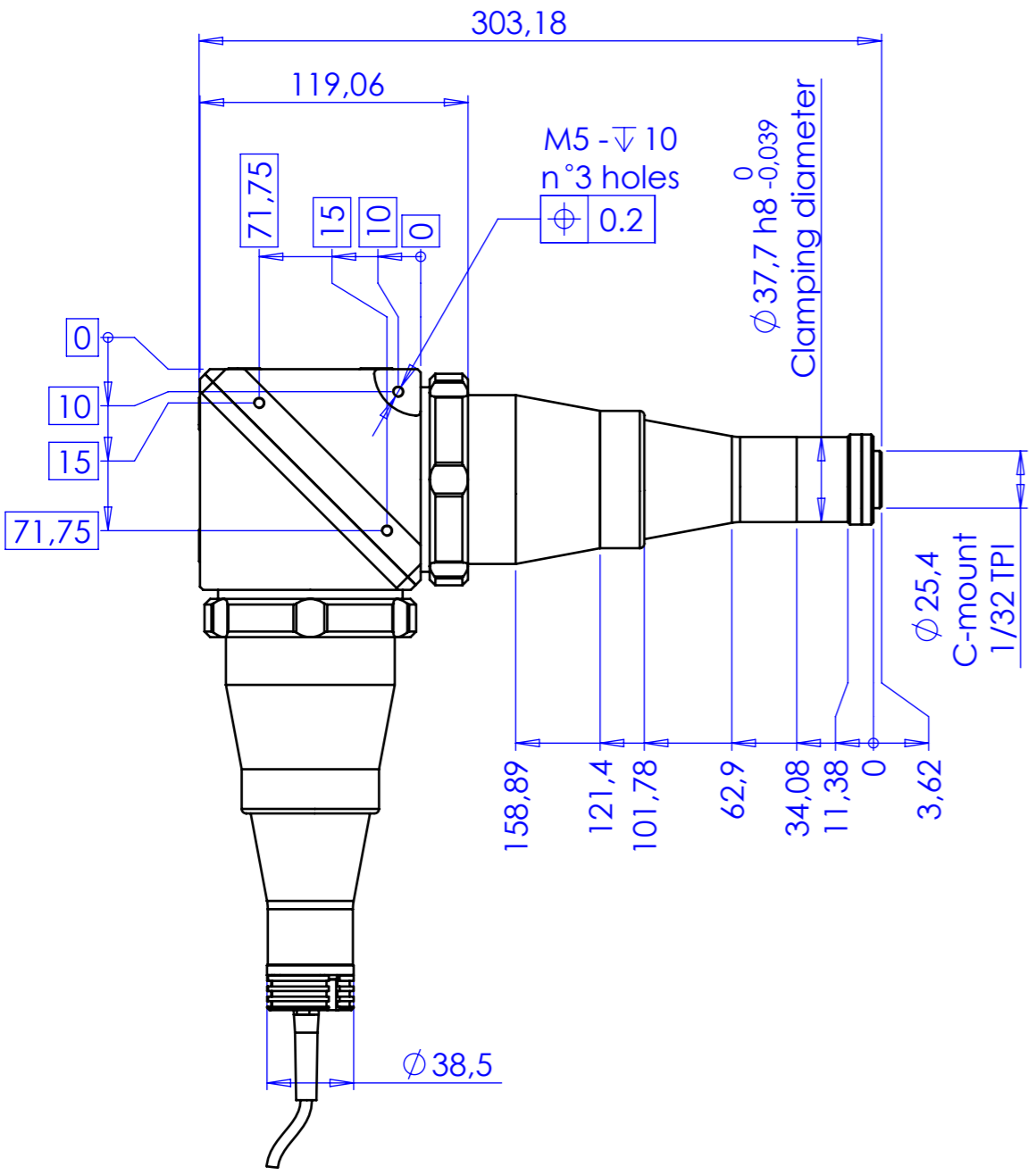


Rev No.	Description	Date	Name
B	approvazione	15/07/2014	Rodella



Material	N.A.		Mass	681 g	Scale	1:3
Surface treatment	N.A.		Part No.	CO71658		
Geometrical tolerance (ISO 2768-2)			Class	K	Undimensioned bevels	0,5x45°
Linear tolerance (ISO 2768-2)			Class	m	Undimensioned radii	R 0,5
0,5	>3	>6	>30	>120	>400	>1000
±3	±6	±30	±120	±400	±1000	±2000
±0,1	±0,1	±0,2	±0,3	±0,5	±0,8	±1,2
Date			Name			
Designed			Rodella			
Drawn			Rodella			
Checked						
Drawing No.			Sheet			
DP 71658-B			1/1			
<i>Secret and confidential - All rights reserved - No copy, dissemination or circulation is allowed unless specifically authorized in writing by OPTO ENGINEERING S.r.l. - Any violation shall be legally prosecuted.</i>						

all dimensions are in mm



OPTO ENGINEERING S.r.l. - Mantova Italy - Tel. +39 0376 699111 - www.opto-engineering.com