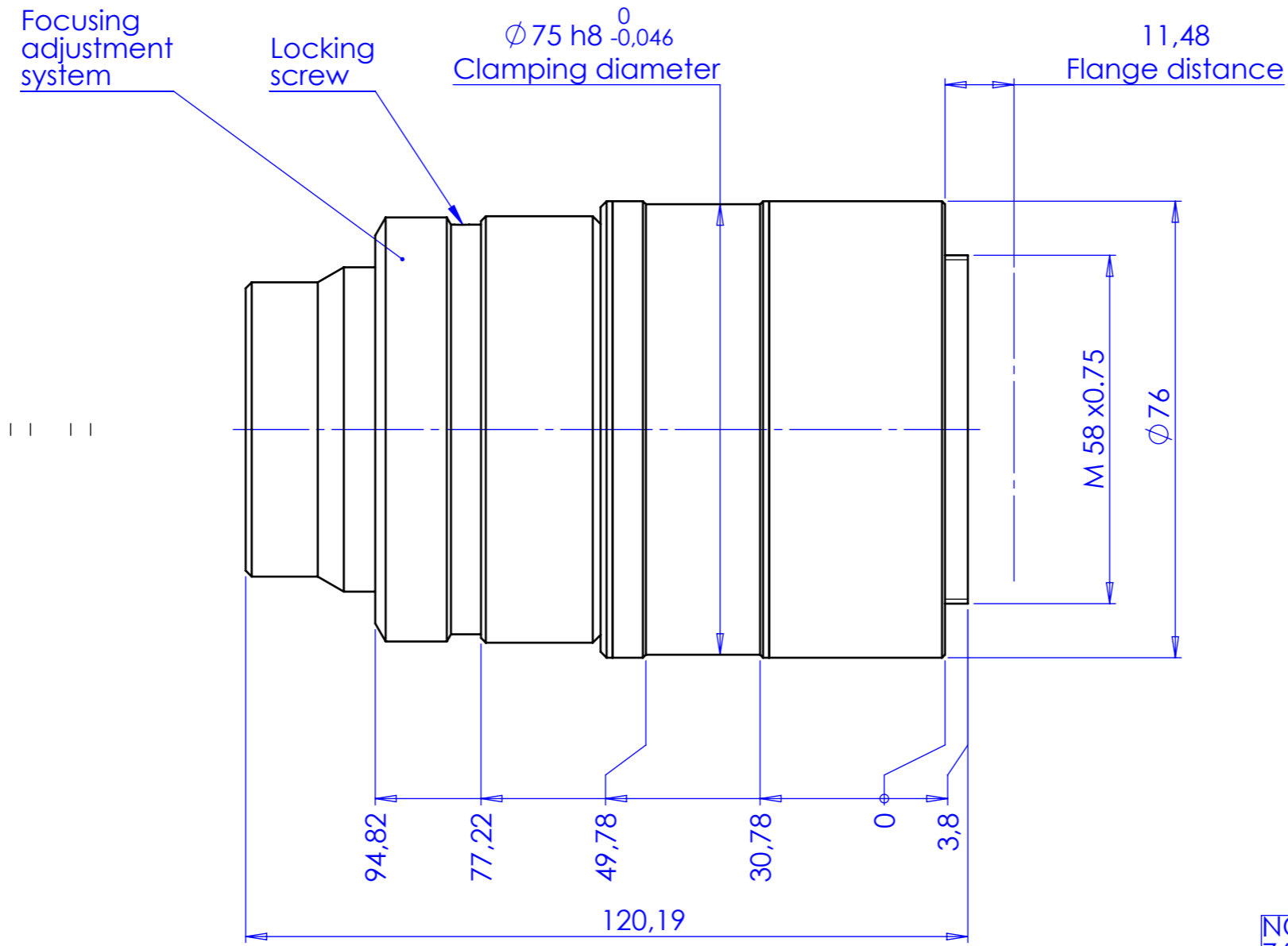


1 2 3 4 5 6 7 8

Rev No.	Description	Date	Name



NOMINAL WORKING DISTANCE  
762,0 mm ±3%

Material		N.A.		Mass		g		Scale		1:1	
Surface treatment				Part No.		CO71557					
Geometrical tolerance (ISO 2768-2)		Class		K		Undimensioned bevels		0,5x45°			
Linear tolerance (ISO 2768-2)		Class		m		Undimensioned radii		R 0.5			
0.5 ±3	>3± 6	>6± 30	>30± 120	>120 ±400	>400± 1000	>1000 ±2000	>2000 ±4000	Description			
±0.1	±0.1	±0.2	±0.3	±0.5	±0.8	±1.2	±2	MC12K012X-I			
		Date		Name		Drawing No.		Sheet			
		18/06/2014		Santini		DP 71557-A		1/1			
		18/06/2014		Rodella							
<p>all dimensions are in mm</p> <p><b>OPTO ENGINEERING</b> THE TELECENTRIC COMPANY</p> <p><b>OPTO ENGINEERING S.r.l. - Mantova Italy - Tel. +39 0376 699111 - www.opto-engineering.com</b></p> <p><i>Secret and confidential - All rights reserved - No copy, dissemination or circulation is allowed unless specifically authorized in writing by OPTO ENGINEERING S.r.l. - Any violation shall be legally prosecuted.</i></p>											

1 2 3 4 5 6 7 8

0 1 2 3 4 5 6 7 8 9 10