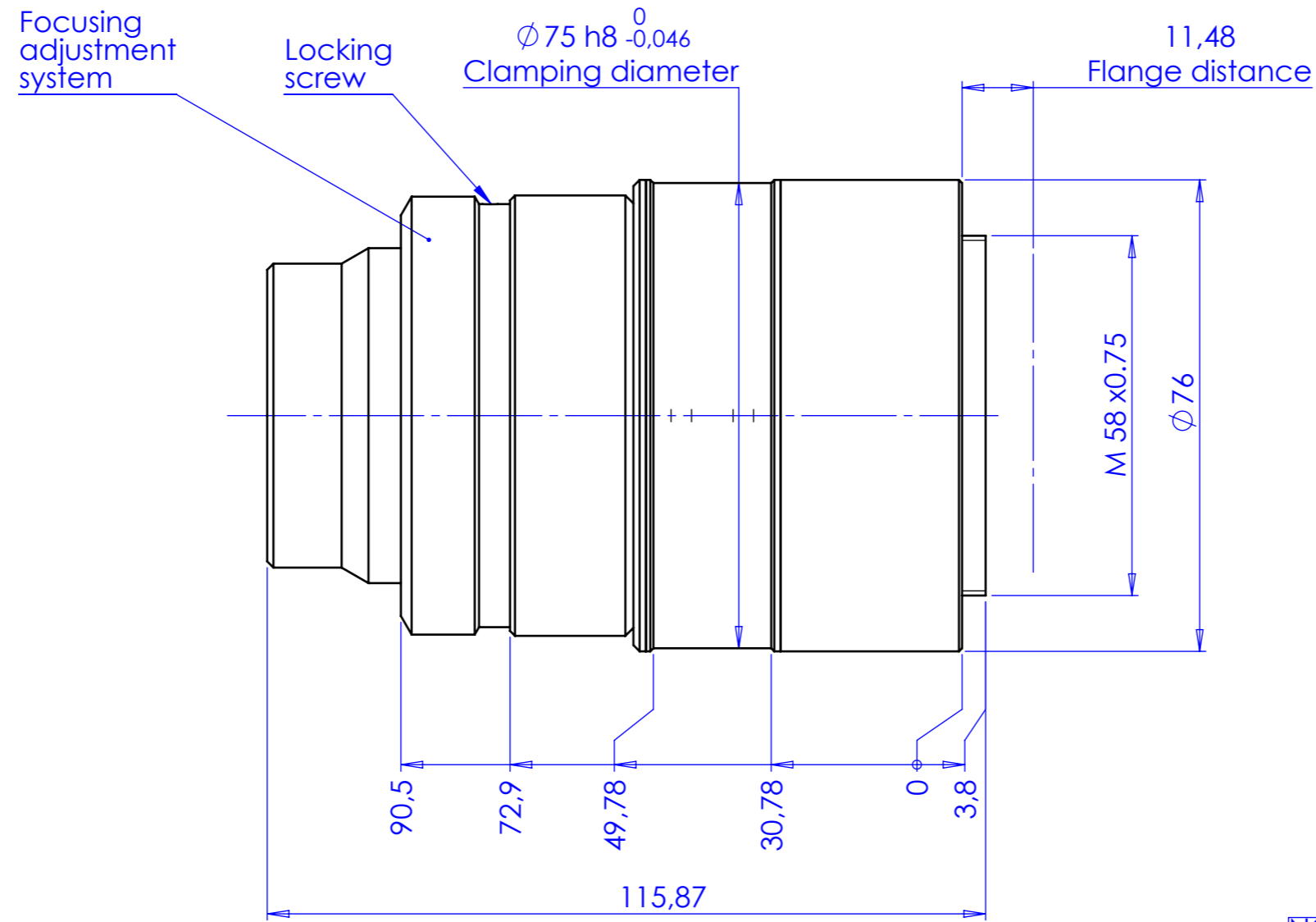


1 2 3 4 5 6 7 8

Rev No.	Description	Date	Name



NOMINAL WORKING DISTANCE
1102,5 mm ±3%

Material	N.A.			Mass	g	Scale	1:1
Surface treatment	N.A.			Part No.	CO71556		
Geometrical tolerance (ISO 2768-2)			Class	K	Description		
Linear tolerance (ISO 2768-2)			Class	m	Undimensioned bevels	0,5x45°	MC12K008X-I
0,5 ±3	>3± 6	>6± 30	>30± 120	>120 ±400	>400± 1000	>1000 ±2000	
±0,1	±0,1	±0,2	±0,3	±0,5	±0,8	±1,2	±2
Undimensioned radii			R 0,5		Drawing No.		
 OPTO ENGINEERING THE TELECENTRIC COMPANY OPTO ENGINEERING S.r.l. - Mantova Italy - Tel. +39 0376 699111 - www.opto-engineering.com			Date	Name	Sheet		
			Designed	18/06/2014	Santini	DP 71556-A	
			Drawn	18/06/2014	Rodella	1/1	
Secret and confidential - All rights reserved - No copy, dissemination or circulation is allowed unless specifically authorized in writing by OPTO ENGINEERING S.r.l. - Any violation shall be legally prosecuted.							

1 2 3 4 5 6 7 8

0 1 2 3 4 5 6 7 8 9 10