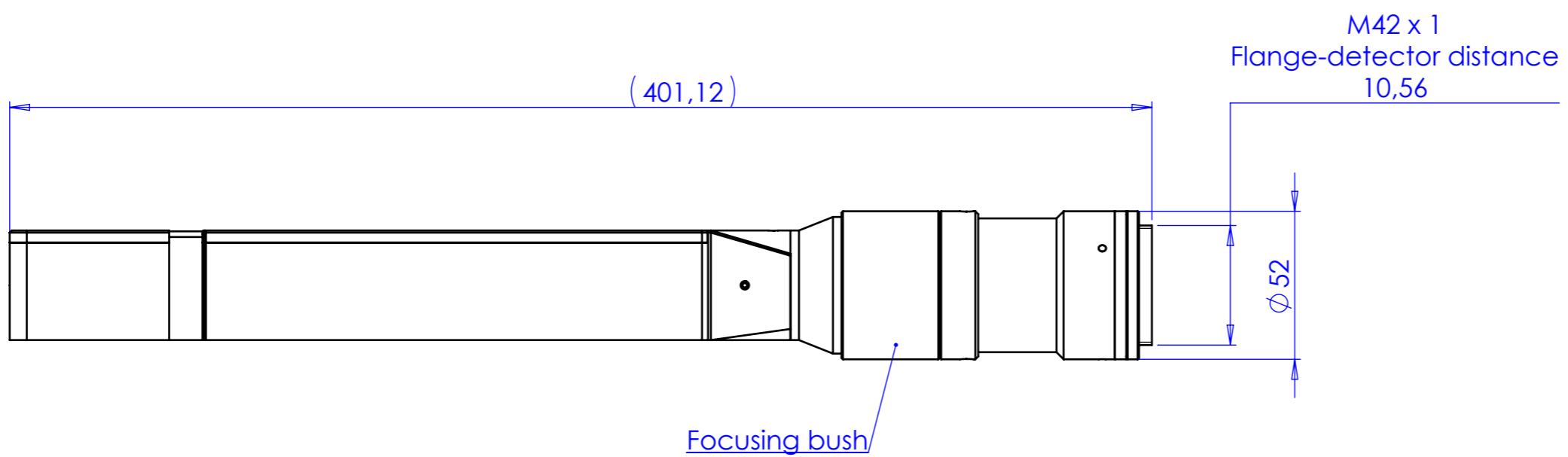
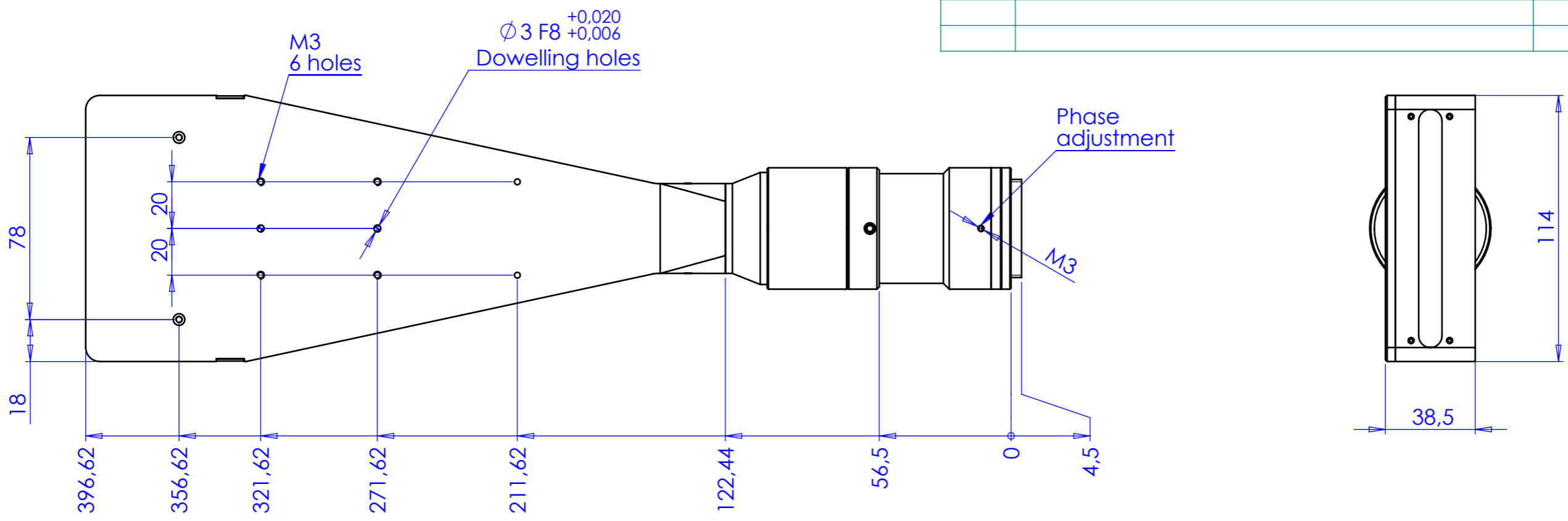


Rev No.	Description	Date	Name



Material	N.A.			Mass	1938.3 g	Scale	1:2
Surface treatment	N.A.			Part No.	CO71527		
Geometrical tolerance (ISO 2768-2)			Class	K	Description		
Linear tolerance (ISO 2768-2)			Class	m	Undimensioned bevels	0,5x45°	TC4K090-N
0.5 ±3	>3± 6	>6± 30	>30± 120	>120 ±400	>400± 1000	>1000 ±2000	
±0.1	±0.1	±0.2	±0.3	±0.5	±0.8	±1.2	±2
Undimensioned radii			R 0.5		Drawing No.		
 OPTO ENGINEERING <small>THE TELECENTRIC COMPANY</small>			Date	Name	Drawing No.		Sheet
			Designed	16/04/2014	Santini	DP 71527-A	1/1
			Drawn	23/05/2014	Rodella		
Checked			<small>Secret and confidential - All rights reserved - No copy, dissemination or circulation is allowed unless specifically authorized in writing by OPTO ENGINEERING S.r.l. - Any violation shall be legally prosecuted.</small>				
OPTO ENGINEERING S.r.l. - Mantova Italy - Tel. +39 0376 699111 - www.opto-engineering.com							

D
C
B
A

D
C
B
A

1 2 3 0 1 2 3 4 5 6 7 8 9 10 6 7 8

0 1 2 3 4 5 6 7 8 9 10