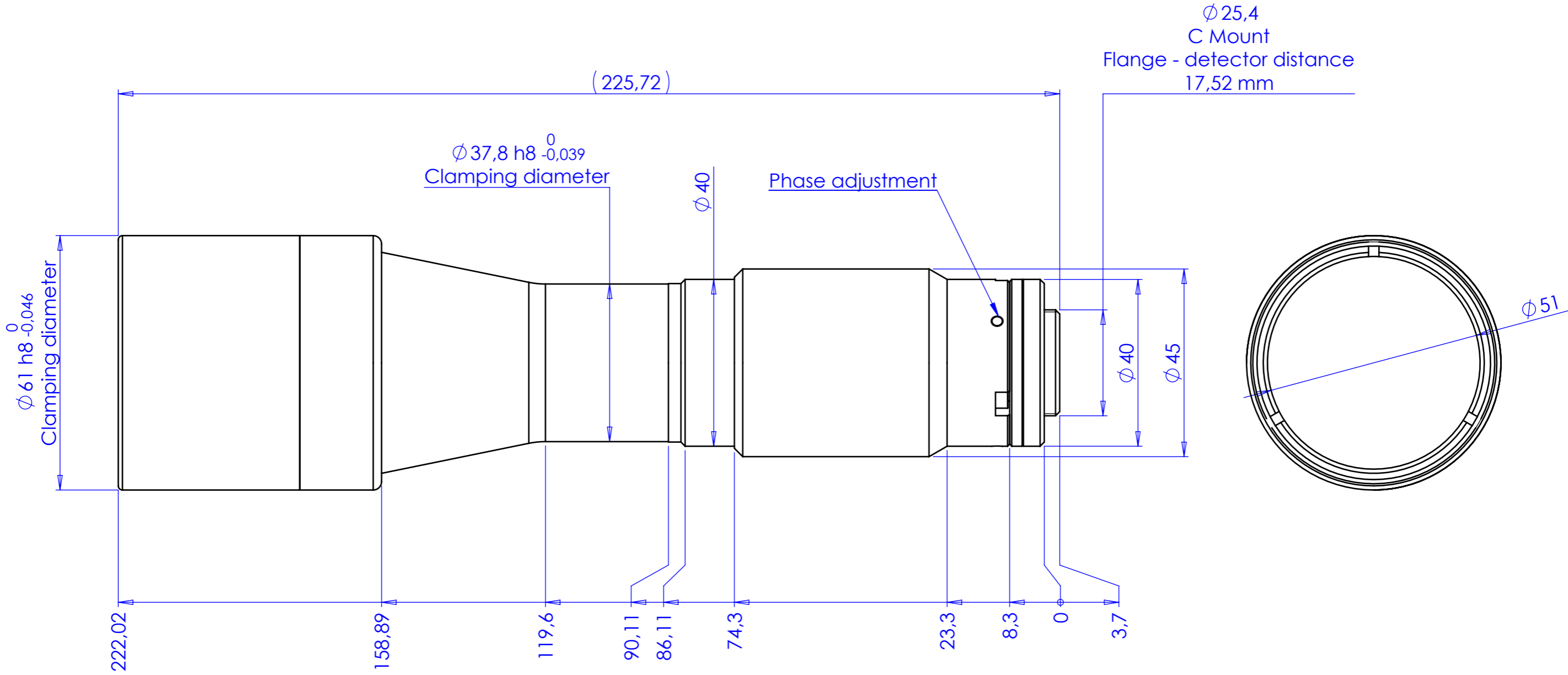


Rev No.	Description	Date	Name
B	Variazione nome	08/07/2014	Vasconetto



Material	N.A.		Mass	633 g	Scale	1:1
Surface treatment	N.A.		Part No.	CO71426		
Geometrical tolerance (ISO 2768-2)	Class	K	Undimensioned bevels	0,5x45°	Description	
Linear tolerance (ISO 2768-2)	Class	m	Undimensioned radii	R 0.5	TC4MHR036-C	
0.5 ±3	>3÷ 6	>6÷ 30	>30÷ 120	>120 ±400	>400÷ 1000	>1000 ±2000
±0.1	±0.1	±0.2	±0.3	±0.5	±0.8	±1.2
			Date	Name	Drawing No.	Sheet
			Designed	04/04/2014	Vasconetto	DP 71426-B
			Drawn	05/06/2014	Rodella	
			Checked			
all dimensions are in mm OPTO ENGINEERING S.r.l. - Mantova Italy - Tel. +39 0376 699111 - www.opto-engineering.com						
Secret and confidential - All rights reserved - No copy, dissemination or circulation is allowed unless specifically authorized in writing by OPTO ENGINEERING S.r.l. - Any violation shall be legally prosecuted.						