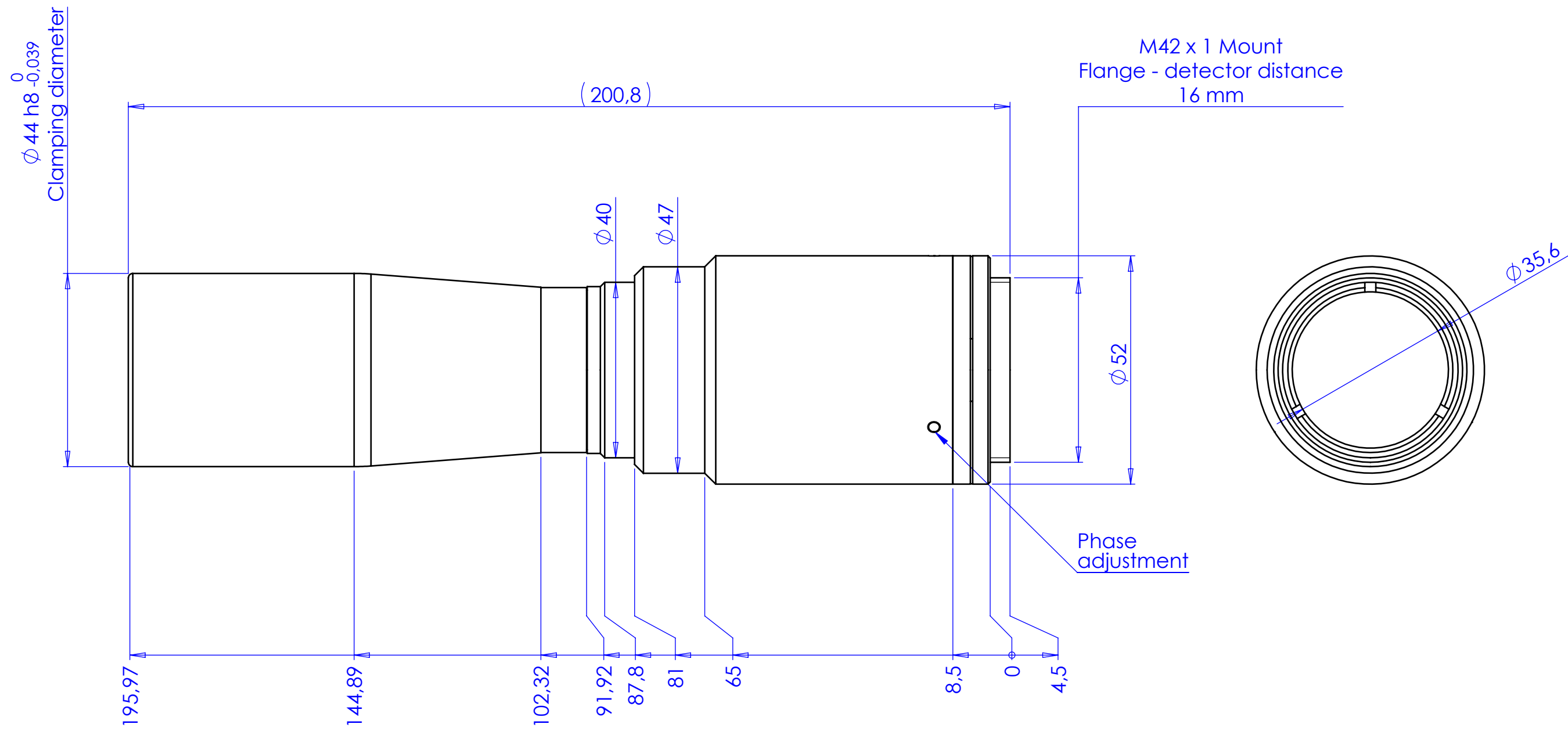


| Rev No. | Description | Date | Name |
|---------|-----------------|------------|------------|
| B | Variazione nome | 08/07/2014 | Vasconetto |
| | | | |



| | | | | | | |
|---|------|------|------------|------------|----------------------|---------|
| Material | N.A. | | Mass | 580 g | Scale | 1:1 |
| Surface treatment | N.A. | | Part No. | CO71425 | | |
| Geometrical tolerance (ISO 2768-2) | | | Class | K | Undimensioned bevels | 0,5x45° |
| Linear tolerance (ISO 2768-2) | | | Class | m | Undimensioned radii | R 0,5 |
| 0,5 | >3 | >6 | >30 | >120 | >400 | >1000 |
| ±3 | ±6 | ±30 | ±120 | ±400 | ±1000 | ±2000 |
| ±0,1 | ±0,1 | ±0,2 | ±0,3 | ±0,5 | ±0,8 | ±1,2 |
| ±0,1 | ±0,1 | ±0,2 | ±0,3 | ±0,5 | ±0,8 | ±1,2 |
| Date | | | Name | | | |
| Designed | | | 04/04/2014 | Vasconetto | | |
| Drawn | | | 05/06/2014 | Rodella | | |
| Checked | | | | | | |
| Drawing No. | | | Sheet | | | |
| DP 71425-B | | | 1/1 | | | |
| <i>Secret and confidential - All rights reserved - No copy, dissemination or circulation is allowed unless specifically authorized in writing by OPTO ENGINEERING S.r.l. - Any violation shall be legally prosecuted.</i> | | | | | | |

all dimensions are in mm



OPTO ENGINEERING S.r.l. - Mantova Italy - Tel. +39 0376 699111 - www.opto-engineering.com

A B C D

A B C D

1 2 3 4 5 6 7 8

1 2 3 4 5 6 7 8

0 1 2 3 4 5 6 7 8 9 10