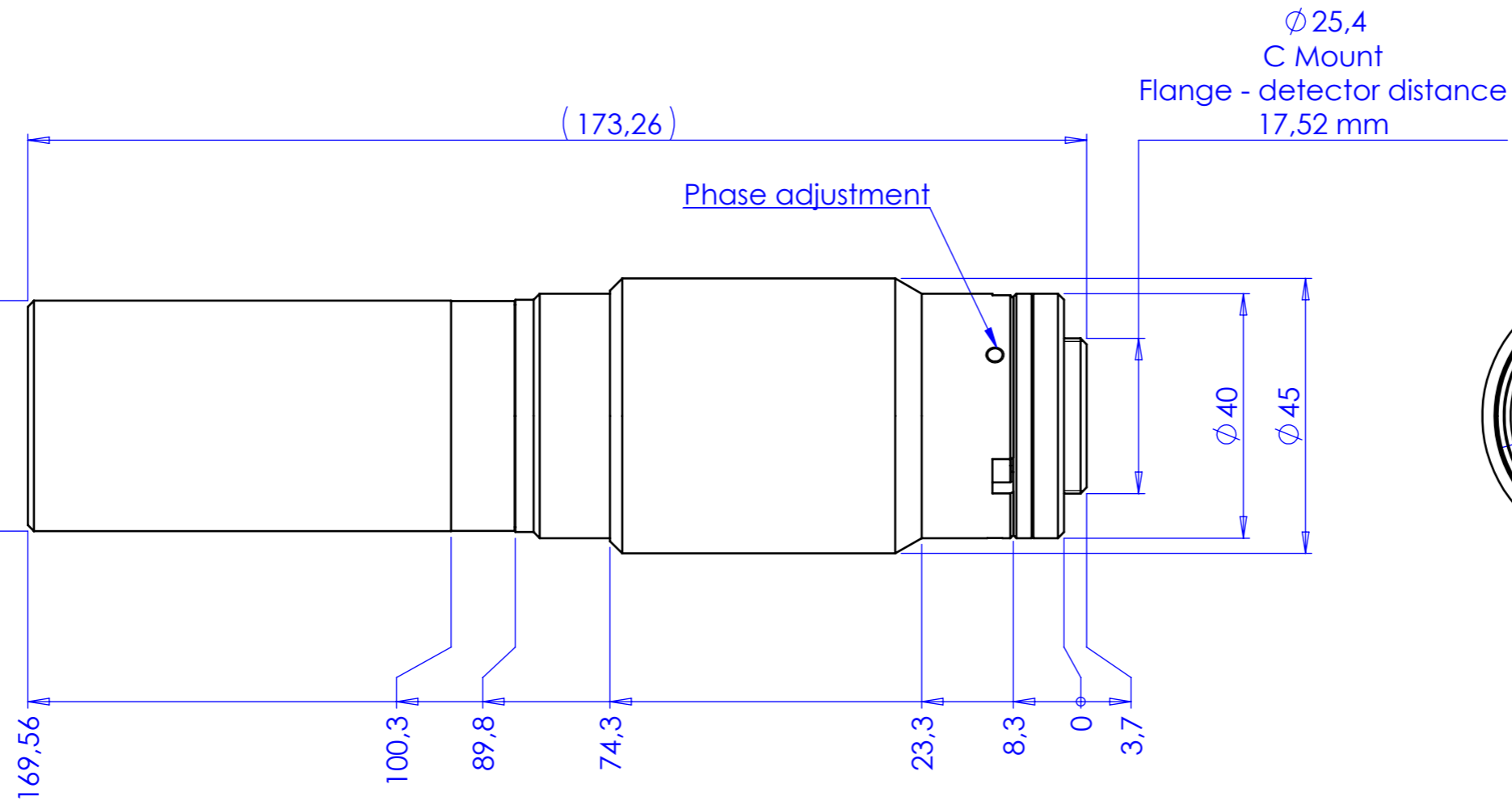


Rev No.	Description	Date	Name
B	Variazione nome	08/07/2014	Vasconetto

$\phi 37,7 \text{ h}8 \text{ } ^0_{-0,039}$
Clamping diameter



Material	N.A.		Mass	430 g	Scale	1:1	
Surface treatment	N.A.		Part No.	CO71420			
Geometrical tolerance (ISO 2768-2)			Class	K	Description		
Linear tolerance (ISO 2768-2)			Class	m	Undimensioned bevels	0,5x45°	
0,5 ±3	>3± 6	>6± 30	>30± 120	>120 ±400	>400± 1000	>1000 ±2000	
±0,1	±0,1	±0,2	±0,3	±0,5	±0,8	±1,2	
			Undimensioned radii	R 0,5			
<p>all dimensions are in mm</p>			Date	Name	Drawing No.	Sheet	
			Designed	04/04/2014	Vasconetto	DP 71420-B	1/1
			Drawn	05/06/2014	Rodella		
<p>OPTO ENGINEERING S.r.l. - Mantova Italy - Tel. +39 0376 699111 - www.opto-engineering.com</p>			<p>Secret and confidential - All rights reserved - No copy, dissemination or circulation is allowed unless specifically authorized in writing by OPTO ENGINEERING S.r.l. - Any violation shall be legally prosecuted.</p>				