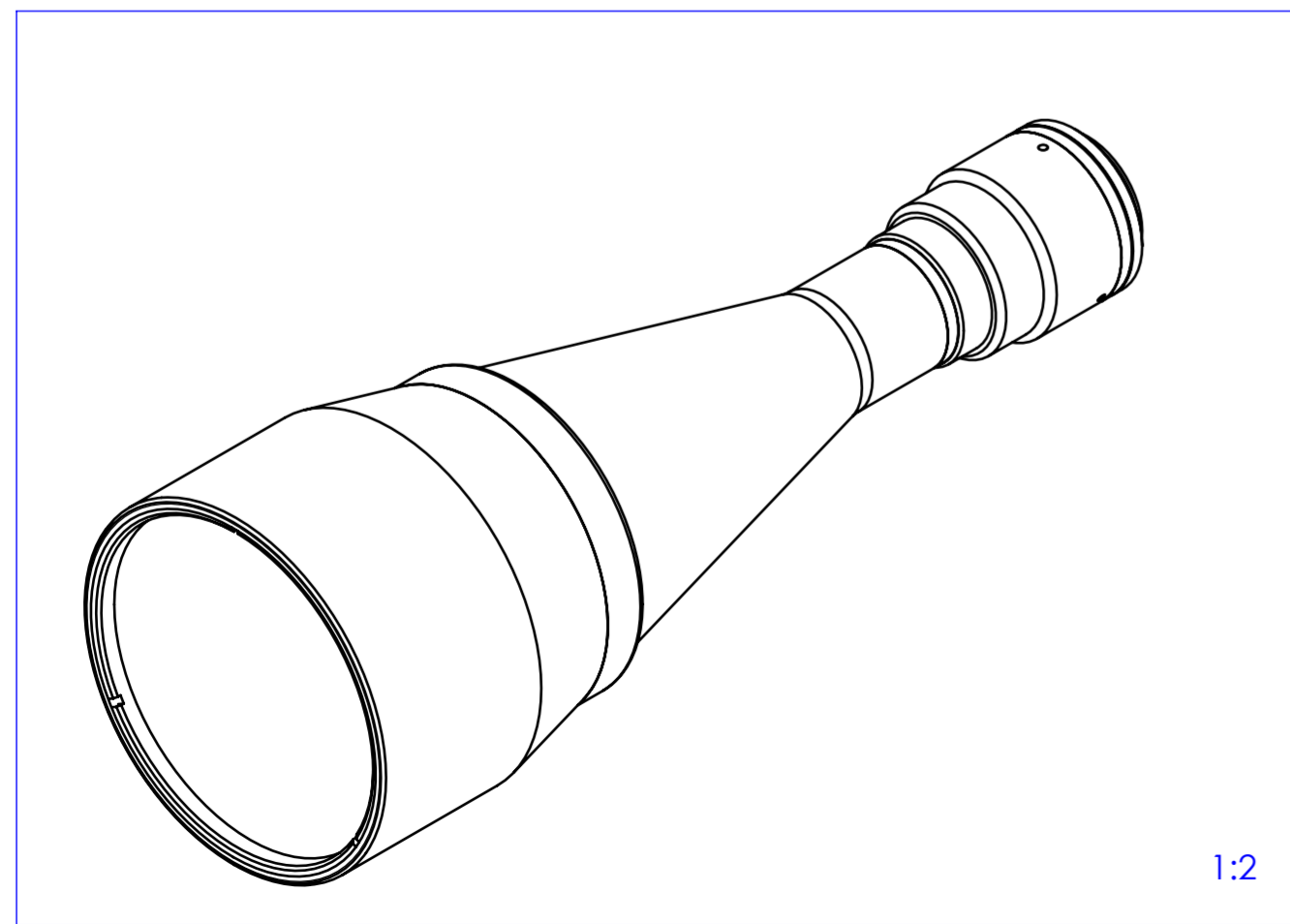
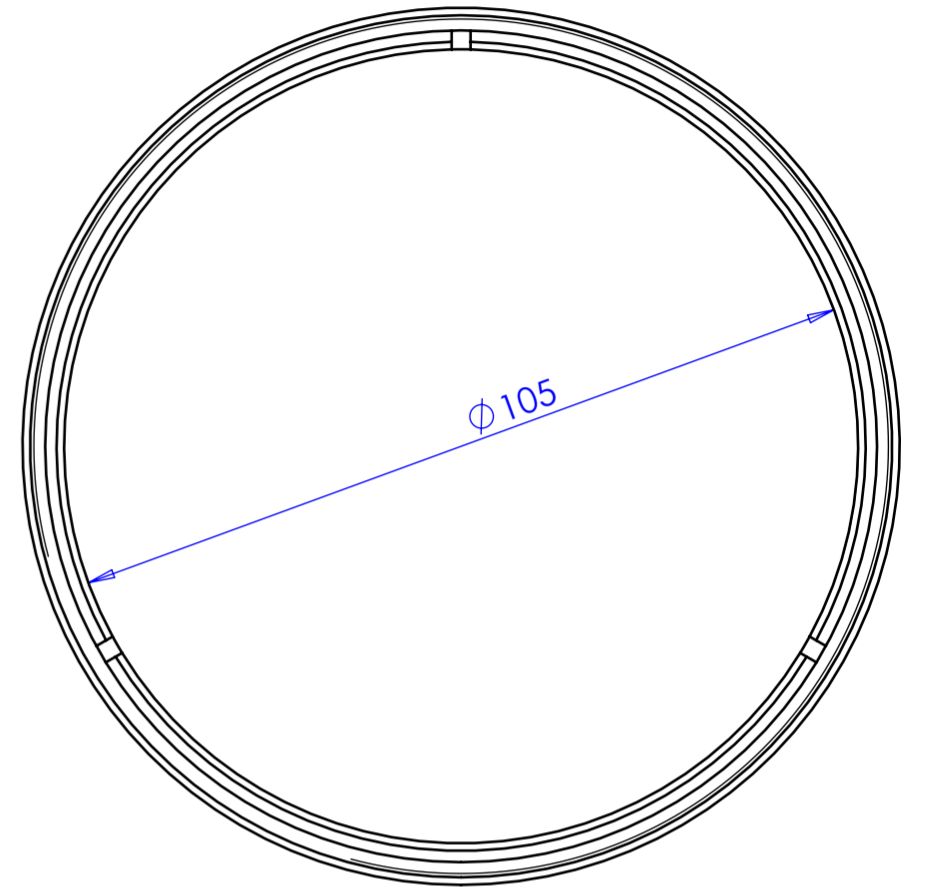
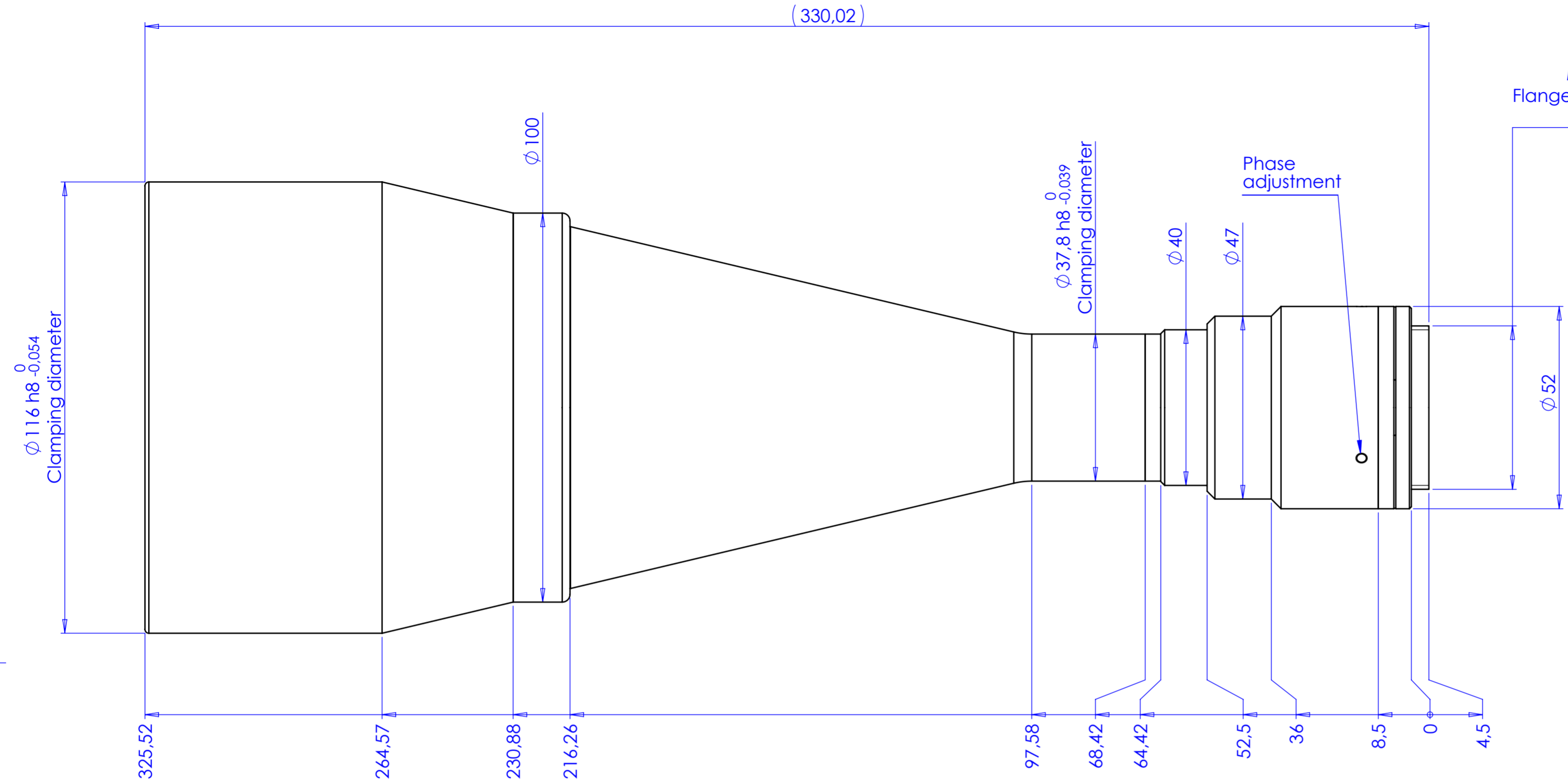


Rev No.	Description	Date	Name
B	Variazione nome	08/07/2014	Vasconetto



Material	N.A.	Mass	1599 g	Scale	1:1
Surface treatment	N.A.	Part No.	CO71404		
Geometrical tolerance (ISO 2768-2)	Class		K	Undimensioned bevels	0.5x45°
Linear tolerance (ISO 2768-2)	Class		m	Undimensioned radii	R 0.5
0.5	>3+	>6+	>30+	>120	>400+
+3	6	30	120	+400	1000
±0.1	±0.1	±0.2	±0.3	±0.5	±0.8
					±1.2
					±2
Date		Name			
Designed		Vasconetto			
Drawn		Rodella			
Checked					
Drawing No.		Sheet			
DP 71404-B		1/1			
<small>Secret and confidential - All rights reserved - No copy, dissemination or circulation is allowed unless specifically authorized in writing by OPTO ENGINEERING S.r.l. - Any violation shall be legally prosecuted.</small>					

OPTO ENGINEERING S.r.l. - Mantova Italy - Tel. +39 0376 699111 - www.opto-engineering.com