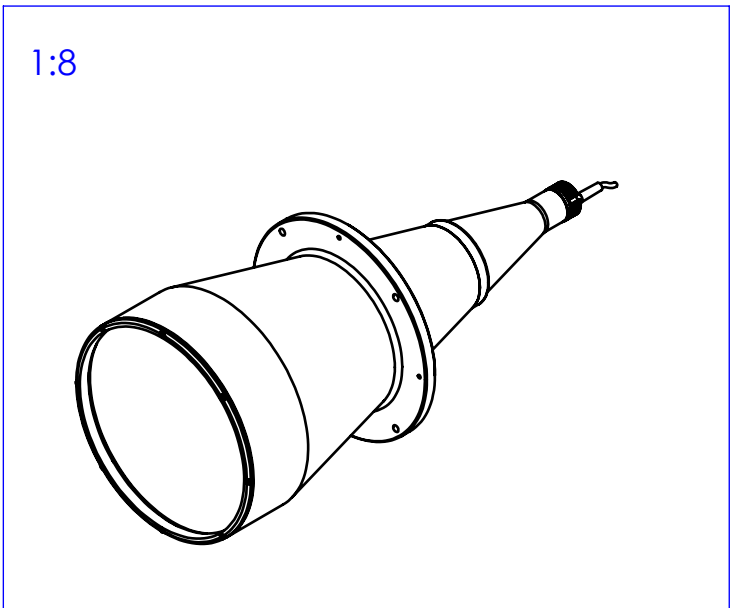
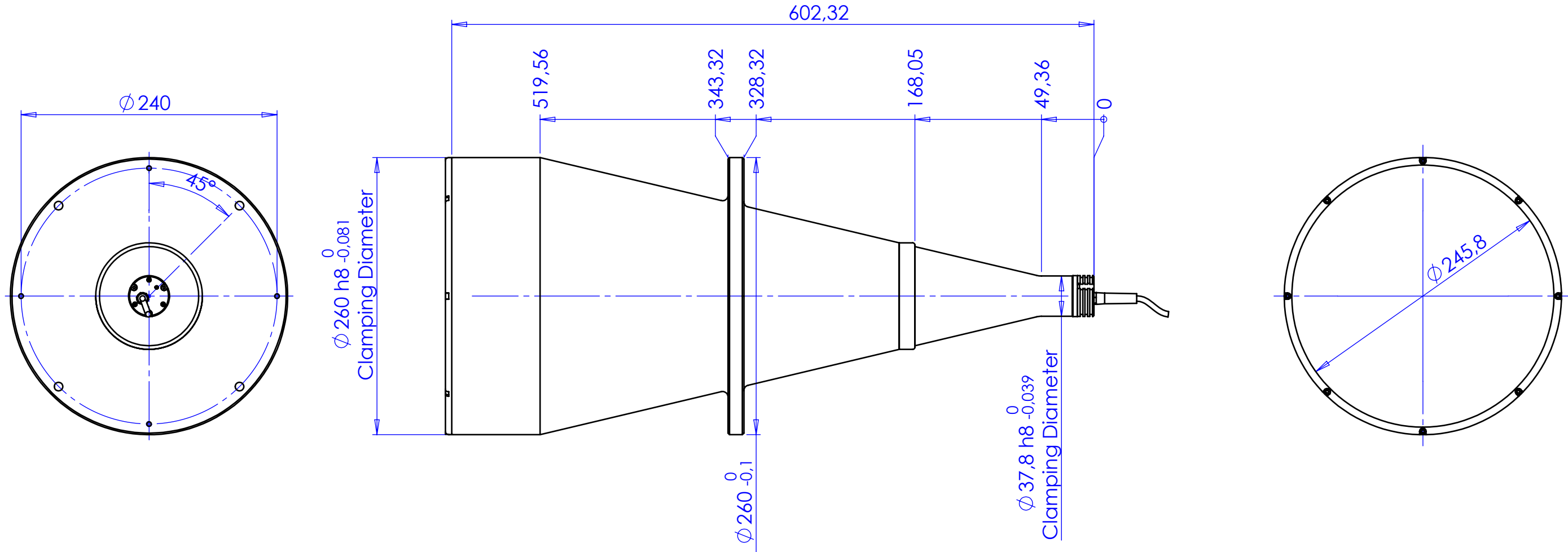


Rev No.	Description	Date	Name



Material	N.A.	Mass	9799 g	Scale	1:4						
Surface treatment	N.A.	Part No.	-								
Geometrical tolerance (ISO 2768-2)	Class	K	Undimensioned bevels	0,5x45°	Description <b>LTCLHP192-W/R/G</b>						
Linear tolerance (ISO 2768-2)	Class	m	Undimensioned radii	R 0.5							
0.5 ±3	>3± 6	>6± 30	>30± 120	>120 ±400	>400± 1000	>1000 ±2000	>2000 ±4000	Date	Name	Drawing No.	Sheet
±0.1	±0.1	±0.2	±0.3	±0.5	±0.8	±1.2	±2	19/02/2014	A.Vasconetto	DP 60743-A	1/1
								19/02/2014	P.Rodella	<i>Secret and confidential - All rights reserved - No copy, dissemination or circulation is allowed unless specifically authorized in writing by OPTO ENGINEERING S.r.l. - Any violation shall be legally prosecuted.</i>	
<b>OPTO ENGINEERING S.r.l. - Mantova Italy - Tel. +39 0376 699111 - www.opto-engineering.com</b>											