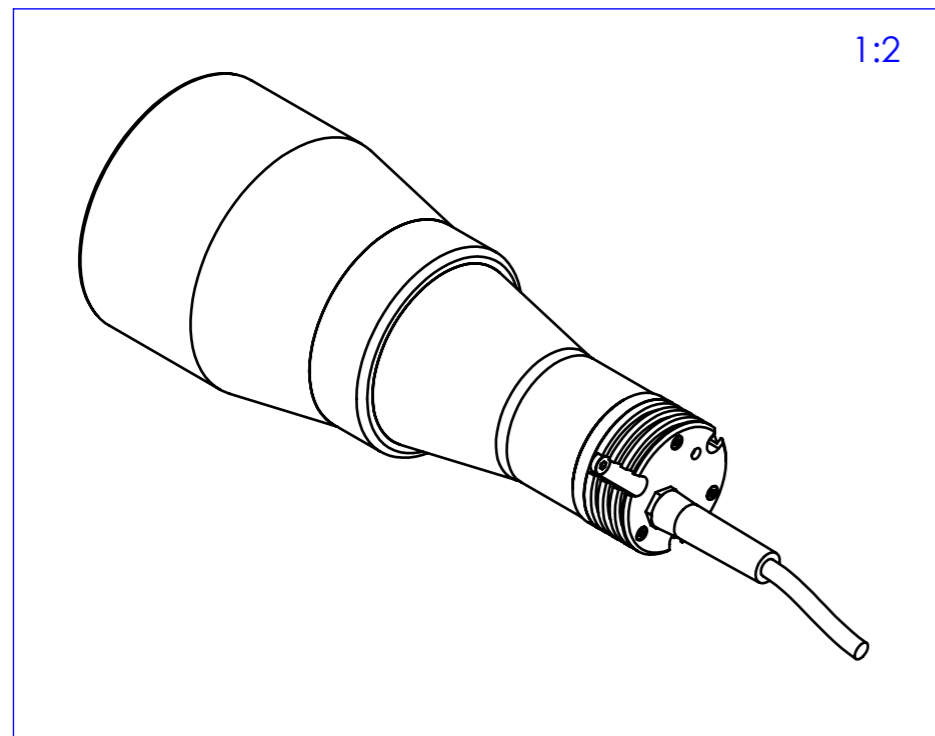
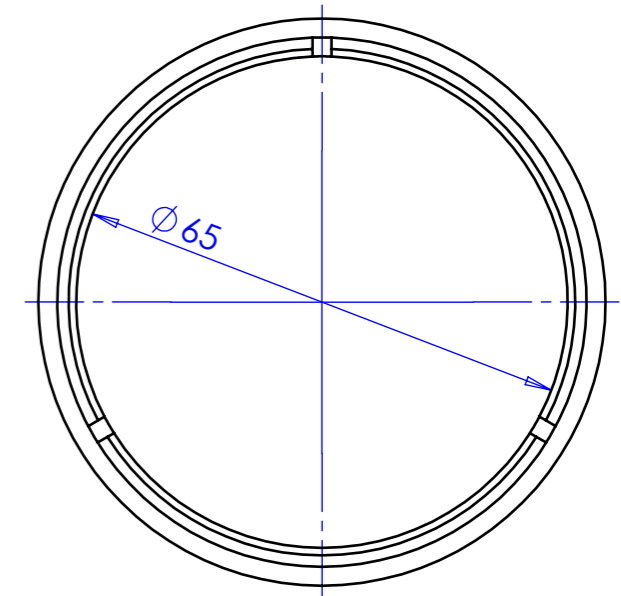
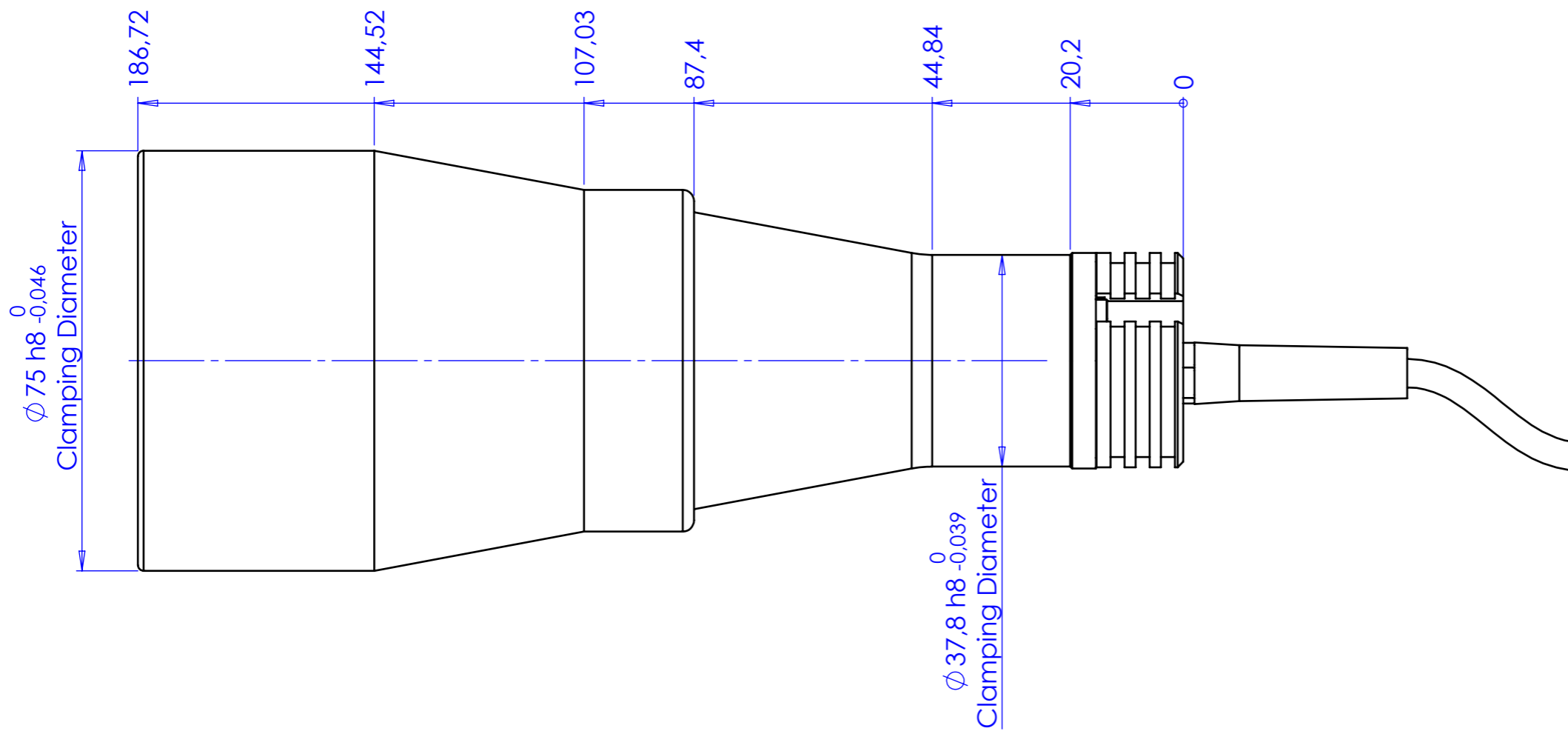


Rev No.	Description	Date	Name



Material		N.A.		Mass		585 g		Scale		1:1			
Surface treatment		N.A.		Part No.		-		Description		LTCLHP048-W/R/G/B			
Geometrical tolerance (ISO 2768-2)				Class	K	Undimensioned bevels		0,5x45°		Drawing No.			
Linear tolerance (ISO 2768-2)				Class	m	Undimensioned radii		R 0.5		Sheet			
0.5	>3÷	>6÷	>30÷	>120	>400÷	>1000	>2000	Date		Name			
±3	6	30	120	±400	±1000	±2000	±4000	19/02/2014		A.Vasconetto			
±0.1	±0.1	±0.2	±0.3	±0.5	±0.8	±1.2	±2	19/02/2014		P.Rodella			
				Designed		Date		Name		Drawing No.			
				Drawn		19/02/2014		P.Rodella		DP 60719-A		Sheet	
				Checked						1/1			
all dimensions are in mm OPTO ENGINEERING S.r.l. - Mantova Italy - Tel. +39 0376 699111 - www.opto-engineering.com													
Secret and confidential - All rights reserved - No copy, dissemination or circulation is allowed unless specifically authorized in writing by OPTO ENGINEERING S.r.l. - Any violation shall be legally prosecuted.													