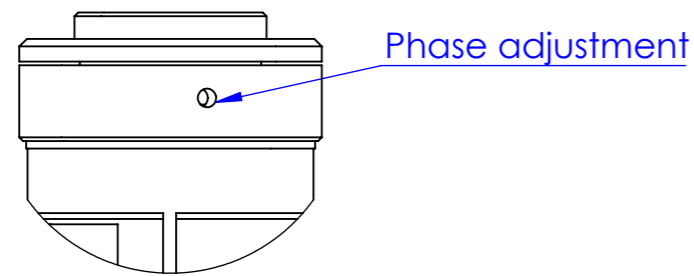
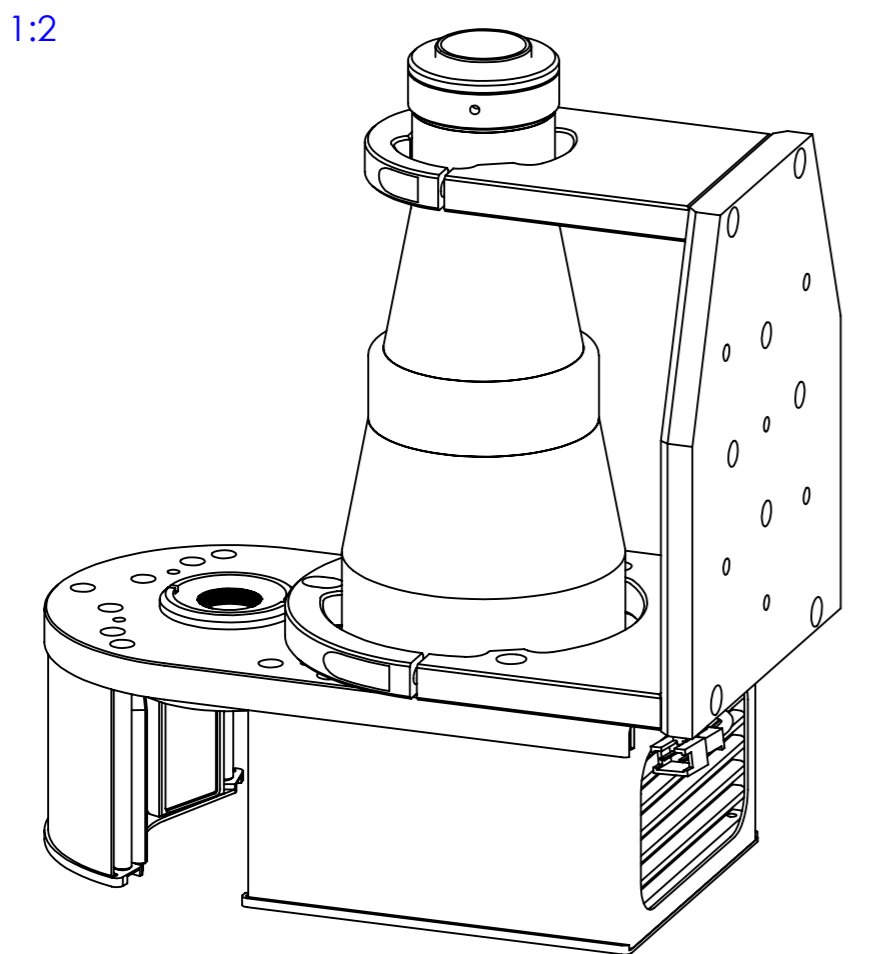
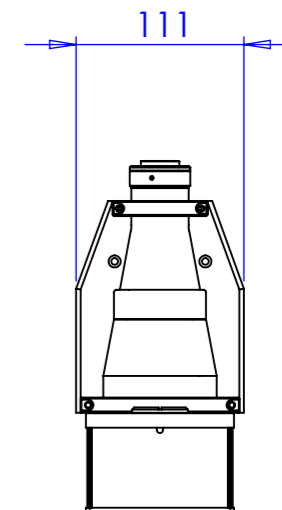
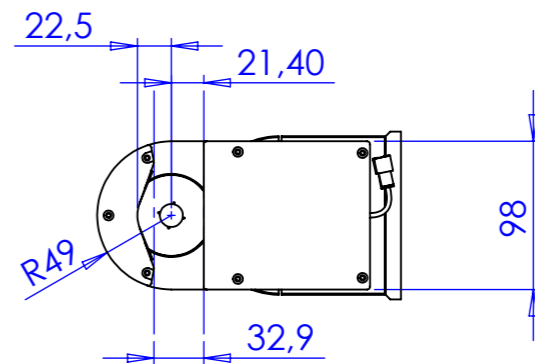
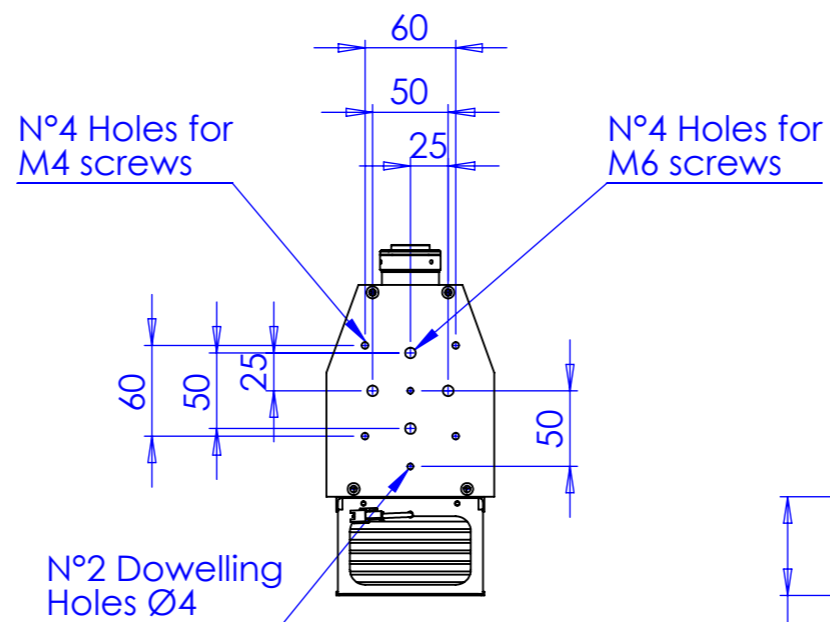


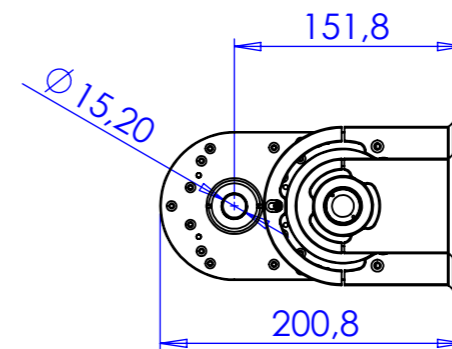
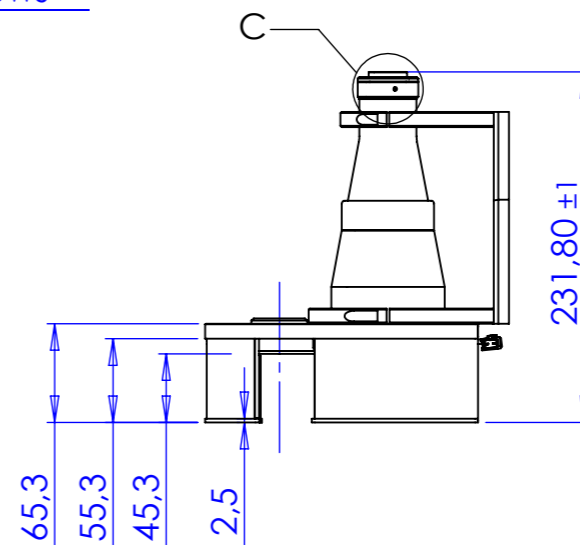
Rev No.	Description	Date	Name
B	Phase adjustment	08/11/2016	Rodella




DETAIL C  
SCALE 1:1



1:2



Material		N.A.		Mass		3462 g		Scale		1:5			
Surface treatment		N.A.		Part No.		CO24601							
Geometrical tolerance (ISO 2768-2)				Class		K		Undimensioned bevels		0,5x45°			
Linear tolerance (ISO 2768-2)				Class		m		Undimensioned radii		R 0,5			
0,5	>3±	>6±	>30±	>120	>400±	>1000	>2000			Description			
±3	6	30	120	±400	1000	±2000	±4000						
±0,1	±0,1	±0,2	±0,3	±0,5	±0,8	±1,2	±2	Drawing No.		Sheet			
 <b>OPTO ENGINEERING S.r.l. - Mantova Italy - Tel. +39 0376 699111 - www.opto-engineering.com</b>				Date		Name		Drawing No.		Sheet			
				Designed		25/03/2014		Santini		DP 24601-B		1/1	
				Drawn		17/12/2015		Rodella					
Checked								<i>Secret and confidential - All rights reserved - No copy, dissemination or circulation is allowed unless specifically authorized in writing by OPTO ENGINEERING S.r.l. - Any violation shall be legally prosecuted.</i>					

all dimensions are in mm