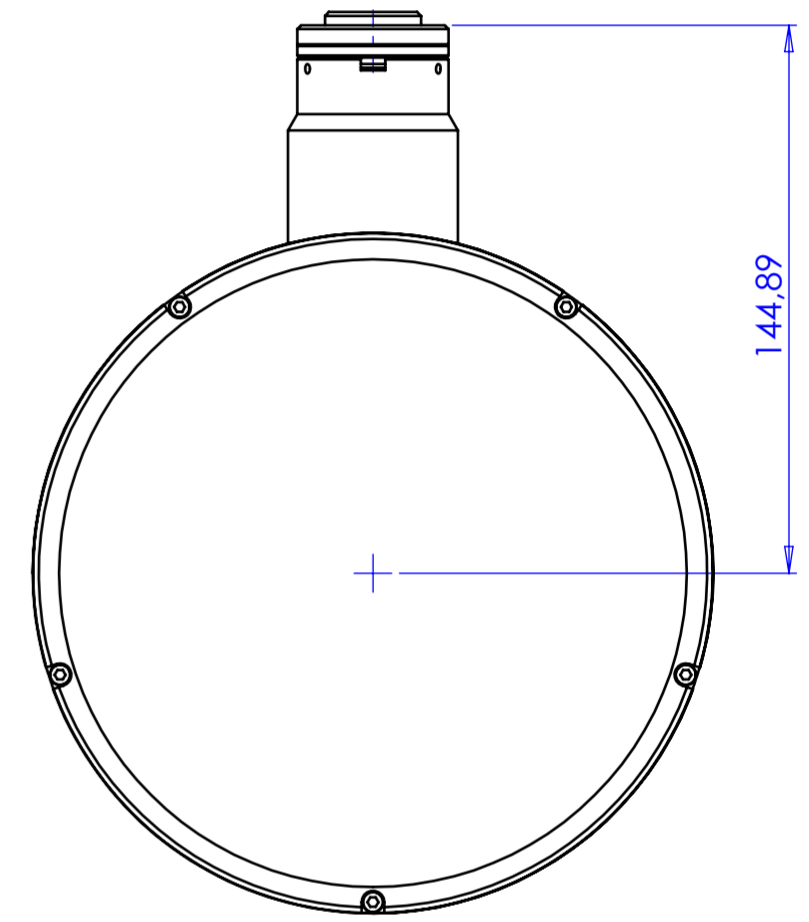
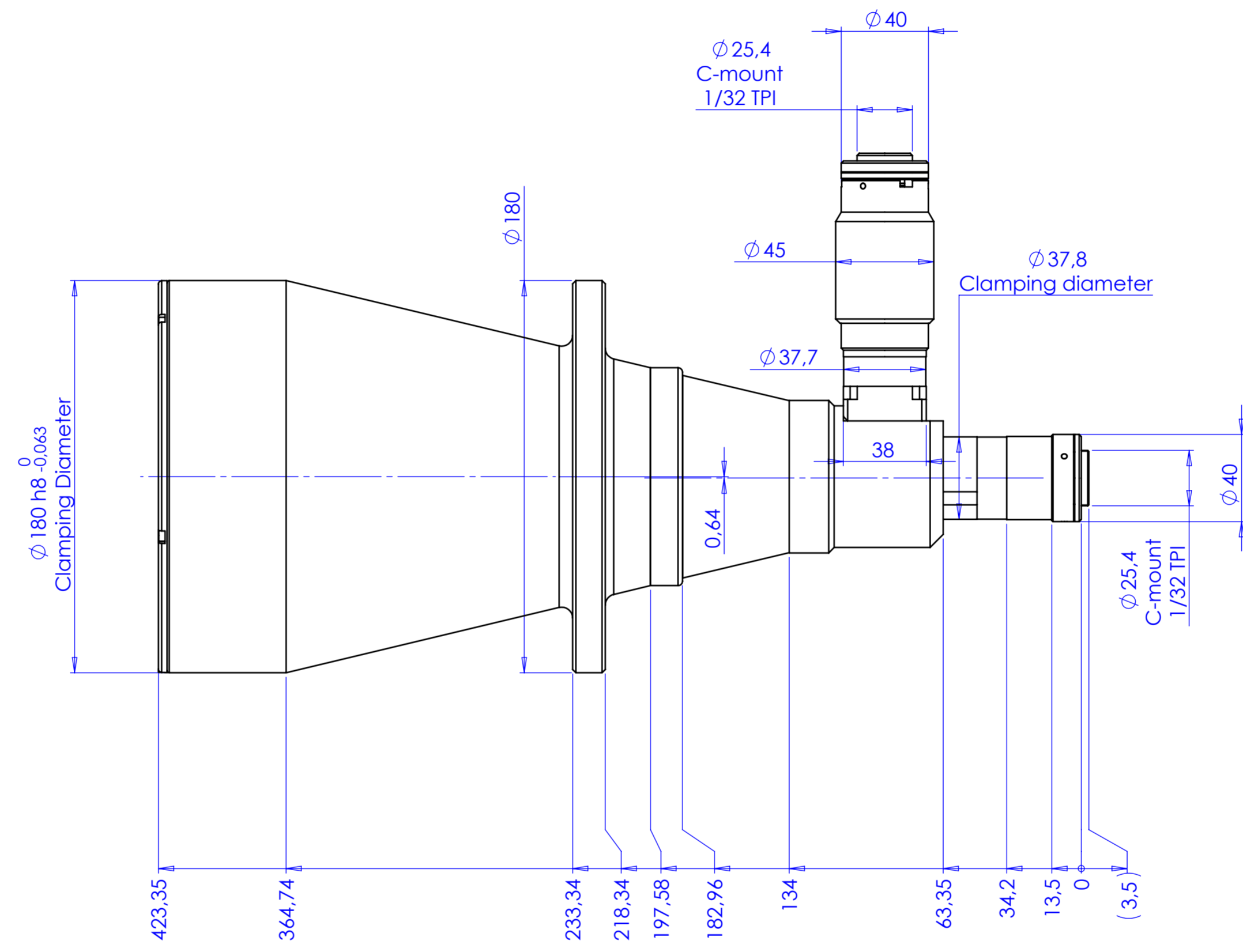
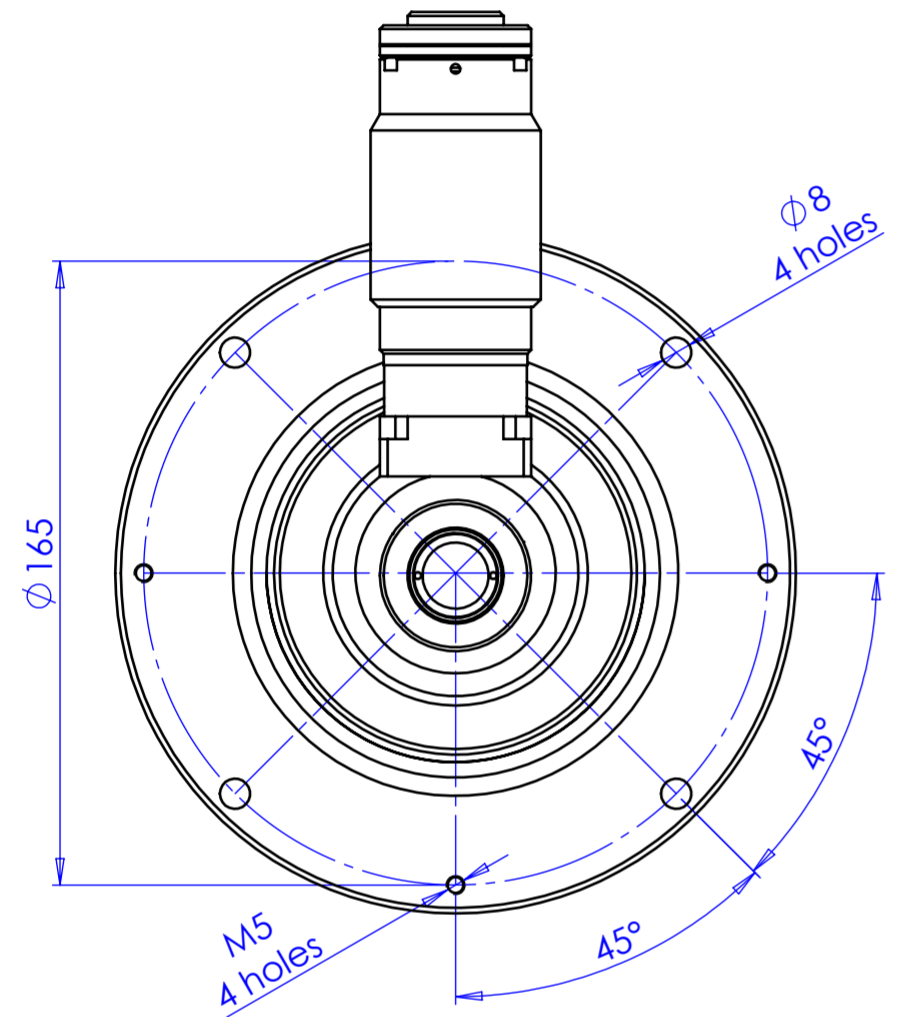


Rev No.	Description	Date	Name



423,35
364,74
233,34
218,34
197,58
182,96
134
63,35
34,2
13,5
0
(3,5)

Material	N.A.	Mass	5265 g	Scale	1:2
Surface treatment	N.A.	Part No.	CO24468		
Geometrical tolerance (ISO 2768-2)	Class	K	Undimensioned bevels	0,5x45°	Description
Linear tolerance (ISO 2768-2)	Class	m	Undimensioned radii	R 0,5	TCDP23C4MC120
0,5	>3+	>6+	>30+	>120	>400+
+3	6	30	120	+400	+1000
±0,1	±0,1	±0,2	±0,3	±0,5	±0,8
					±1,2
					±2
	Designed	26/03/2015	Rodella		
	Drawn	29/09/2015	Rodella		
	Checked				
Date	Name	Drawing No.			
		DP 24468-A			
OPTO ENGINEERING S.r.l. - Mantova Italy - Tel. +39 0376 699111 - www.opto-engineering.com					Sheet
Secret and confidential - All rights reserved - No copy, dissemination or circulation is allowed unless specifically authorized in writing by OPTO ENGINEERING S.r.l. - Any violation shall be legally prosecuted.					1/1

all dimensions are in mm

0 1 2 3 4 5 6 7 8 9 10