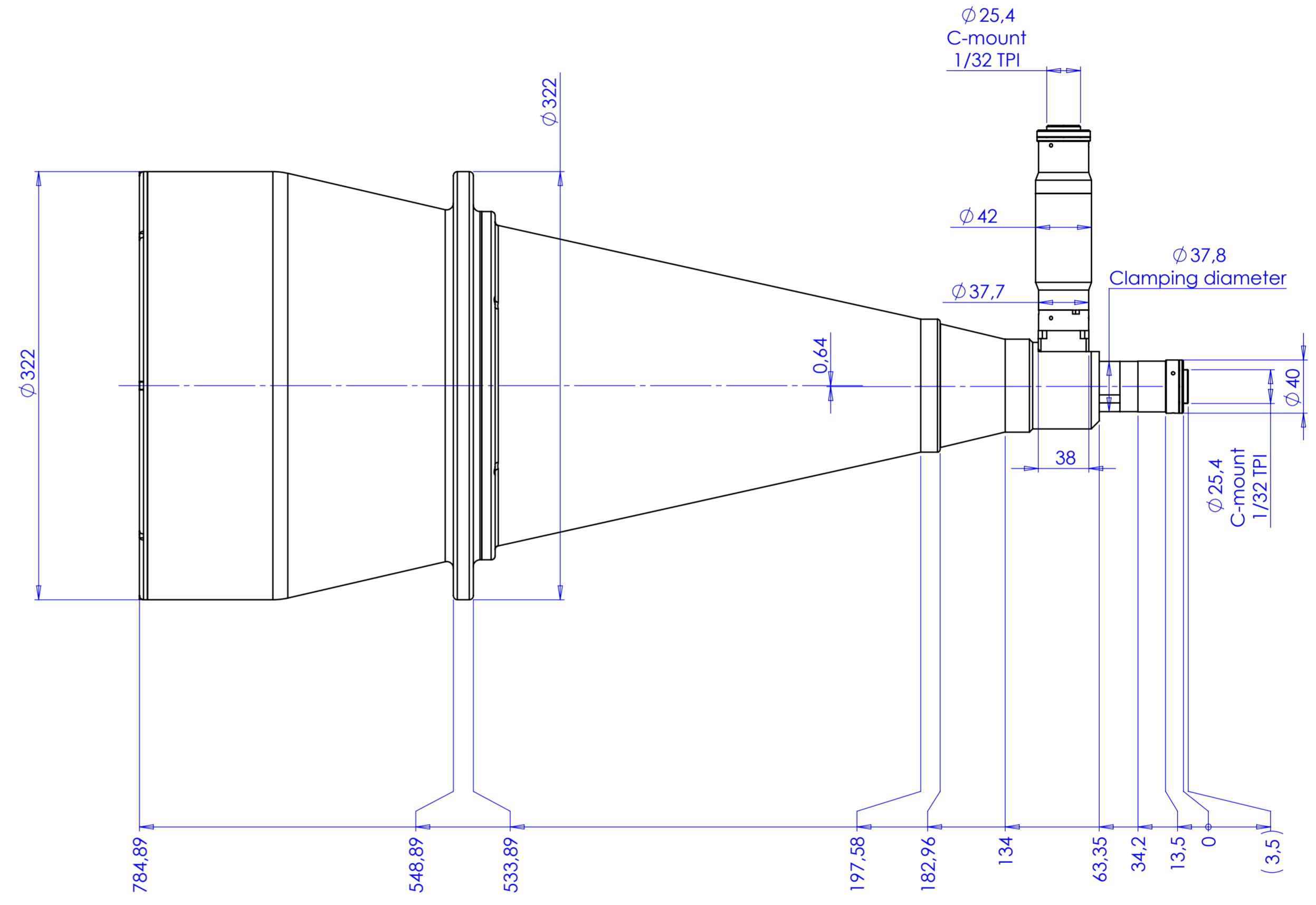
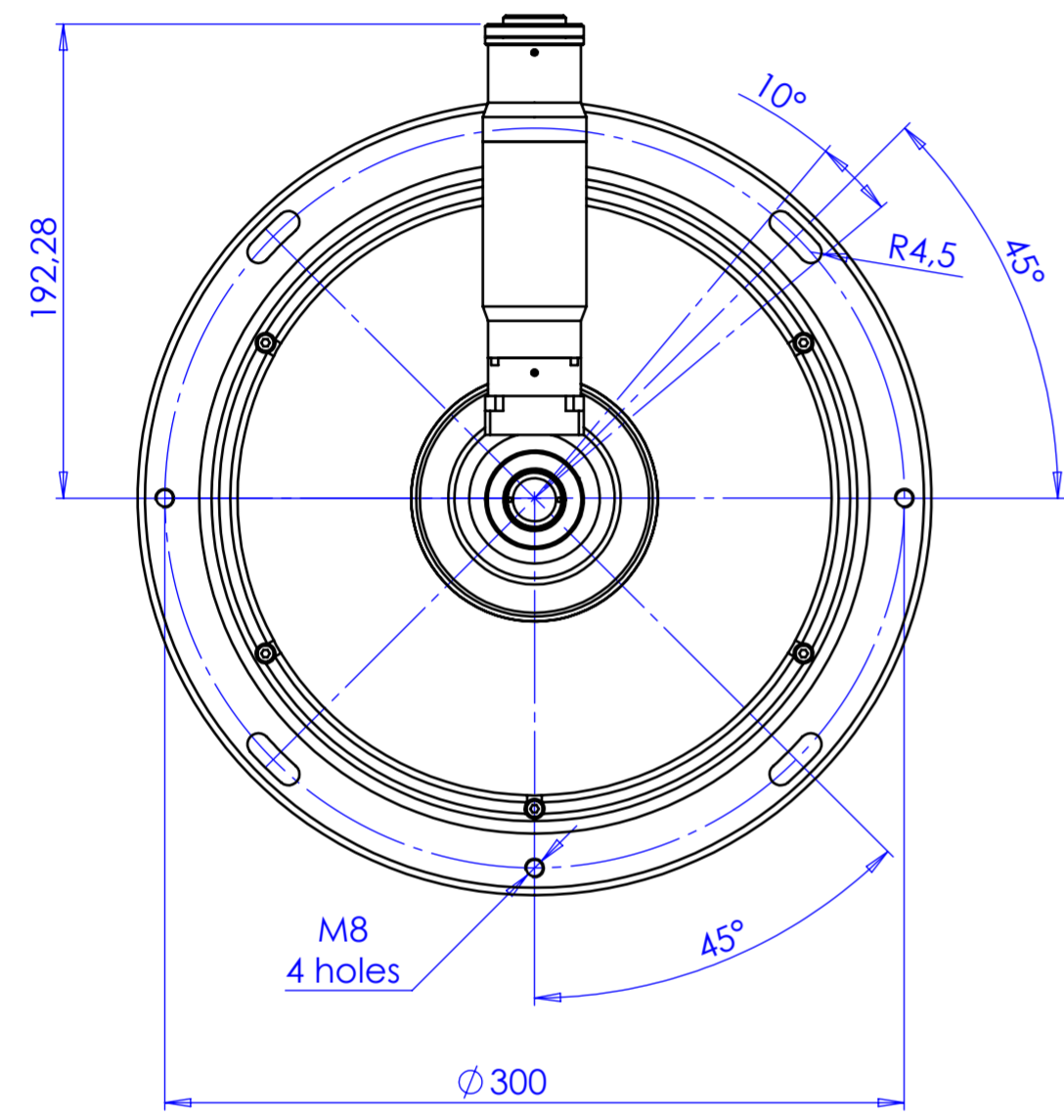


Rev No.	Description	Date	Name



Material	N.A.	Mass	18927 g	Scale	1:3																																
Surface treatment	N.A.	Part No.	CO24466																																		
Geometrical tolerance (ISO 2768-2)	Class	K	Undimensioned bevels	0.5x45°	Description TCDCP23C4XC240																																
Linear tolerance (ISO 2768-2)	Class	m	Undimensioned radii	R 0.5																																	
<table border="1"> <tr> <td>0.5</td><td>>3+</td><td>>6+</td><td>>30+</td><td>>120</td><td>>400+</td><td>>1000</td><td>>2000</td> </tr> <tr> <td>+3</td><td>6</td><td>30</td><td>120</td><td>+400</td><td>1000</td><td>+2000</td><td>+4000</td> </tr> <tr> <td>±0.1</td><td>±0.1</td><td>±0.2</td><td>±0.3</td><td>±0.5</td><td>±0.8</td><td>±1.2</td><td>±2</td> </tr> </table>	0.5	>3+	>6+	>30+	>120	>400+	>1000	>2000	+3	6	30	120	+400	1000	+2000	+4000	±0.1	±0.1	±0.2	±0.3	±0.5	±0.8	±1.2	±2	<table border="1"> <tr> <td>Date</td> <td>Name</td> </tr> <tr> <td>Designed 26/03/2015</td> <td>Rodella</td> </tr> <tr> <td>Drawn 09/10/2015</td> <td>Rodella</td> </tr> <tr> <td>Checked</td> <td></td> </tr> </table>		Date	Name	Designed 26/03/2015	Rodella	Drawn 09/10/2015	Rodella	Checked		Drawing No.	Sheet	
	0.5	>3+	>6+	>30+	>120	>400+	>1000	>2000																													
	+3	6	30	120	+400	1000	+2000	+4000																													
±0.1	±0.1	±0.2	±0.3	±0.5	±0.8	±1.2	±2																														
Date	Name																																				
Designed 26/03/2015	Rodella																																				
Drawn 09/10/2015	Rodella																																				
Checked																																					
			DP 24466-A		1/1																																
<p style="font-size: small;">OPTO ENGINEERING S.r.l. - Mantova Italy - Tel. +39 0376 699111 - www.opto-engineering.com</p> <p style="font-size: x-small;">Secret and confidential - All rights reserved - No copy, dissemination or circulation is allowed unless specifically authorized in writing by OPTO ENGINEERING S.r.l. - Any violation shall be legally prosecuted.</p>																																					

