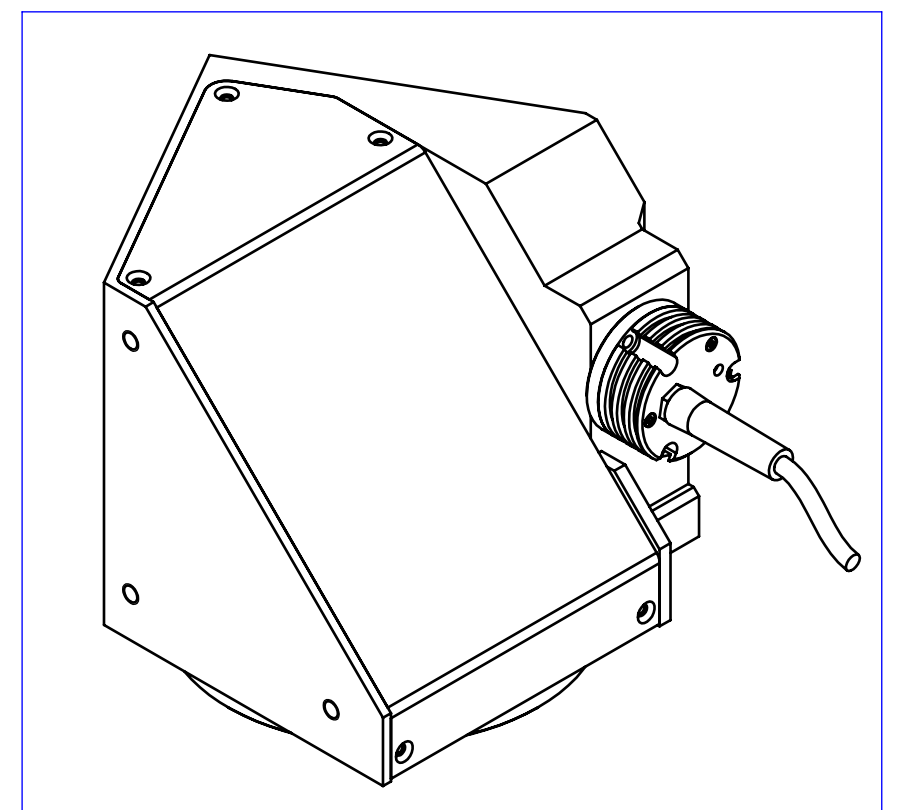
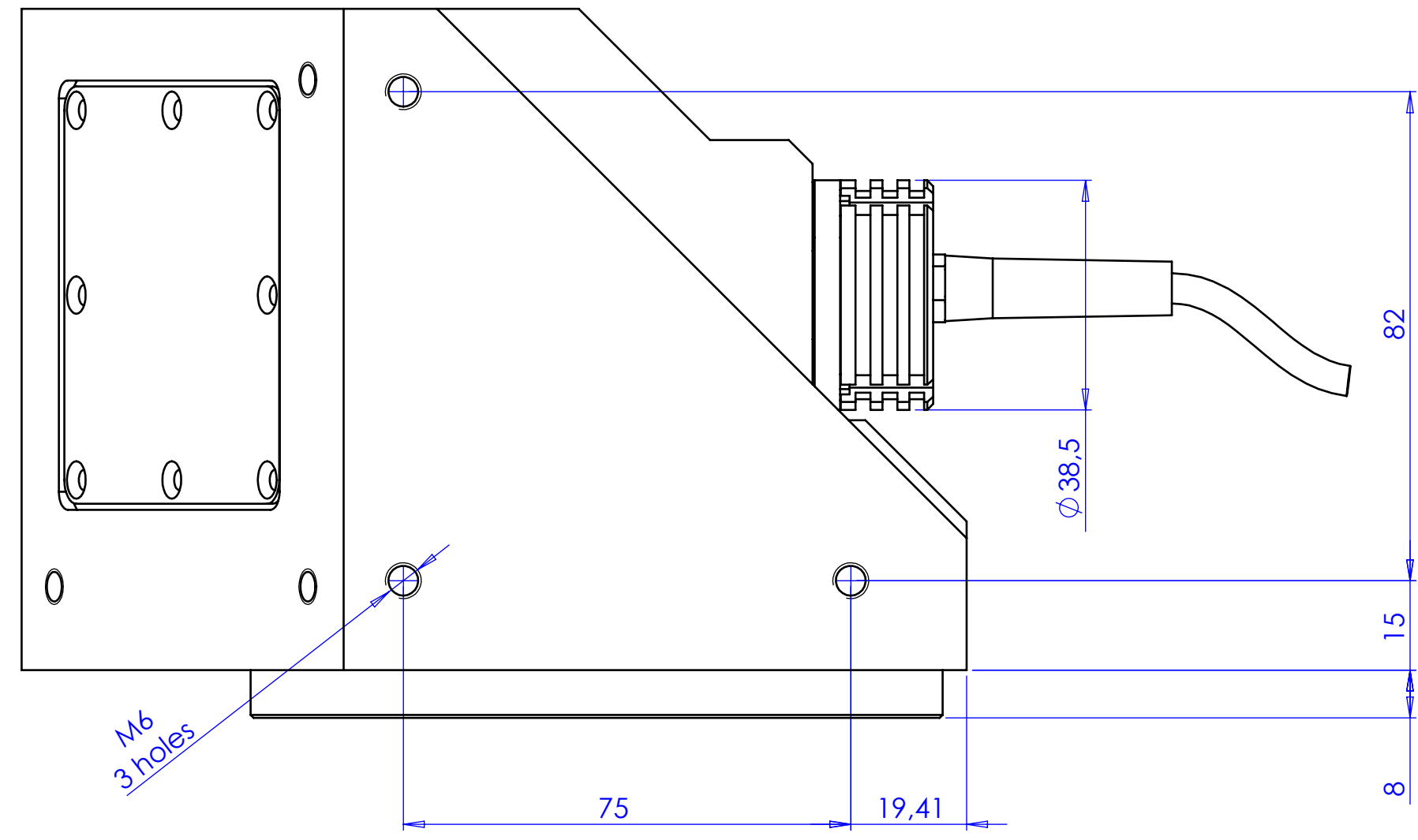
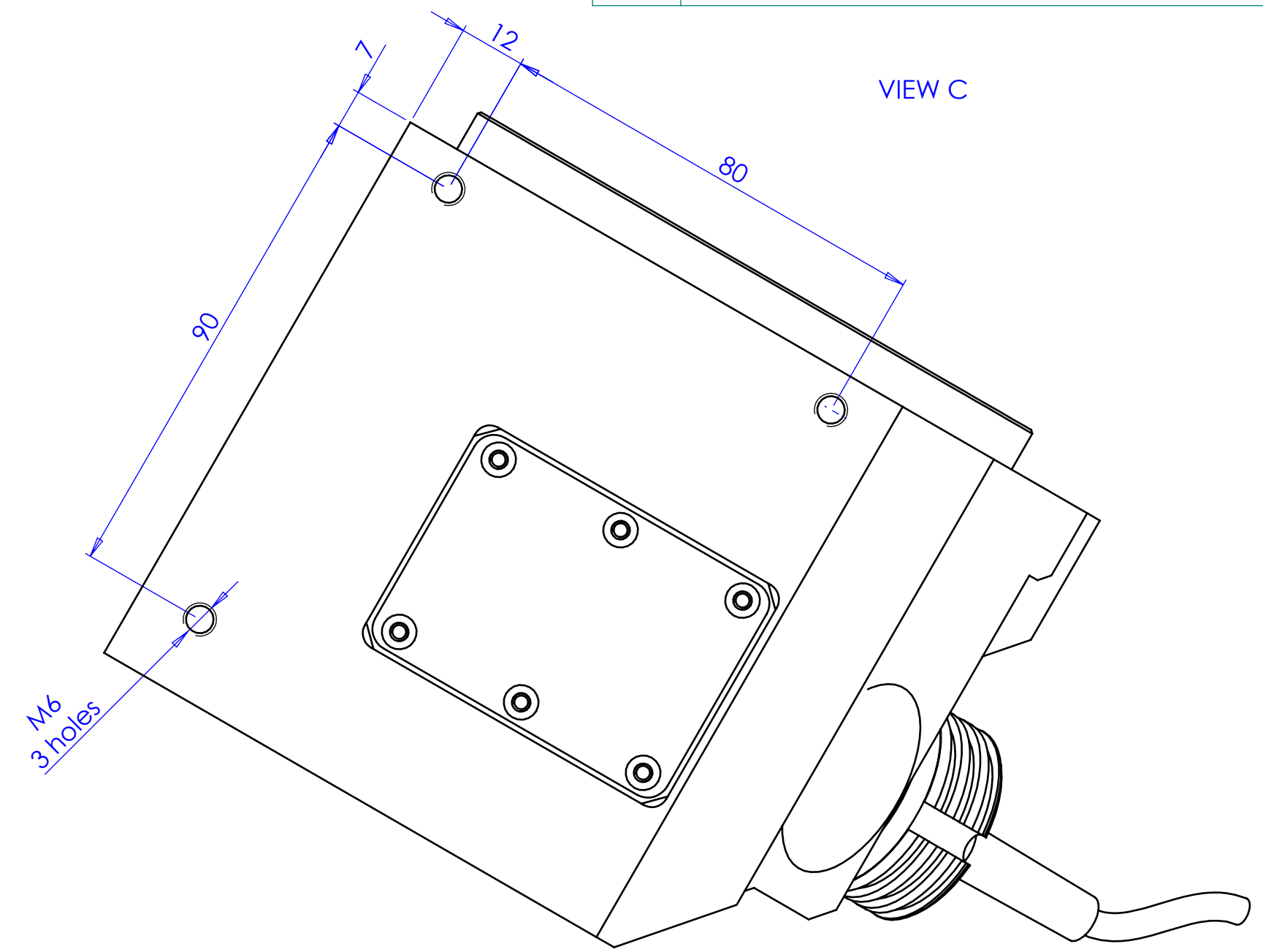
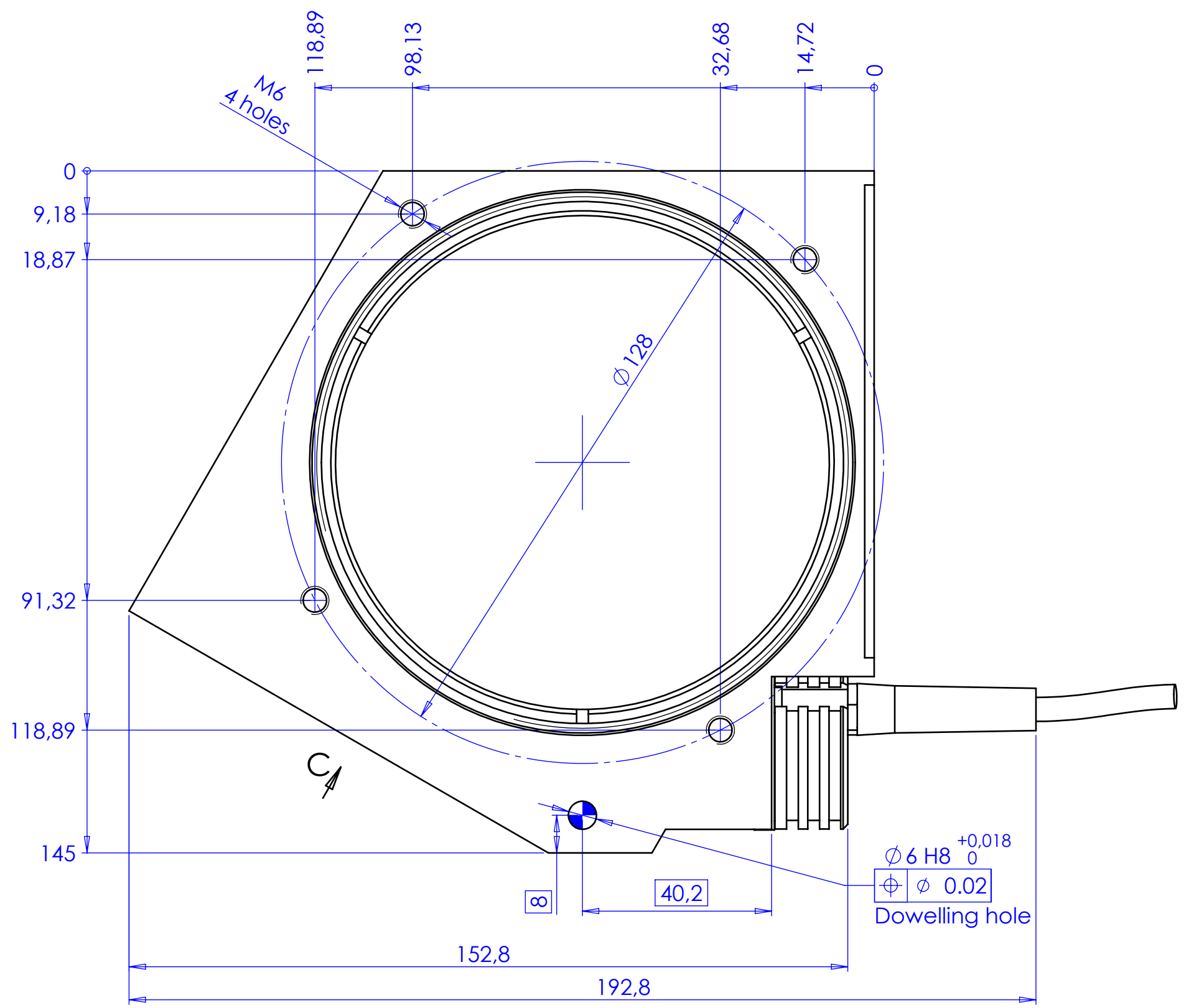


| Rev No. | Description | Date | Name |
|---------|-------------|------|------|
| | | | |
| | | | |
| | | | |



| | | | | | | | |
|---|-------|----------|----------------------|---------|-------------|-------|-------|
| Material | N.A. | Mass | 2919 g | Scale | 1:1 | | |
| Surface treatment | N.A. | Part No. | CO24313 | | | | |
| Geometrical tolerance (ISO 2768-2) | Class | K | Undimensioned bevels | 0.5x45° | Description | | |
| Linear tolerance (ISO 2768-2) | Class | m | Undimensioned radii | R 0.5 | LTCLCR080-W | | |
| 0.5 | >3+ | >6+ | >30+ | >120 | >400+ | >1000 | >2000 |
| +3 | 6 | 30 | 120 | +400 | 1000 | +2000 | +4000 |
| ±0.1 | ±0.1 | ±0.2 | ±0.3 | ±0.5 | ±0.8 | ±1.2 | ±2 |
| Designed | | Date | | Name | | | |
| Drawn | | Date | | Name | | | |
| Checked | | Date | | Name | | | |
| Drawing No. | | | Sheet | | | | |
| DP 24313-A | | | 1/1 | | | | |
| <small>Secret and confidential - All rights reserved - No copy, dissemination or circulation is allowed unless specifically authorized in writing by OPTO ENGINEERING S.r.l. - Any violation shall be legally prosecuted.</small> | | | | | | | |