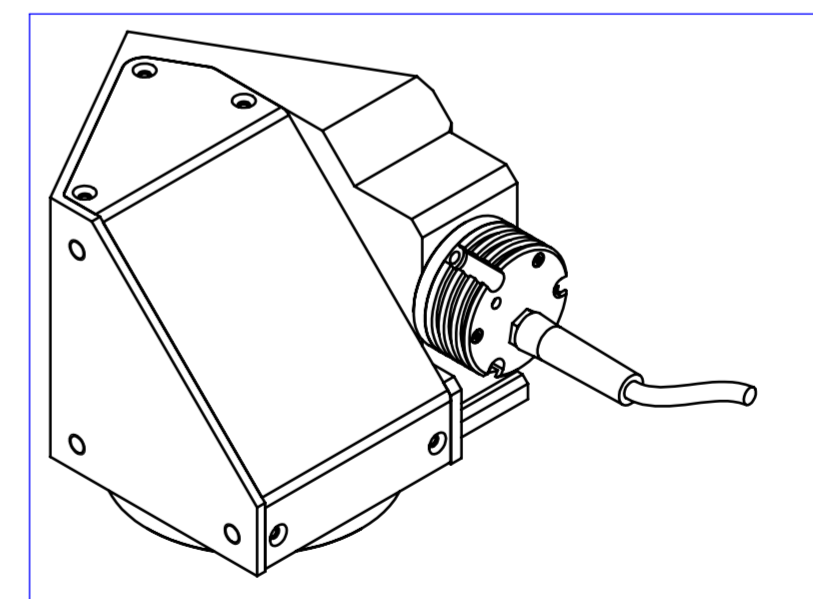
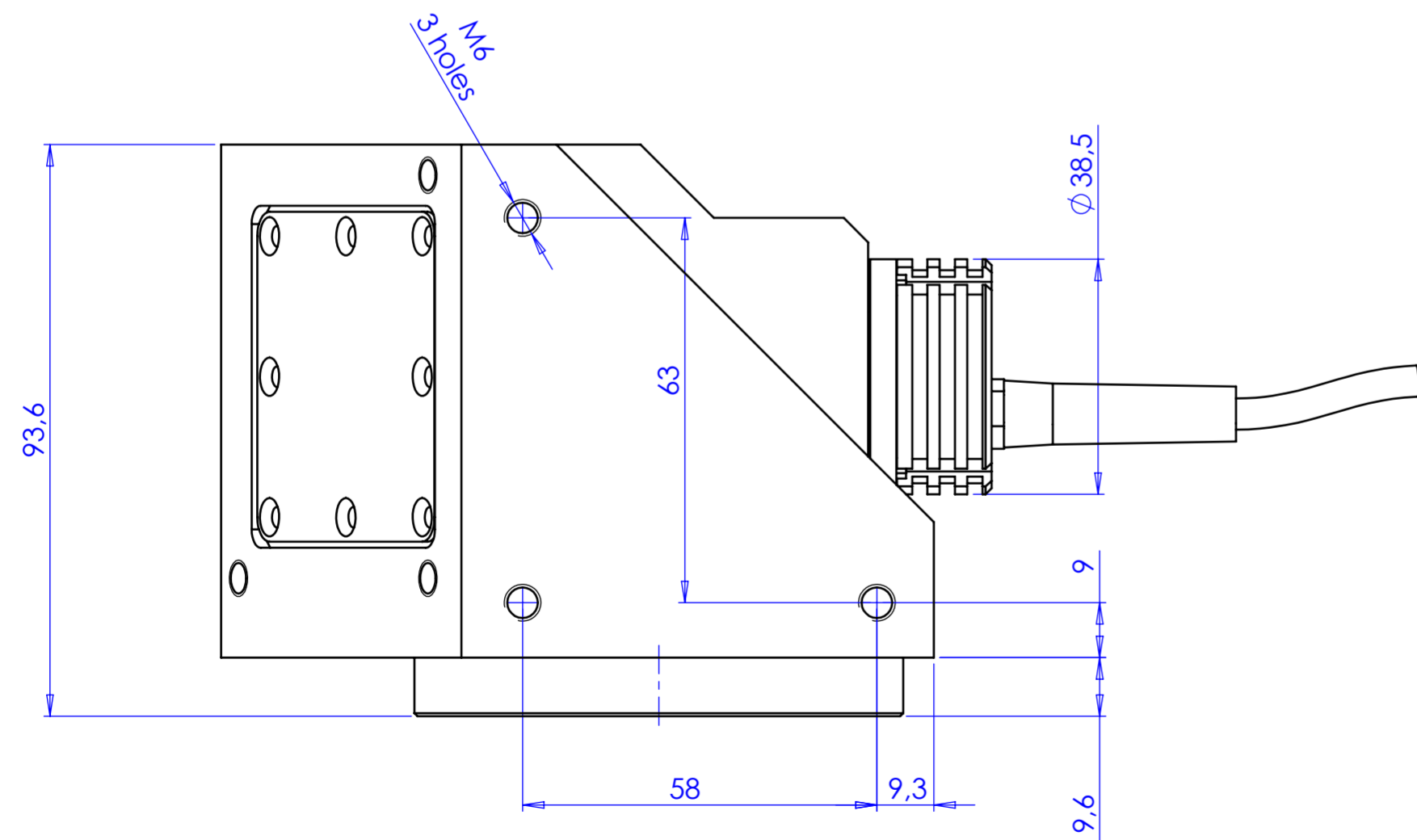
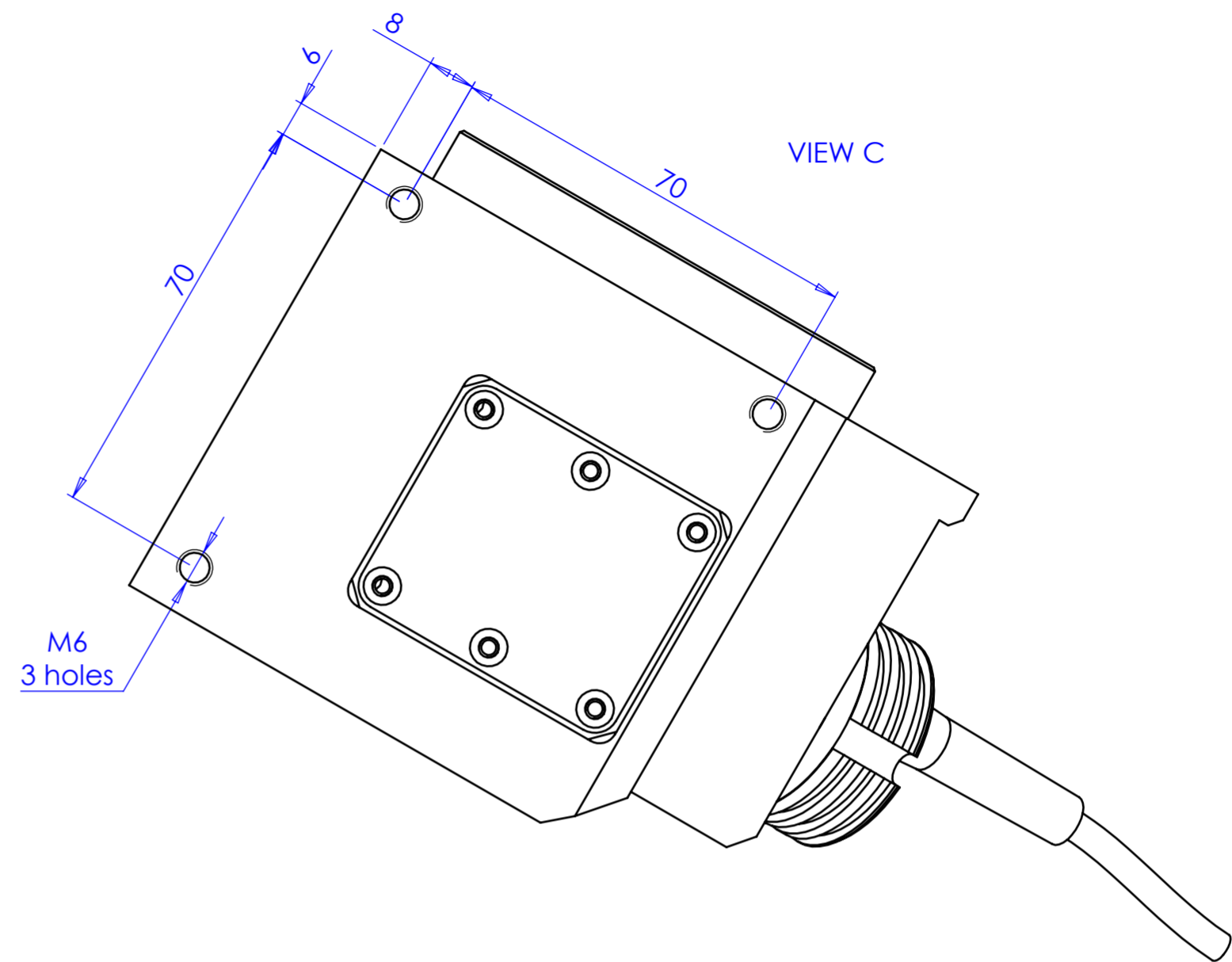
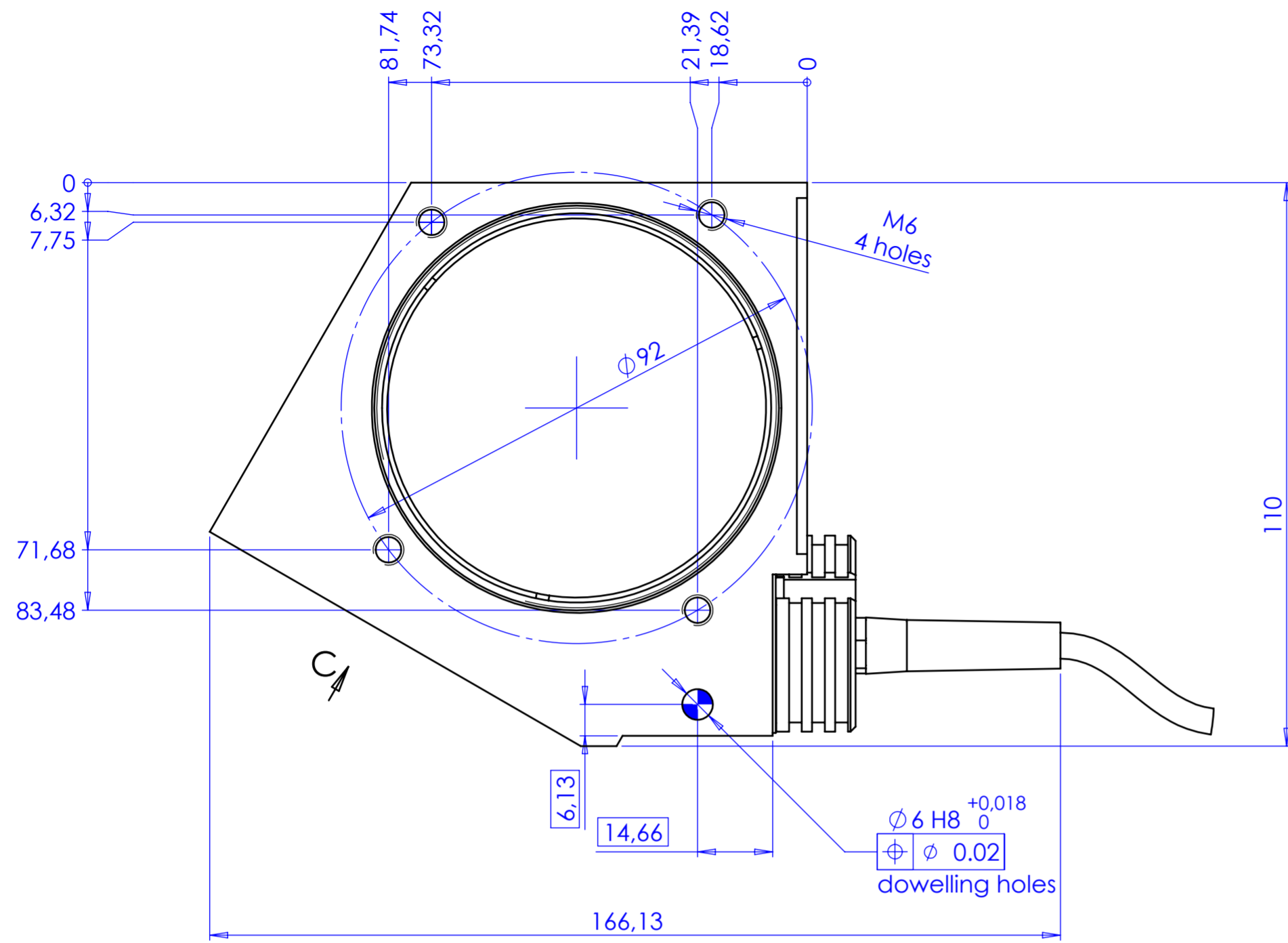


Rev No.	Description	Date	Name



Material	N.A.	Mass	g	Scale	1:1		
Surface treatment	N.A.	Part No.	CO24305				
Geometrical tolerance (ISO 2768-2)	Class	K	Undimensioned bevels	0.5x45°	Description		
Linear tolerance (ISO 2768-2)	Class	m	Undimensioned radii	R 0.5	LTCLCR056-W		
0.5	>3+	>6+	>30+	>120	>400+	>1000	>2000
+3	6	30	120	+400	1000	+2000	+4000
+0.1	±0.1	±0.2	±0.3	±0.5	±0.8	±1.2	±2
all dimensions are in mm	Date		Name		Drawing No.	Sheet	
 <b>OPTO ENGINEERING</b> <small>THE ELECTRONIC COMPANY</small>	Designed		Vasconetto		DP 24305-A	1/1	
	Drawn		Rodella				
	Checked						
<small>OPTO ENGINEERING S.r.l. - Mantova Italy - Tel. +39 0376 699111 - www.opto-engineering.com</small>						<small>Secret and confidential - All rights reserved - No copy, dissemination or circulation is allowed unless specifically authorized in writing by OPTO ENGINEERING S.r.l. - Any violation shall be legally prosecuted.</small>	