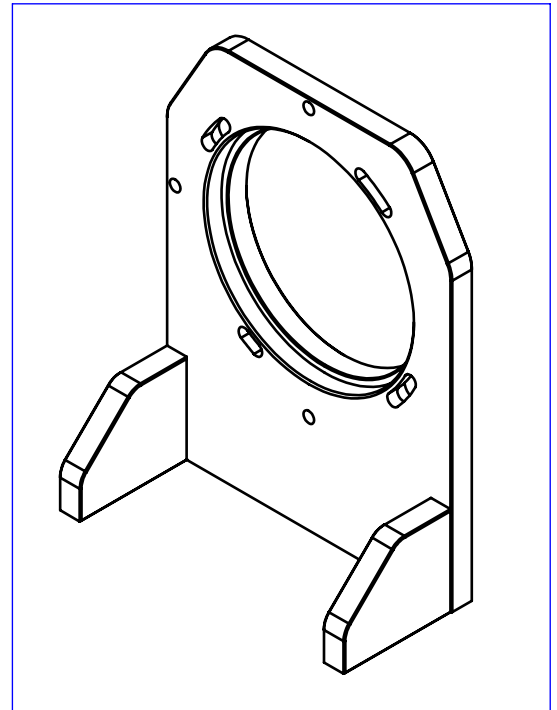
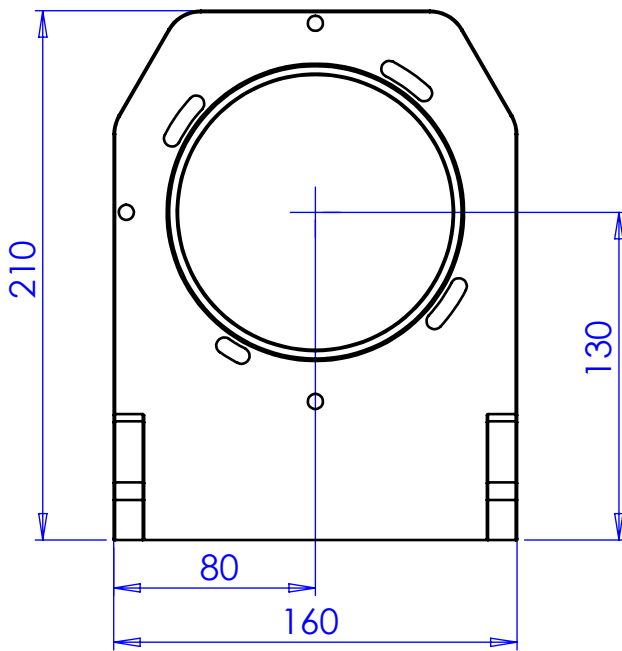
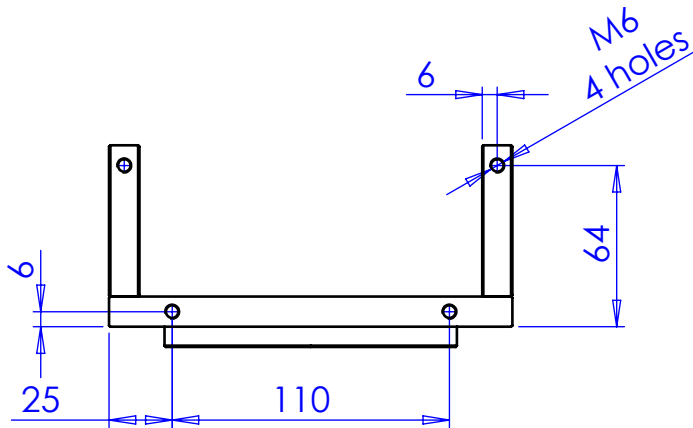


1	2	3	4
Rev No.	Description	Date	Name
B	Modificato peso	14/04/2016	Rodella



all dimensions are in mm	Material		N.A.			Mass	842 g	Scale	1:3
	Surface treatment		N.A.			Part No.	CO24127		
	Geometrical tolerance (ISO 2768-2)				Class	K	Description		Clamp System
	Linear tolerance (ISO 2768-2)				Class	m	Undimensioned bevels	0.5x45°	
0.5	>3÷	>6÷	>30÷	>120	>400÷	>1000	>2000	Undimensioned radii	R 0.5
±3	6	30	120	±400	1000	±2000	±4000		
±0.1	±0.1	±0.2	±0.3	±0.5	±0.8	±1.2	±2		
		Date		Name		Drawing No.		Sheet	
		Designed		12/06/2015		Vasconetto		DP 24127-B	
		Drawn		28/07/2015		Rodella		1/1	
Checked									
<p>Secret and confidential - All rights reserved - No copy, dissemination or circulation is allowed unless specifically authorized in writing by OPTO ENGINEERING S.r.l. - Any violation shall be legally prosecuted.</p>									
<p>OPTO ENGINEERING S.r.l. - Mantova Italy - Tel. +39 0376 699111 - www.opto-engineering.com</p>									