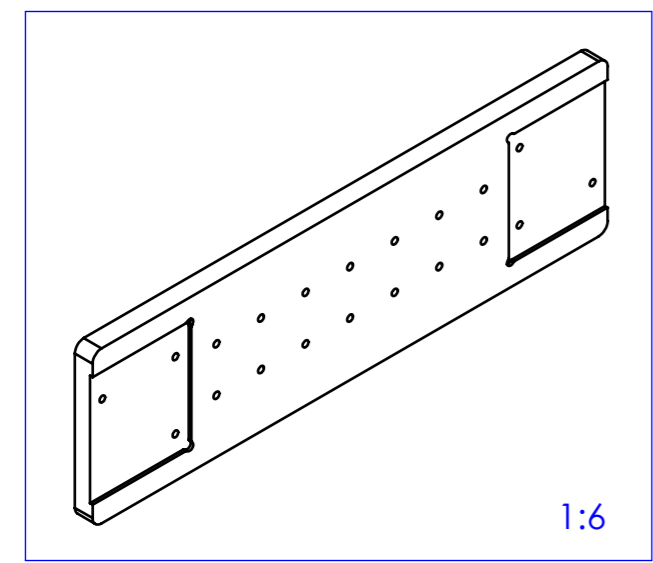
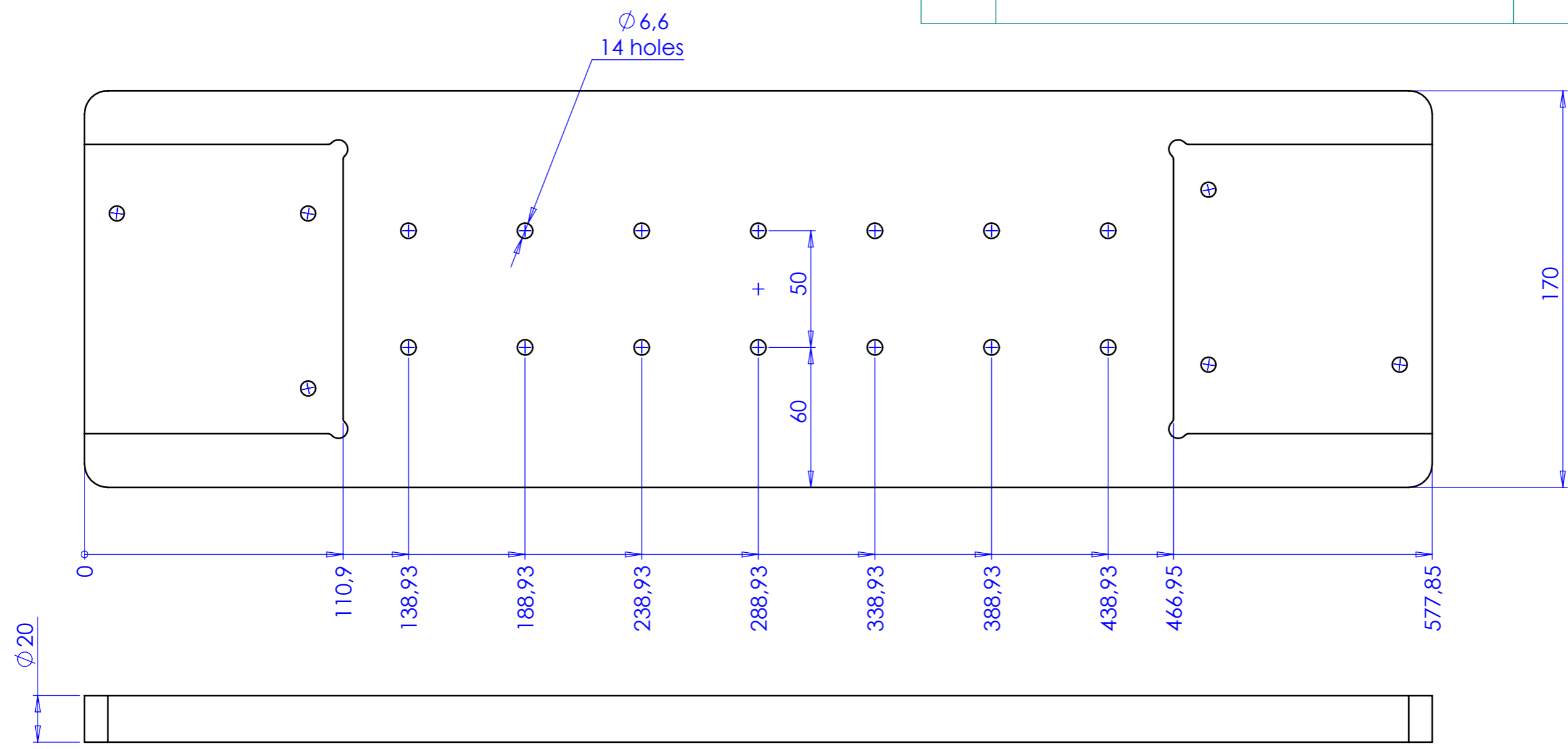


1 2 3 4 5 6 7 8

Rev No.	Description	Date	Name



Material <b>Aluminium - UNI-EN 573 EN AW 6082</b>		Mass <b>5017 g</b>		Scale <b>1:2</b>	
Surface treatment <b>Gray Satin Anodizing</b>		Part No. <b>CO24111</b>		Description <b>Plate</b>	
Geometrical tolerance (ISO 2768-2)		Class <b>K</b>		Undimensioned bevels <b>0.5x45°</b>	
Linear tolerance (ISO 2768-2)		Class <b>m</b>		Undimensioned radii <b>R 0.5</b>	
0.5 ±3	>3± 6	>6± 30	>30± 120	>120 ±400	>400± 1000
±0.1	±0.1	±0.2	±0.3	±0.5	±0.8
Date		Name		Drawing No.	
Designed <b>09/06/2015</b>		Name <b>Vasconetto</b>		Drawing No. <b>DP 24111 -A</b>	
Drawn <b>01/03/2016</b>		Name <b>Rodella</b>		Sheet <b>1/1</b>	
Checked					
<b>OPTO ENGINEERING S.r.l. - Mantova Italy - Tel. +39 0376 699111 - www.opto-engineering.com</b>					
<i>Secret and confidential - All rights reserved - No copy, dissemination or circulation is allowed unless specifically authorized in writing by OPTO ENGINEERING S.r.l. - Any violation shall be legally prosecuted.</i>					

1 2 3 4 5 6 7 8

0 1 2 3 4 5 6 7 8 9 10