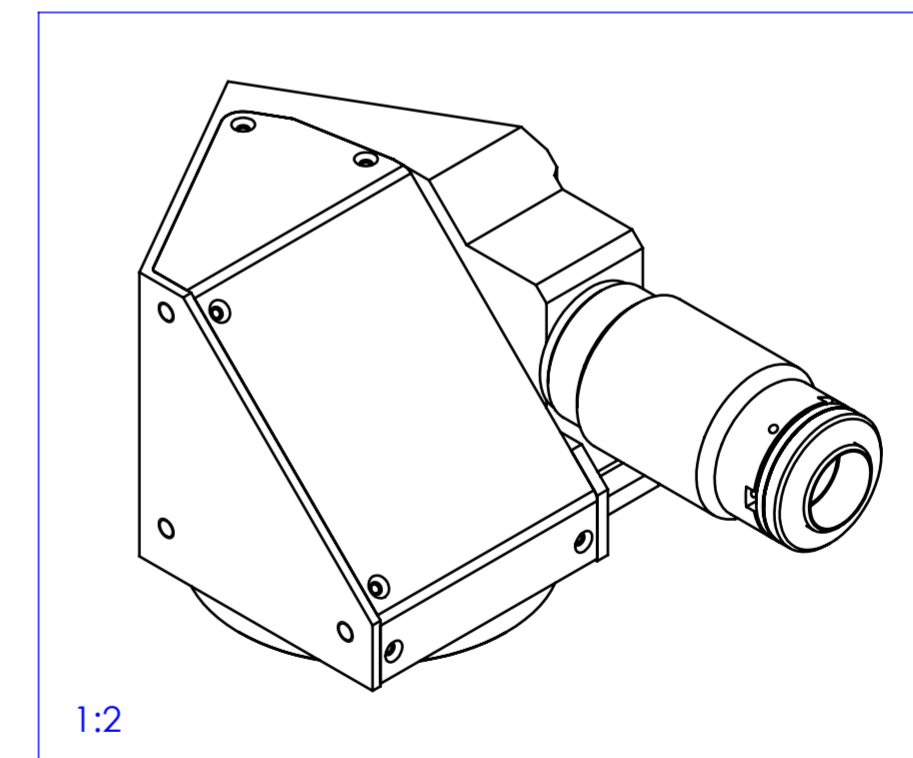
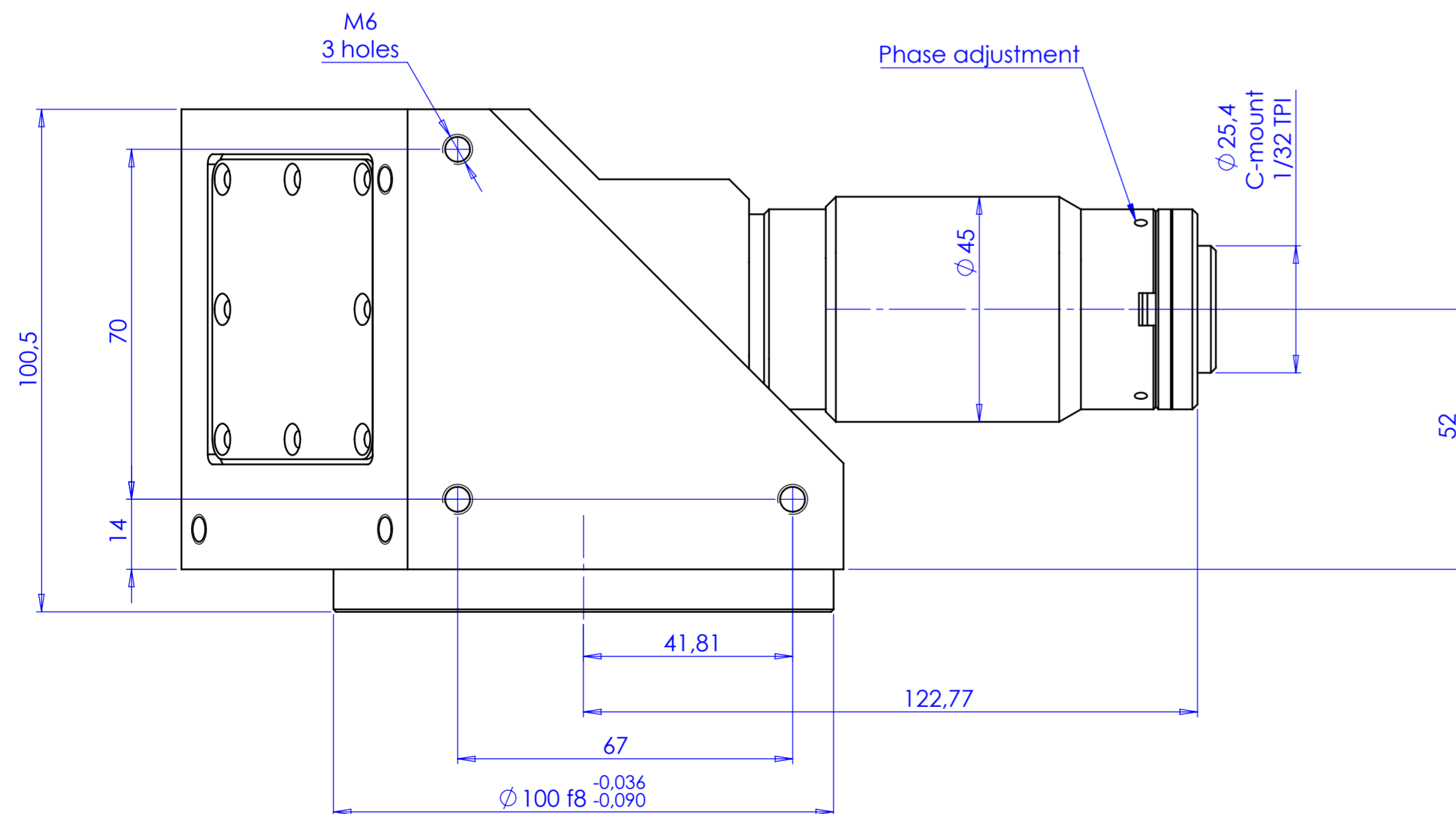
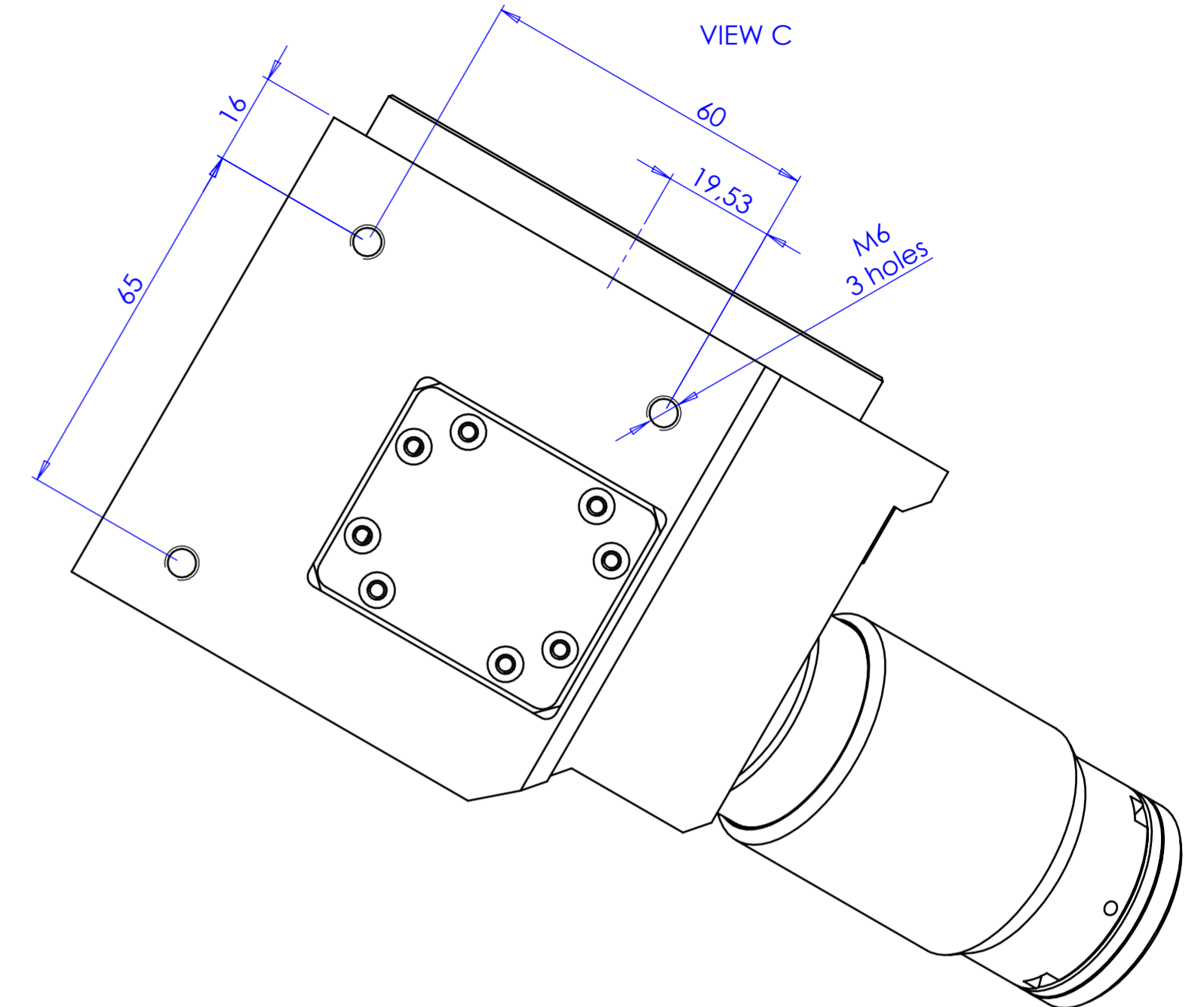
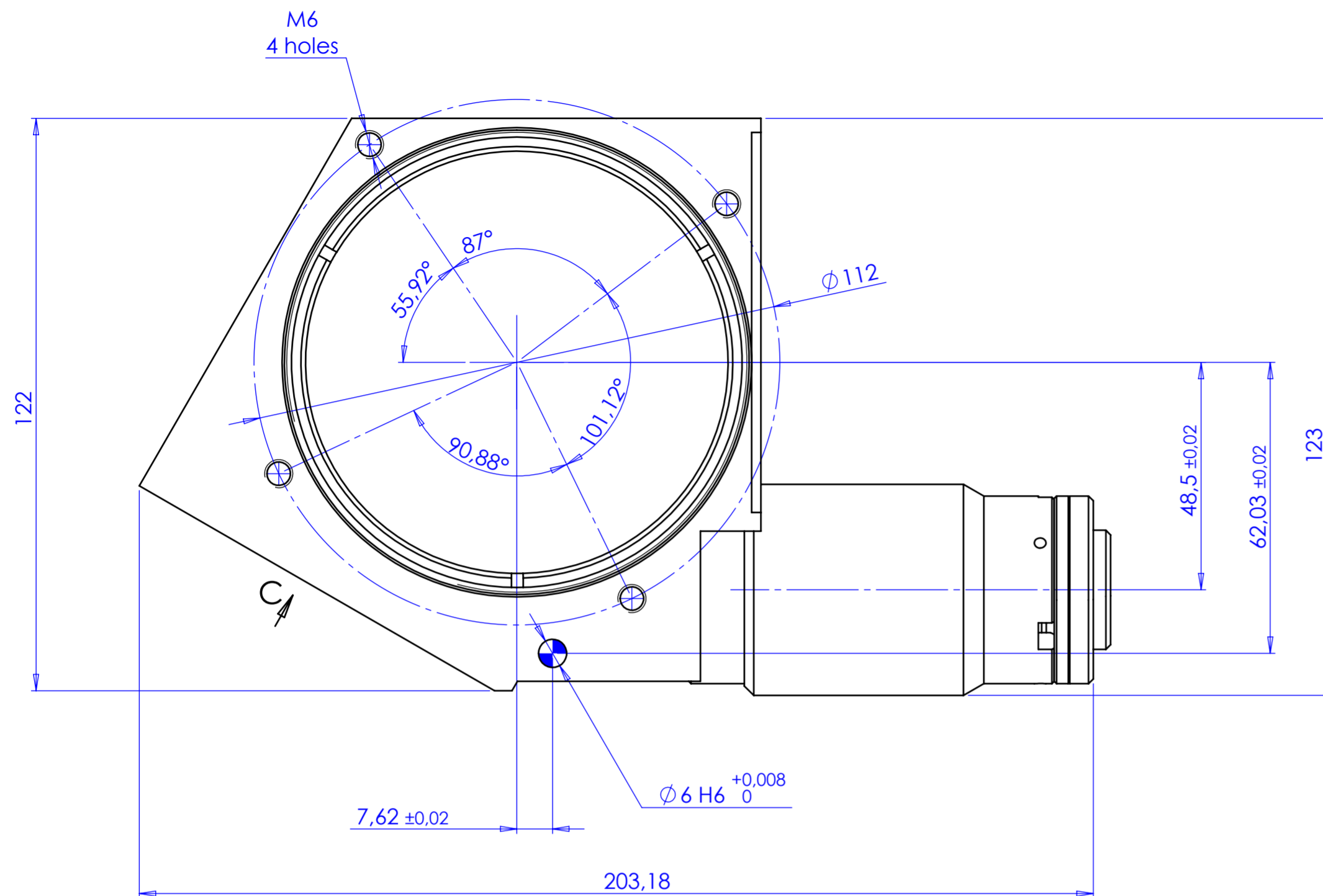


Rev No.	Description	Date	Name
B	Aggiunte quote	16/01/2017	Rodella



Material	N.A.	Mass	2051 g	Scale	1:1
Surface treatment	N.A.	Part No.	CO23978		
Geometrical tolerance (ISO 2768-2)		Class	K	Undimensioned bevels	0.5x45°
Linear tolerance (ISO 2768-2)		Class	m	Undimensioned radii	R 0.5
0.5	>3+	>6+	>30+	>120	>400+
+3	6	30	120	+400	1000
+0.1	±0.1	±0.2	±0.3	±0.5	±0.8
				±1.2	±2
Description		TCCR4M064-C			
Drawing No.		DP 23978-B			
Date		Name			
Designed 04/05/2015		Vasconetto			
Drawn 20/07/2015		Rodella			
Checked					
Sheet		1/1			

OPTO ENGINEERING S.r.l. - Mantova Italy - Tel. +39 0376 699111 - www.opto-engineering.com

Secret and confidential - All rights reserved - No copy, dissemination or circulation is allowed unless specifically authorized in writing by OPTO ENGINEERING S.r.l. - Any violation shall be legally prosecuted.