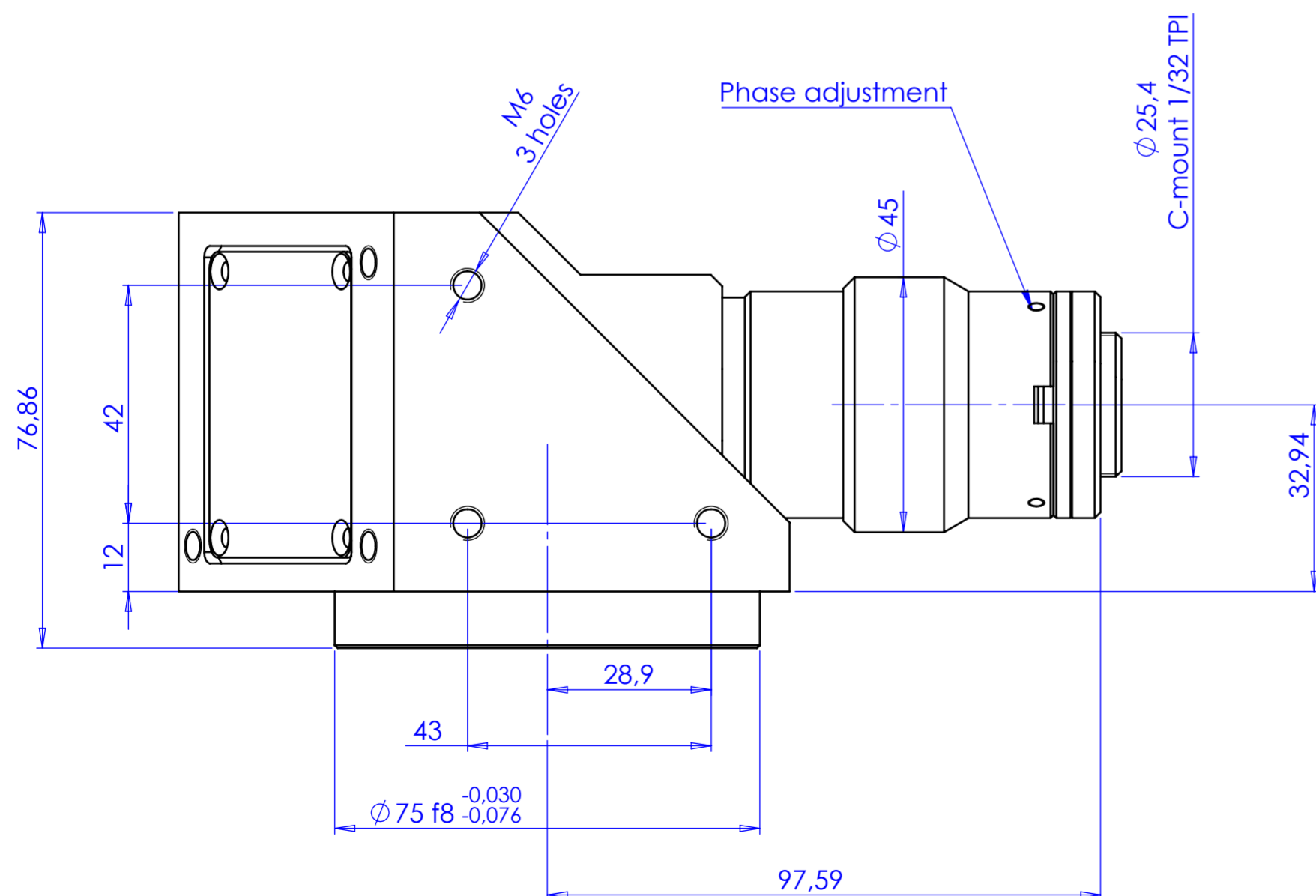
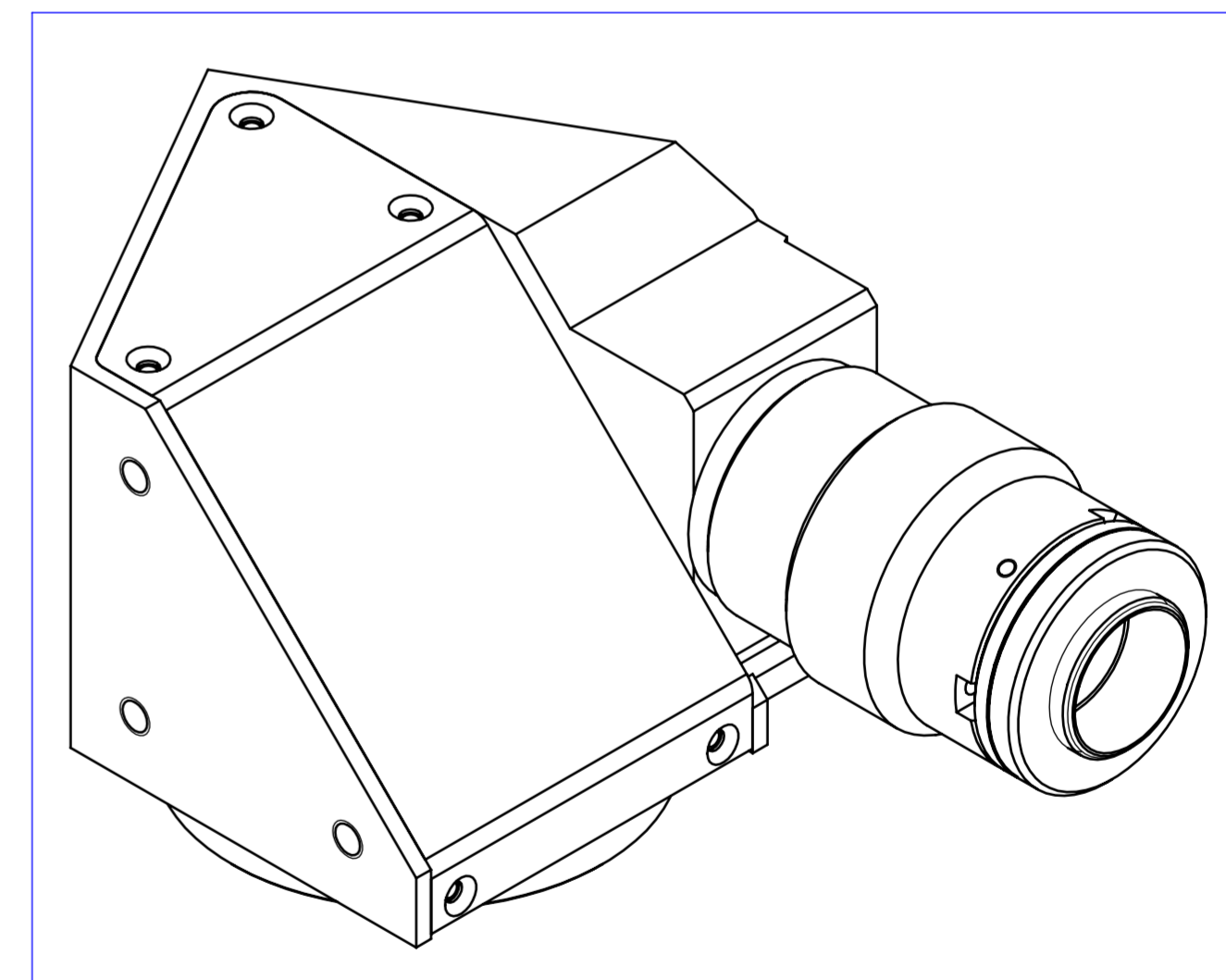
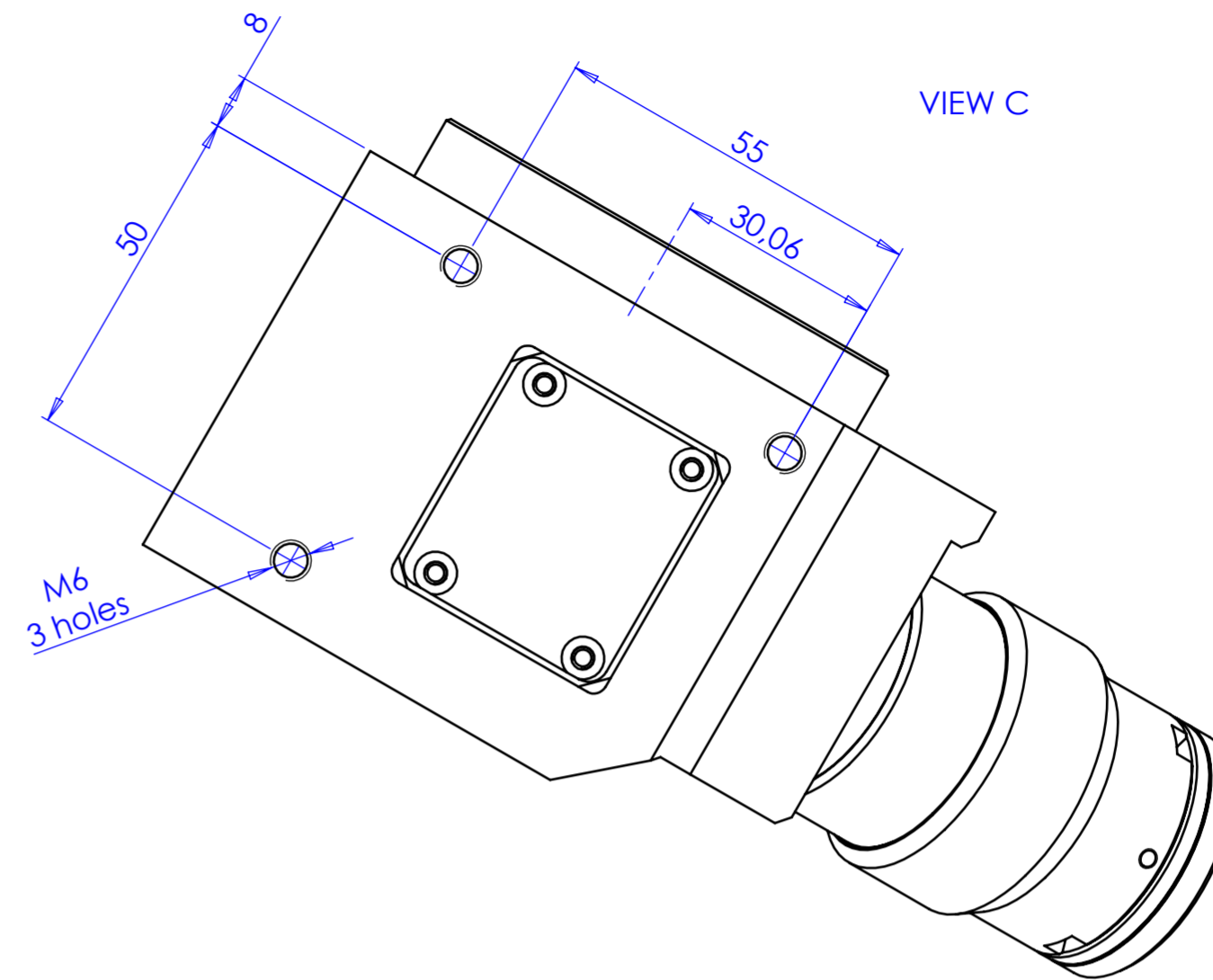
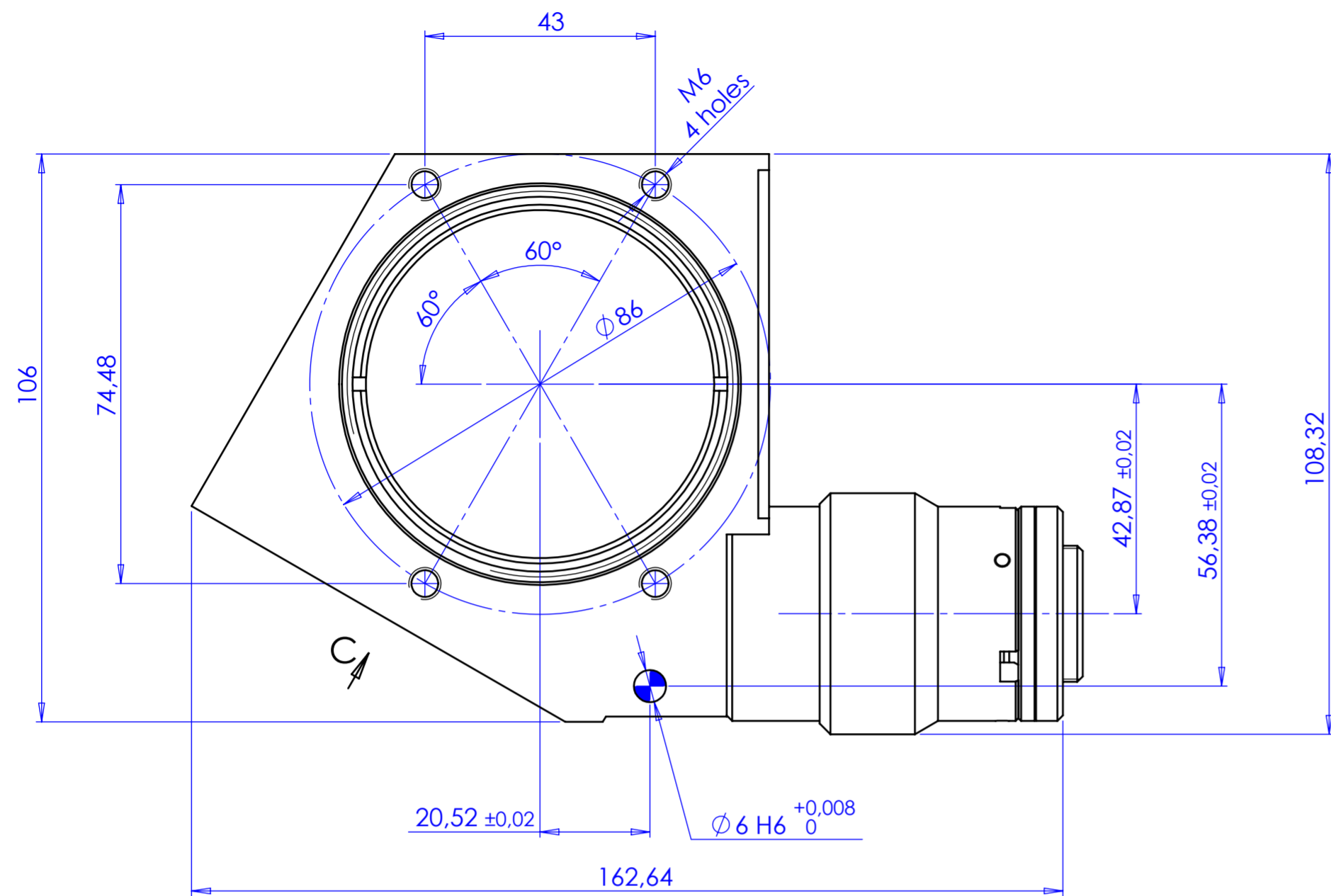


Rev No.	Description	Date	Name
B	Aggiunte quote	10/01/2017	Rodella



Material	N.A.	Mass	1128 g	Scale	1:1		
Surface treatment	N.A.	Part No.	CO23957				
Geometrical tolerance (ISO 2768-2)	Class	K	Undimensioned bevels	0.5x45°	Description		
Linear tolerance (ISO 2768-2)	Class	m	Undimensioned radii	R 0.5	TCCR2M048-C		
0.5	>3+	>6+	>30+	>120	>400+	>1000	>2000
+3	6	30	120	+400	1000	+2000	+4000
± 0.1	± 0.1	± 0.2	± 0.3	± 0.5	± 0.8	± 1.2	± 2
Designed		Date	Name		Drawing No.	Sheet	
DRAWN		16/07/2015	Rodella		DP 23957-B	1/1	
Checked							
OPTO ENGINEERING S.r.l. - Mantova Italy - Tel. +39 0376 699111 - www.opto-engineering.com						Secret and confidential - All rights reserved - No copy, dissemination or circulation is allowed unless specifically authorized in writing by OPTO ENGINEERING S.r.l. - Any violation shall be legally prosecuted.	