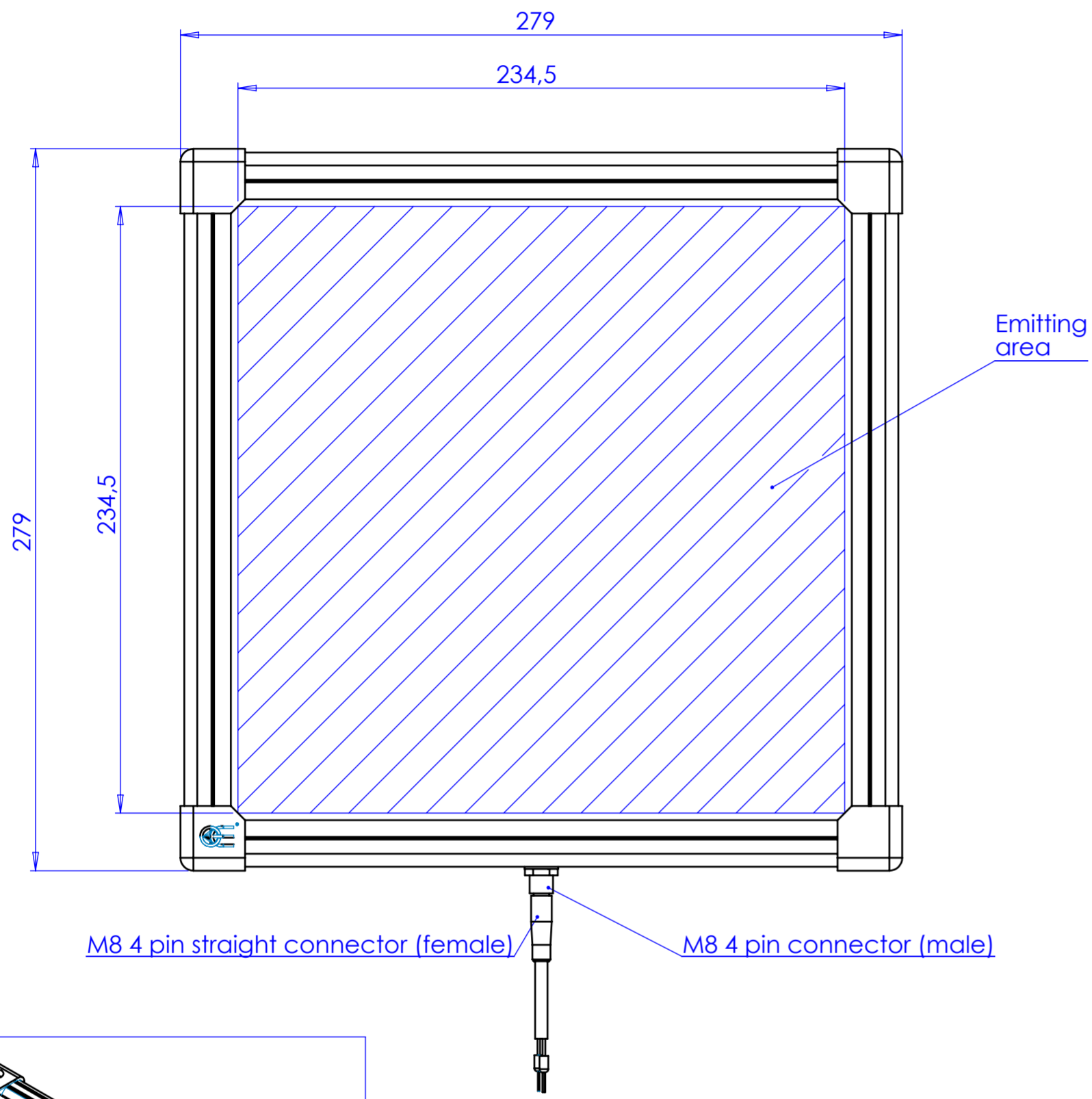
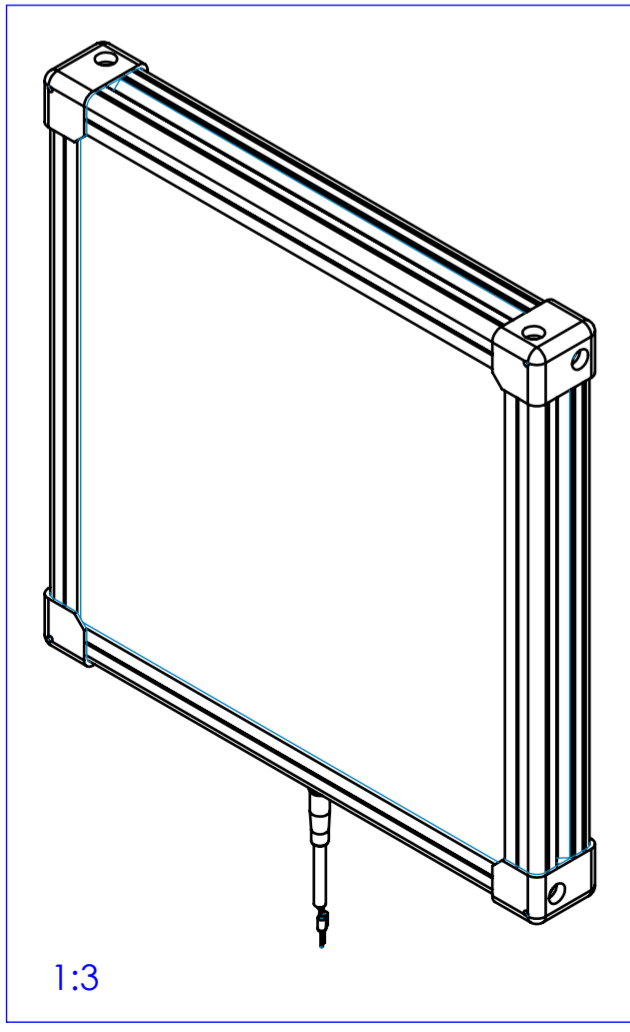
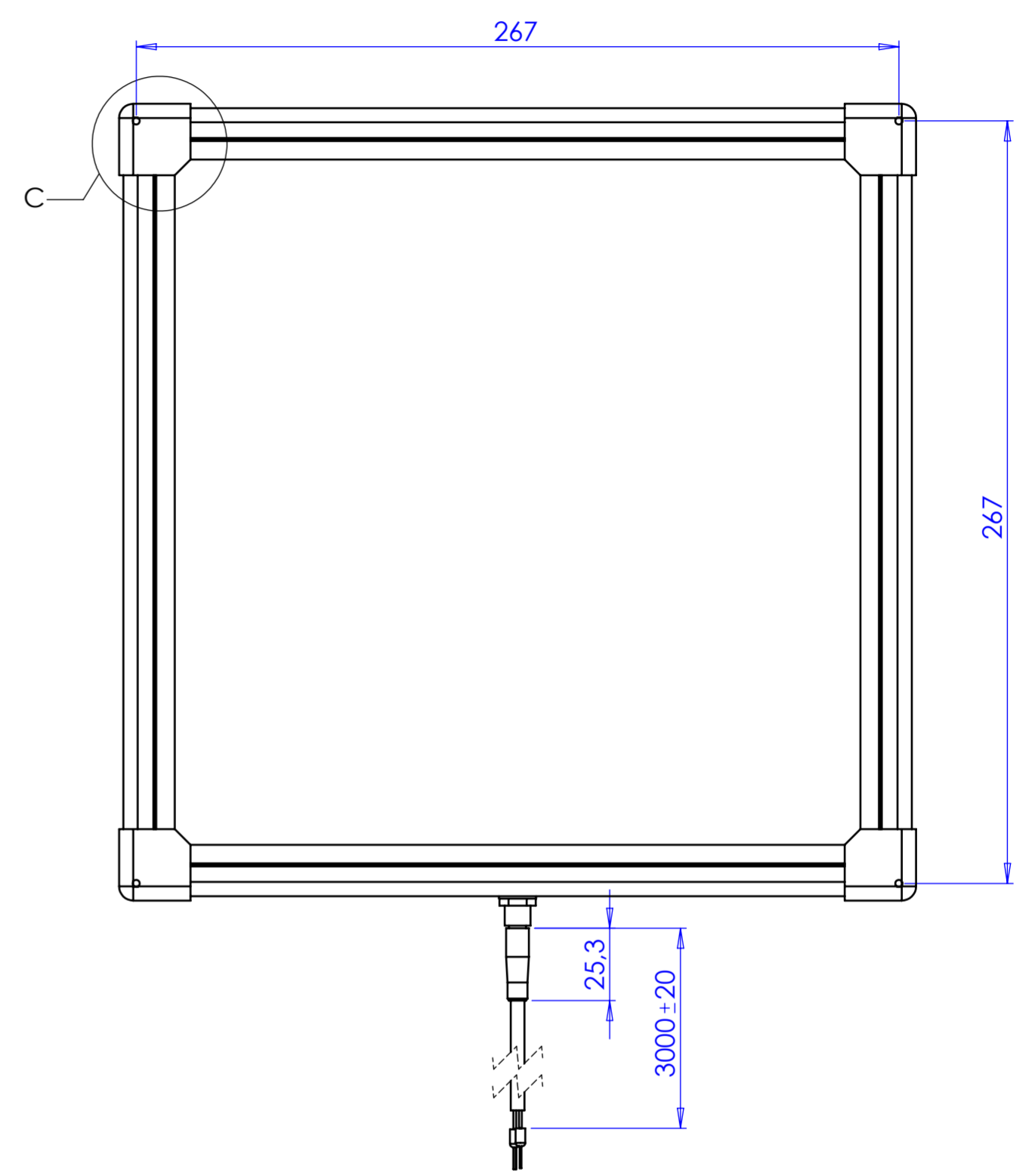
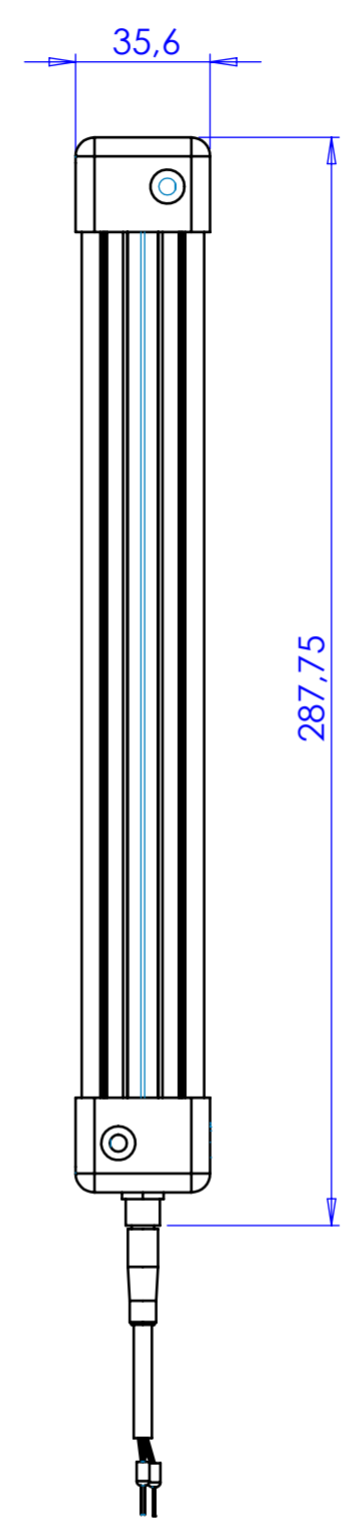


Rev No.	Description	Date	Name



4 x M3 ∇ 6  
Mountin holes

DETAIL C  
SCALE 1 : 1



1:3

Material Materiale <non specificato>		Mass 0 g	Scale 1:2
Surface treatment N.A.		Part No. CO23822	
Geometrical tolerance (ISO 2768-2)		Class K	Undimensioned bevels 0,5x45°
Linear tolerance (ISO 2768-2)		Class m	Undimensioned radii R 0,5
0,5 +3	>3+ 6	>6+ 30	>30+ 120
±0,1	±0,1	±0,2	±0,3
		±0,5	±0,8
		±1,2	±2
Date 24/04/2015		Name Rodella	
Designed 24/04/2015		Drawn Rodella	
Checked			
Drawing No. DP 23822-A		Sheet 1/1	
<small>Secret and confidential - All rights reserved - No copy, dissemination or circulation is allowed unless specifically authorized in writing by OPTO ENGINEERING S.r.l. - Any violation shall be legally prosecuted.</small>			

OPTO ENGINEERING S.r.l. - Mantova Italy - Tel. +39 0376 699111 - www.opto-engineering.com