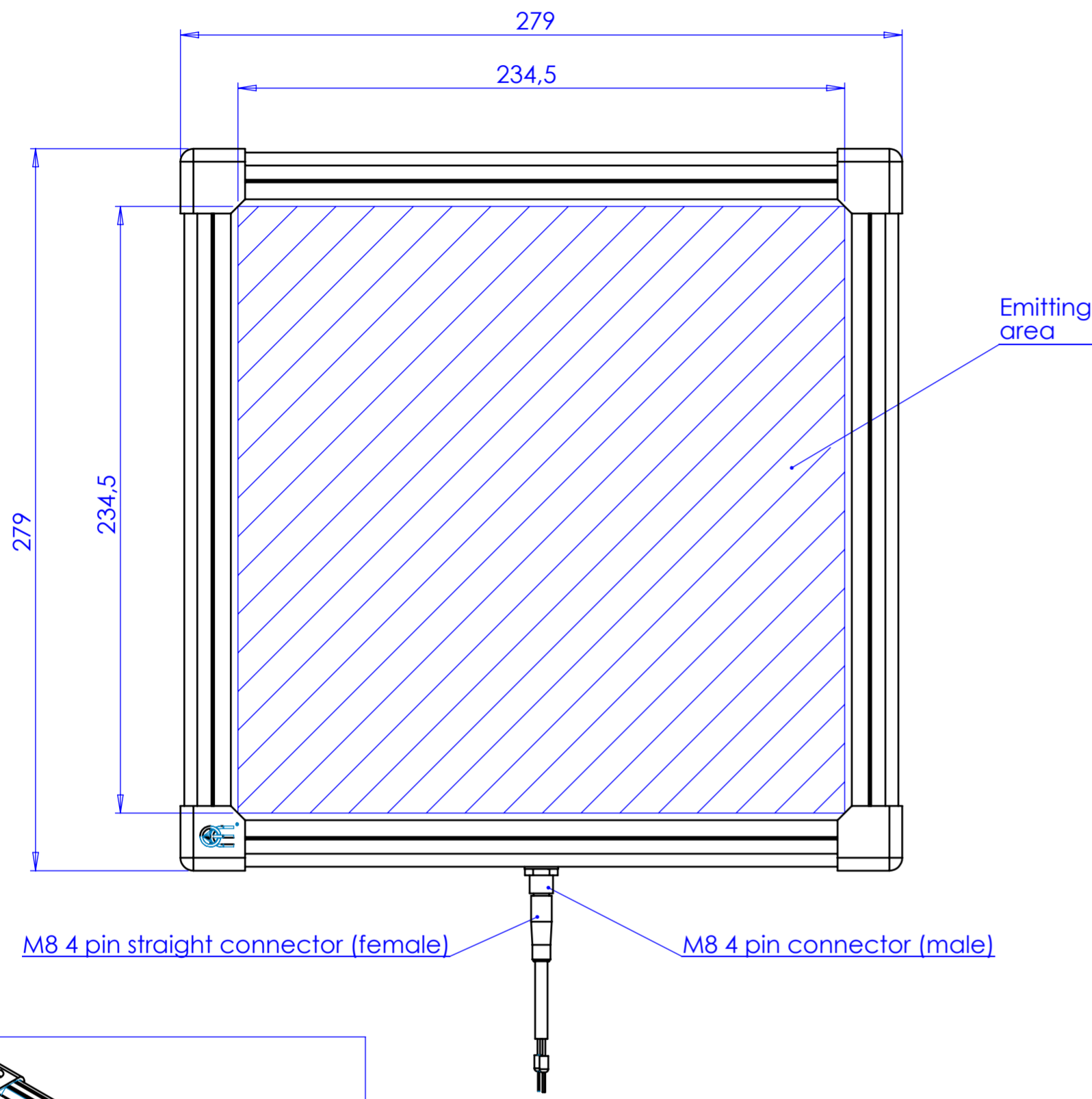
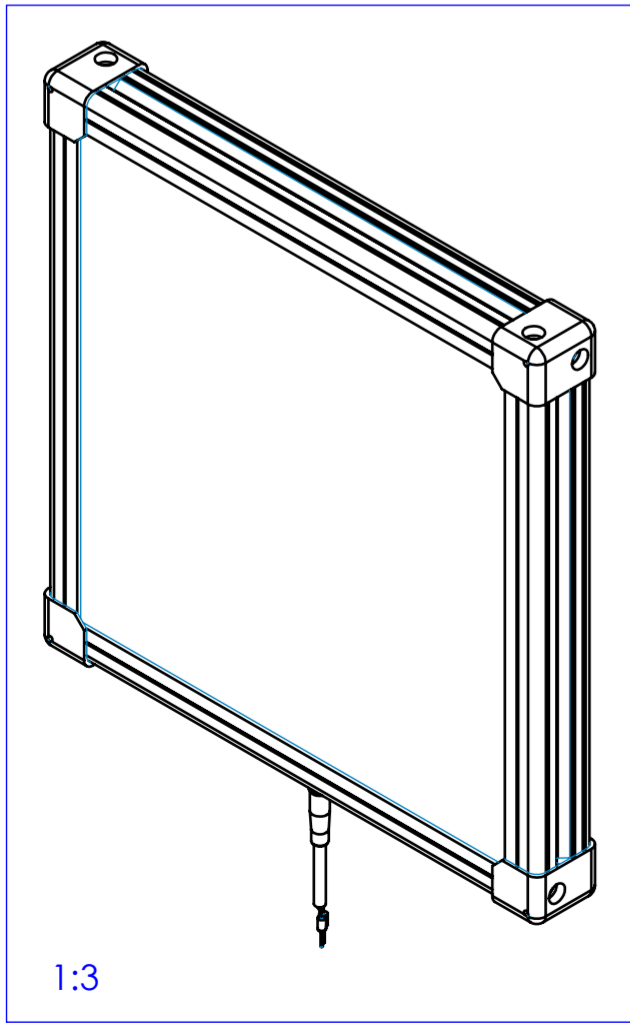
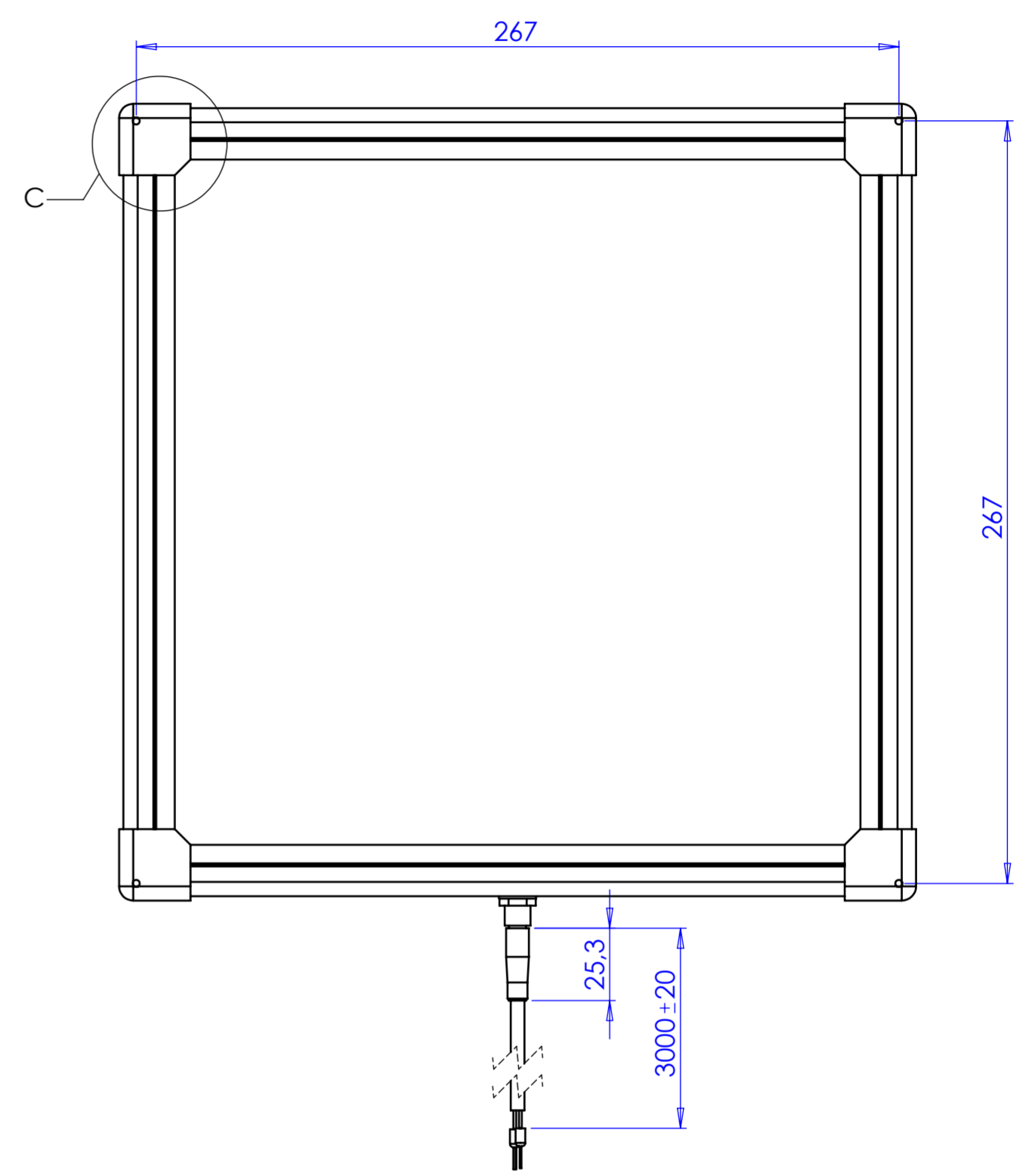
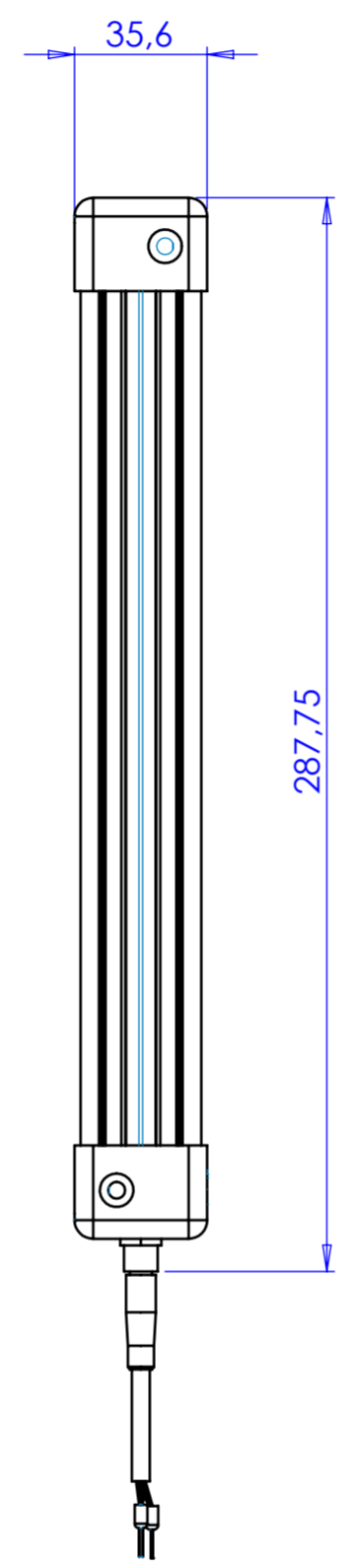


Rev No.	Description	Date	Name



4 x M3 ∇ 6
Mountin holes

DETAIL C
SCALE 1 : 1



Material Materiale <non specificato>		Mass 641 g	Scale 1:2
Surface treatment N.A.		Part No. CO23821	
Geometrical tolerance (ISO 2768-2)		Class	K
Linear tolerance (ISO 2768-2)		Class	m
0.5 +3	>3+ 6	>6+ 30	>30+ 120
±0.1	±0.1	±0.2	±0.3
		±0.5	±0.8
		±1.2	±2
Undimensioned bevels 0.5x45°		Undimensioned radii R 0.5	
Description LTBC234234-G		Date	Name
Drawing No. DP 23821-A		Designed 24/04/2015	Rodella
Sheet 1/1		Drawn 24/04/2015	Rodella
Checked			
<p>OPTO ENGINEERING S.r.l. - Mantova Italy - Tel. +39 0376 699111 - www.opto-engineering.com</p> <p><i>Secret and confidential - All rights reserved - No copy, dissemination or circulation is allowed unless specifically authorized in writing by OPTO ENGINEERING S.r.l. - Any violation shall be legally prosecuted.</i></p>			