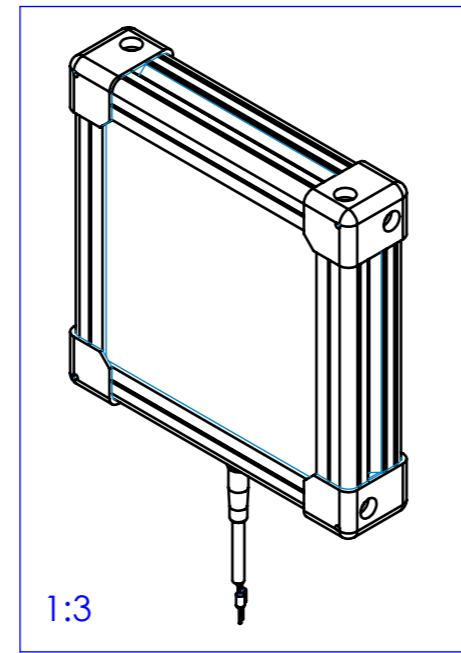
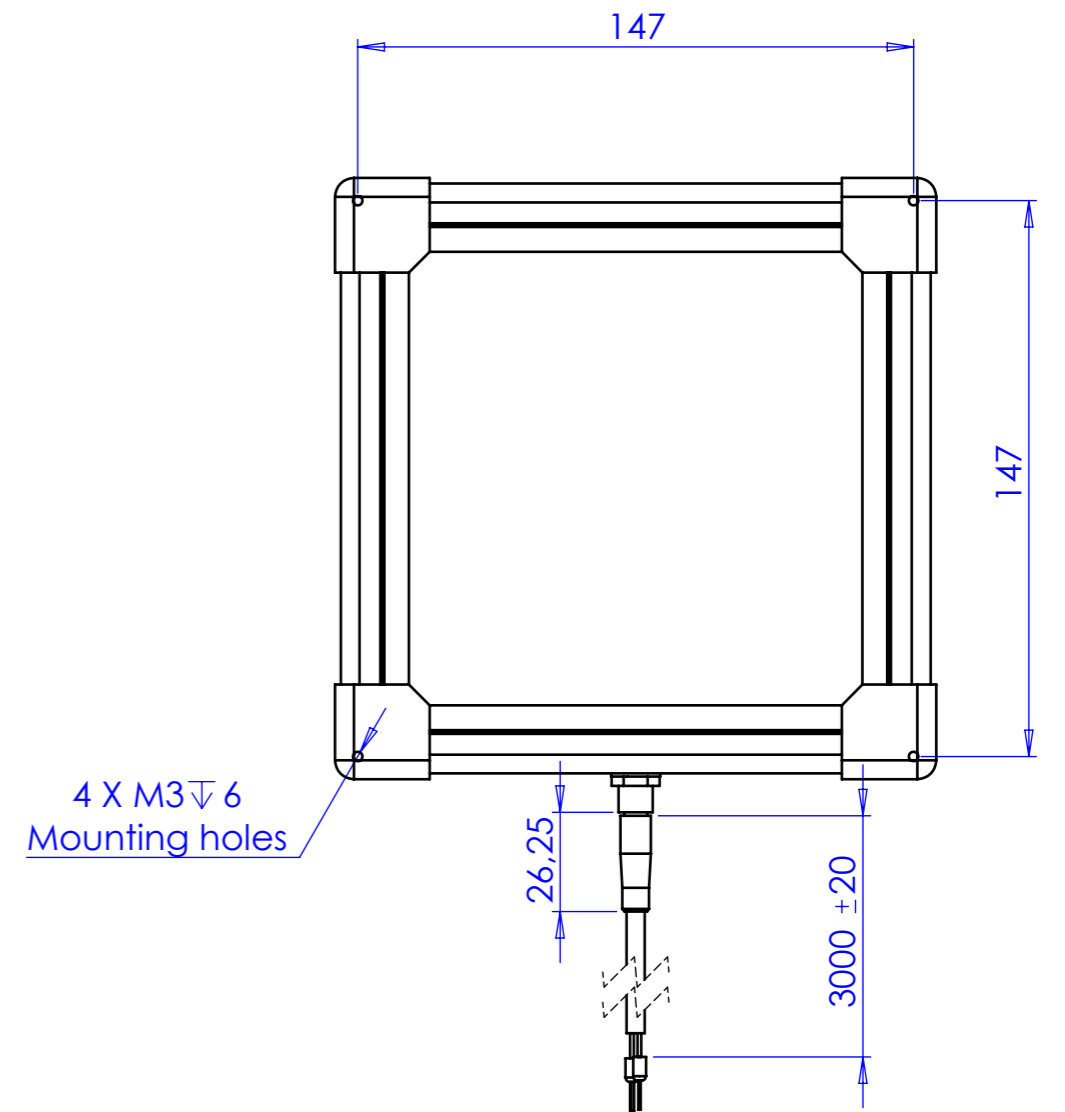
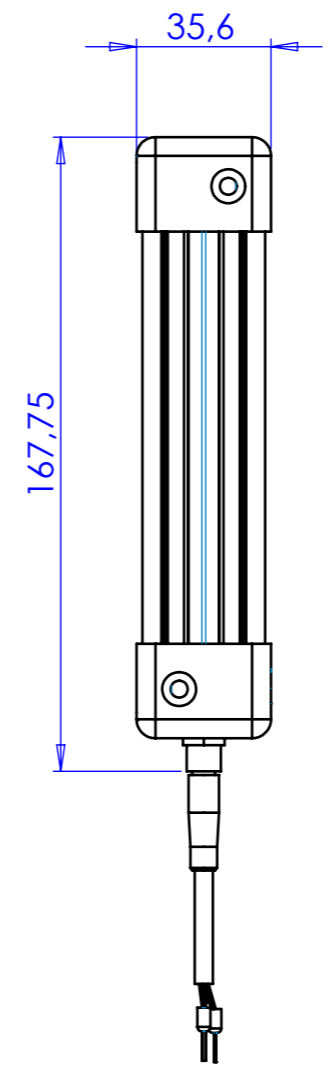
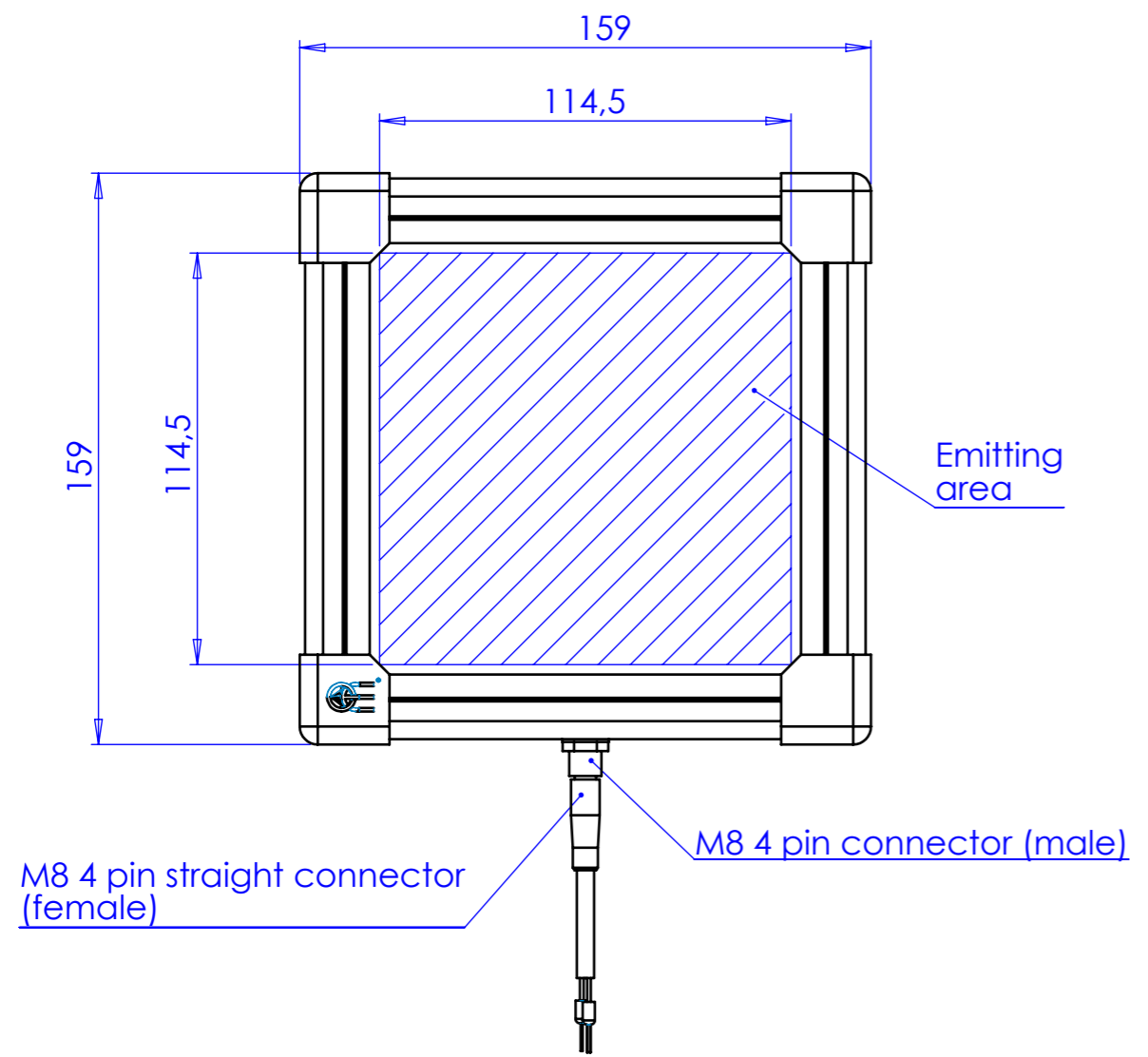


Rev No.	Description	Date	Name



Material Materiale <non specificato>		Mass 0 g		Scale 1:2	
Surface treatment N.A.		Part No. CO23818		Description LTBC114114-W	
Geometrical tolerance (ISO 2768-2)			Class K	Undimensioned bevels 0,5x45°	Drawing No. DP 23818-A
Linear tolerance (ISO 2768-2)			Class m	Undimensioned radii R 0,5	
0,5 ±3	>3± 6	>6± 30	>30± 120	>120 ±400	>400± 1000
>1000 ±2000	>2000 ±4000	>4000 ±1.2	>1.2 ±2	Date 24/04/2015	
Date 24/04/2015		Name Rodella		Sheet 1/1	
Date 24/04/2015		Name Rodella		Sheet 1/1	
Date 		Name 		Sheet 	

all dimensions are in mm

OPTO ENGINEERING S.r.l. - Mantova Italy - Tel. +39 0376 699111 - www.opto-engineering.com

Secret and confidential - All rights reserved - No copy, dissemination or circulation is allowed unless specifically authorized in writing by OPTO ENGINEERING S.r.l. - Any violation shall be legally prosecuted.