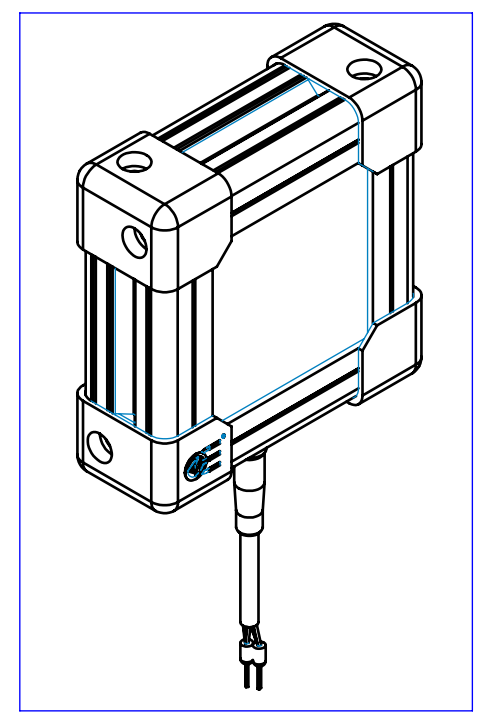
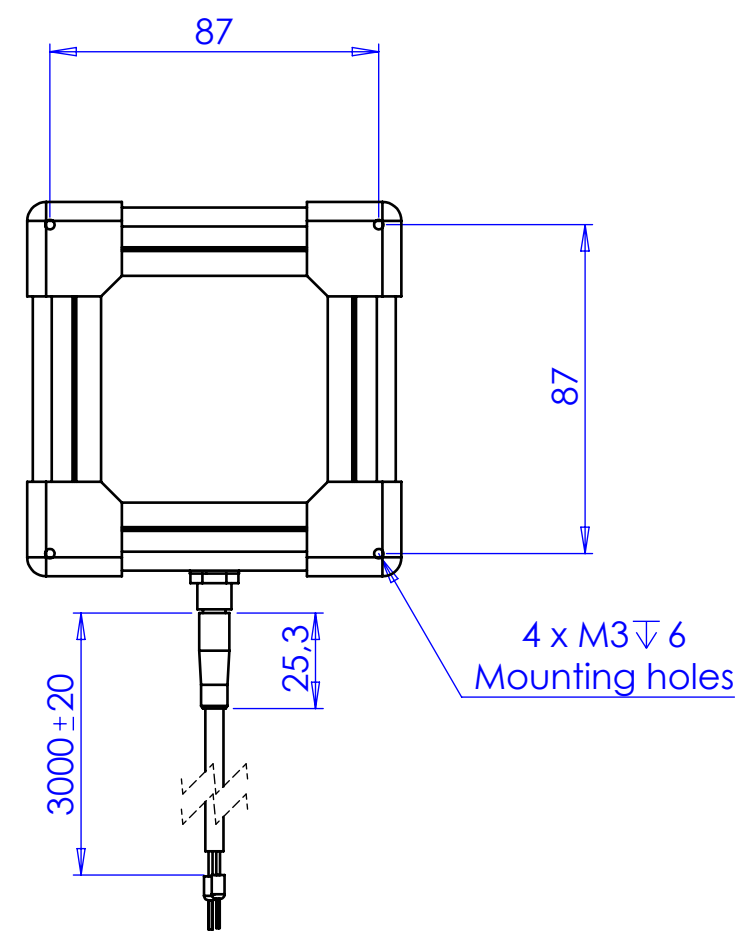
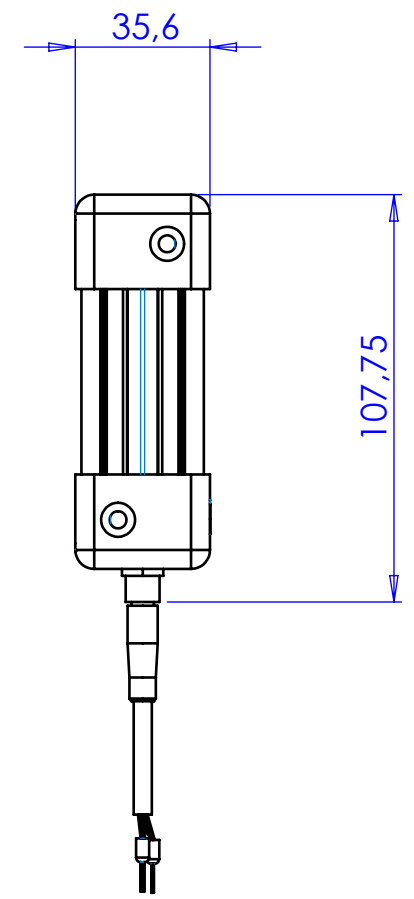
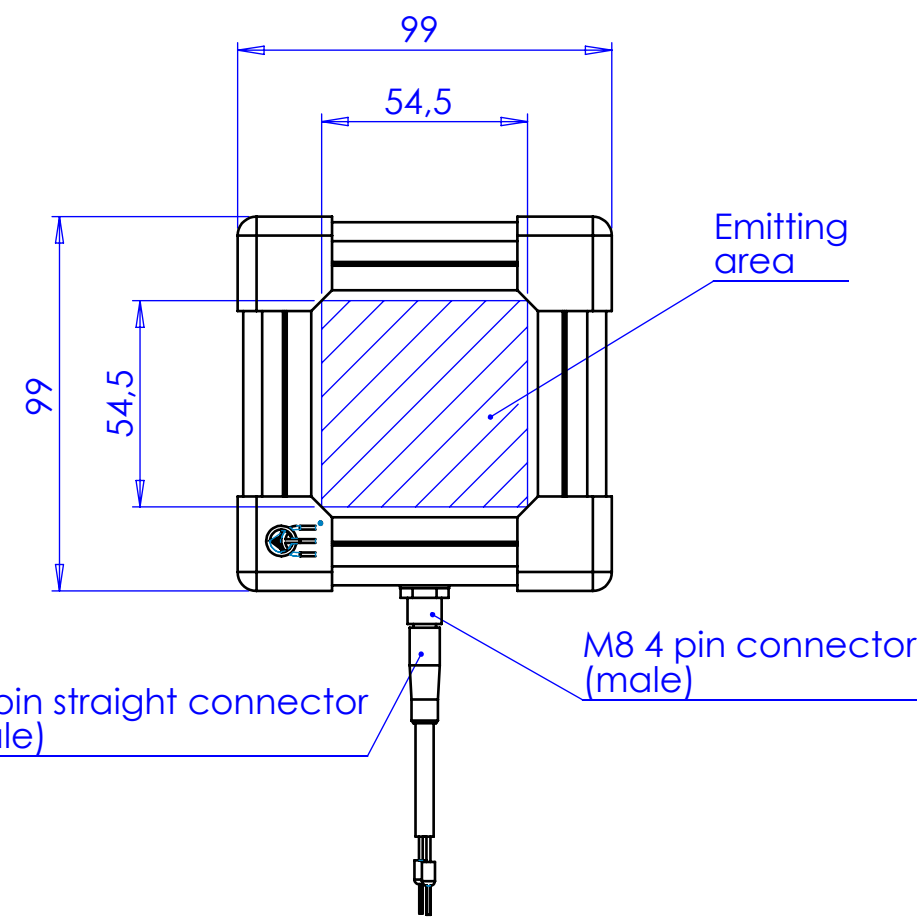


1 2 3 4 5 6 7 8

Rev No.	Description	Date	Name



Material Materiale <non specificato>		Mass 0 g		Scale 1:2	
Surface treatment N.A.		Part No. CO23816		Description LTBC054054-W	
Geometrical tolerance (ISO 2768-2)		Class K		Undimensioned bevels 0,5x45°	
Linear tolerance (ISO 2768-2)		Class m		Undimensioned radii R 0.5	
0.5 ±3	>3± 6	>6± 30	>30± 120	>120 ±400	>400± 1000
±0.1	±0.1	±0.2	±0.3	±0.5	±0.8
		Date		Name	
		Designed 24/04/2015		Rodella	
		Drawn 24/04/2015		Rodella	
		Checked			
		Drawing No.		Sheet	
		DP 23816-A		1/1	
<i>Secret and confidential - All rights reserved - No copy, dissemination or circulation is allowed unless specifically authorized in writing by OPTO ENGINEERING S.r.l. - Any violation shall be legally prosecuted.</i>					

all dimensions are in mm



OPTO ENGINEERING S.r.l. - Mantova Italy - Tel. +39 0376 699111 - www.opto-engineering.com

1 2 3 4 5 6 7 8

0 1 2 3 4 5 6 7 8 9 10