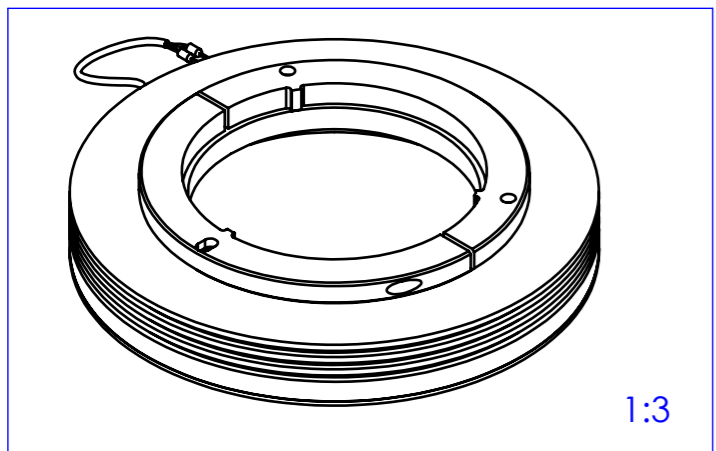
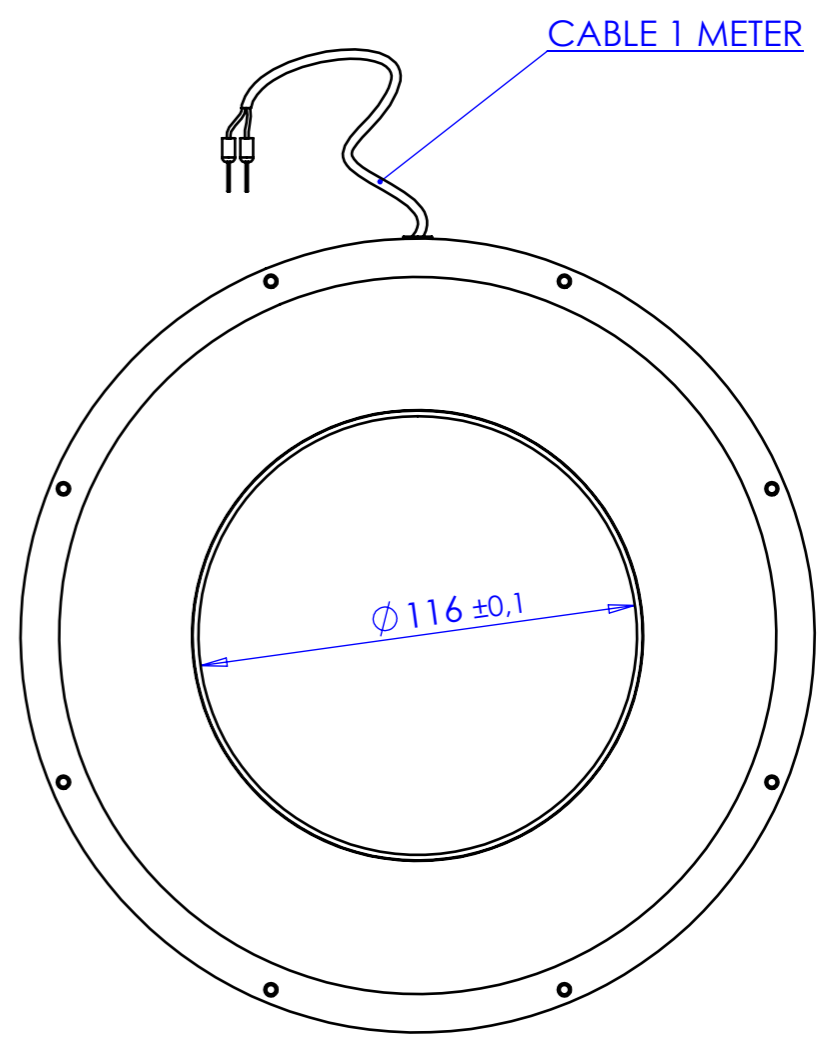
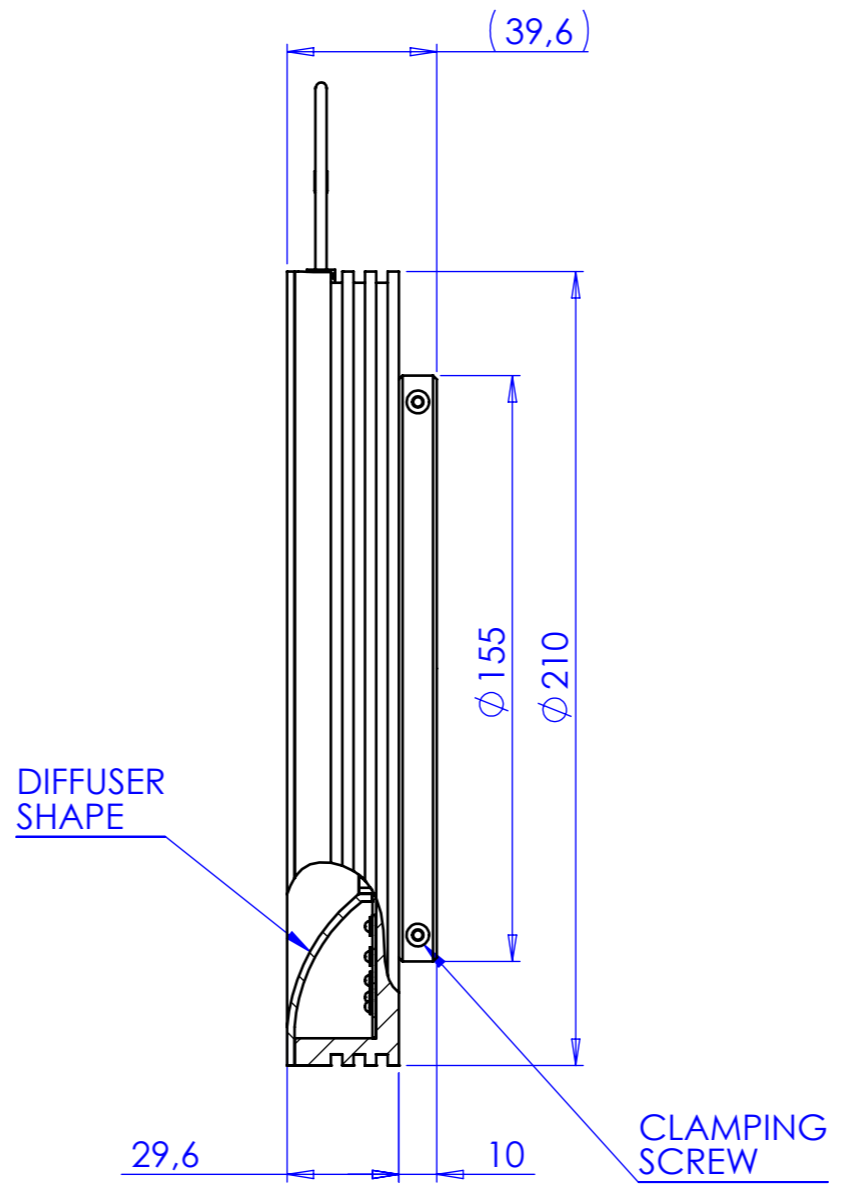
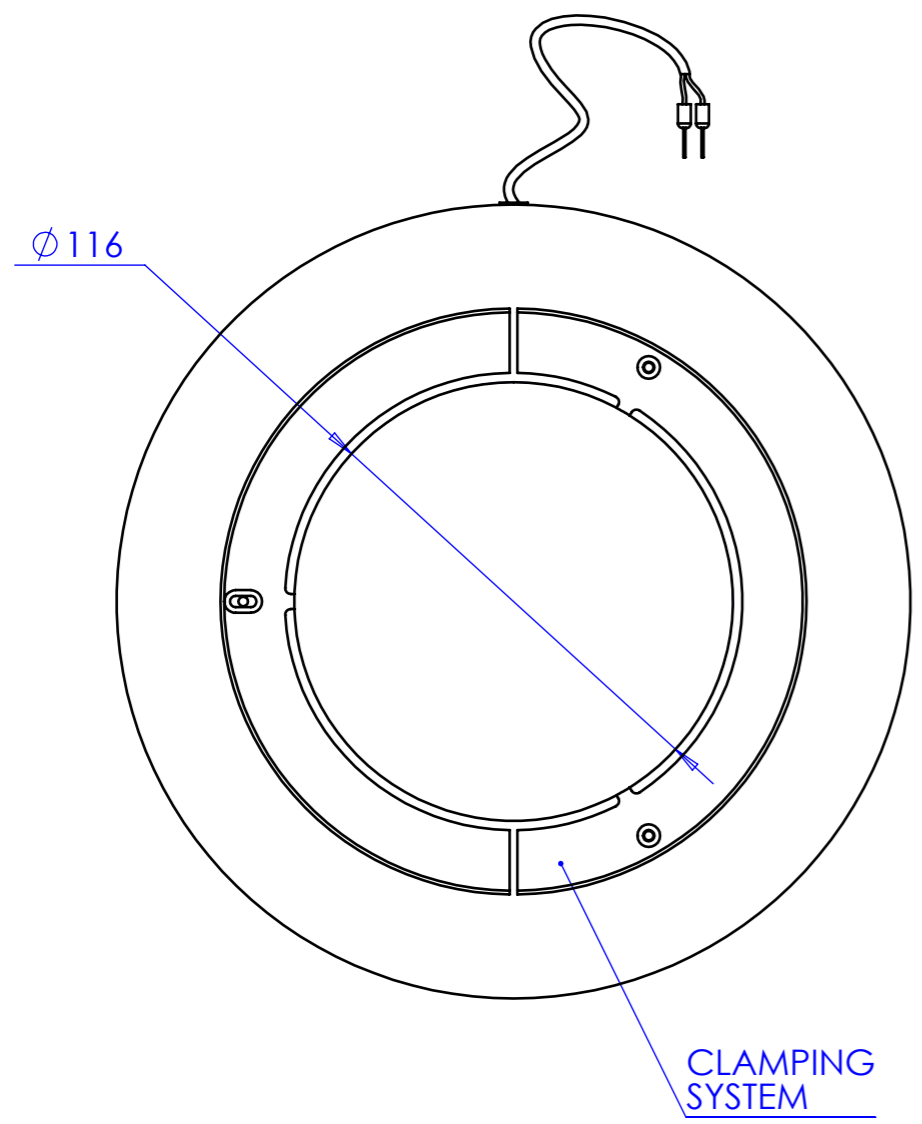


1 2 3 4 5 6 7 8

Rev No.	Description	Date	Name



Material	N.A.	Mass	368 g	Scale	1:2
Surface treatment	N.A.	Part No.	CO23569		
Geometrical tolerance (ISO 2768-2)		Class	K	Undimensioned bevels	0,5x45°
Linear tolerance (ISO 2768-2)		Class	m	Undimensioned radii	R 0,5
0,5 ±3	>3± 6	>6± 30	>30± 120	>120 ±400	>400± 1000
>1000 ±2000	>2000 ±4000	>4000 ±1.2	>2000 ±2		
		Date	Name	Drawing No.	Sheet
		Designed	18/12/2014	Rodella	1/1
		Drawn	04/02/2015	Rodella	
		Checked			
Description <b>LTRN210R 20</b>					
Drawing No. <b>DP 23569-A</b>					
Secret and confidential - All rights reserved - No copy, dissemination or circulation is allowed unless specifically authorized in writing by OPTO ENGINEERING S.r.l. - Any violation shall be legally prosecuted.					

all dimensions are in mm



OPTO ENGINEERING S.r.l. - Mantova Italy - Tel. +39 0376 699111 - www.opto-engineering.com

0 1 2 3 4 5 6 7 8 9 10

D  
C  
B  
A

D  
C  
B  
A