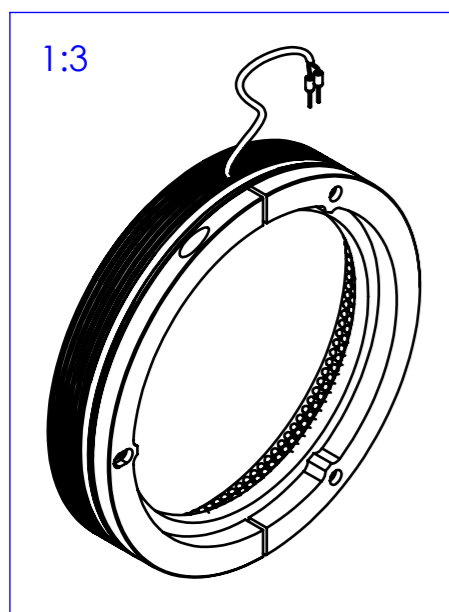
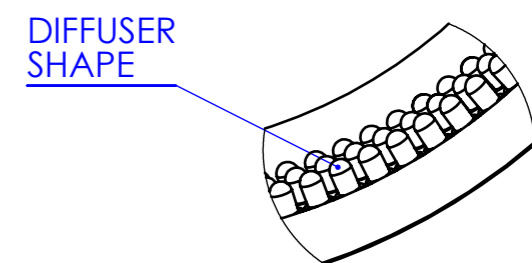
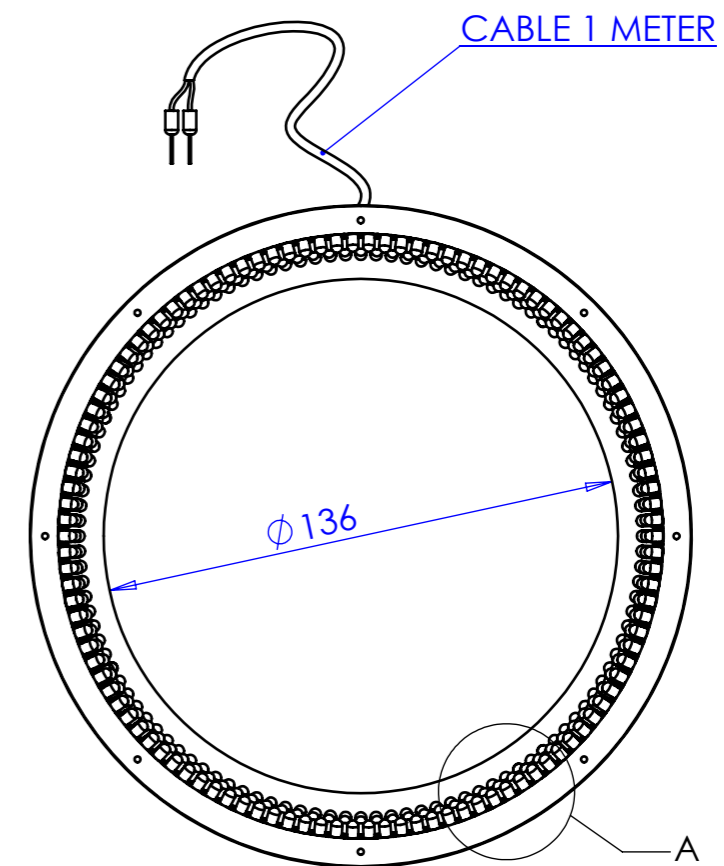
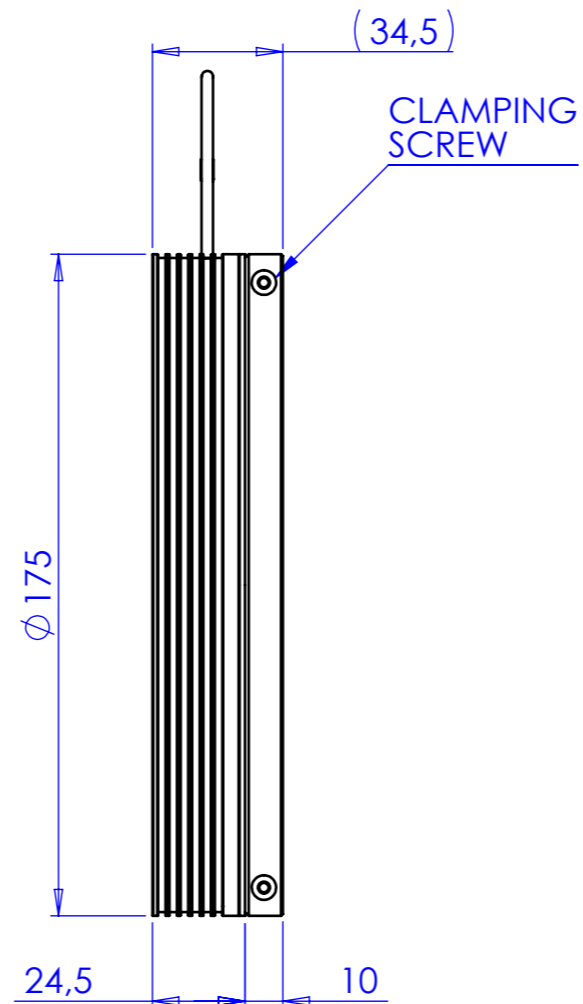
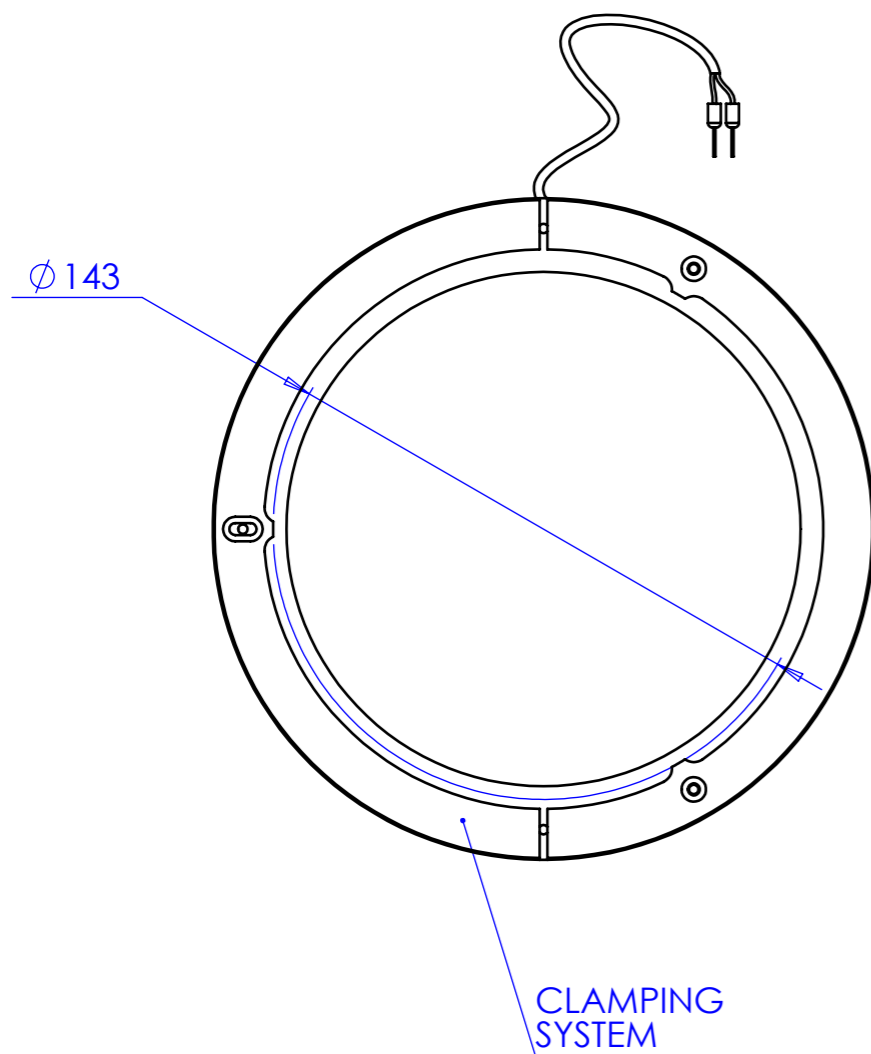


| Rev No. | Description | Date | Name |
|---------|-------------|------|------|
|         |             |      |      |
|         |             |      |      |
|         |             |      |      |



|   |      |      |             |            |                      |         |       |
|---|------|------|-------------|------------|----------------------|---------|-------|
| Material  | N.A. |      | Mass        | 155 g      | Scale                | 1:2     |       |
| Surface treatment   | N.A. |      | Part No.    | CO23565    |                      |         |       |
| Geometrical tolerance (ISO 2768-2)  |      |      | Class       | K          | Undimensioned bevels | 0,5x45° |       |
| Linear tolerance (ISO 2768-2)   |      |      | Class       | m          | Undimensioned radii  | R 0.5   |       |
| 0.5   | >3   | >6   | >30         | >120       | >400                 | >1000   | >2000 |
| ±3  | ±6   | ±30  | ±120        | ±400       | ±1000                | ±2000   | ±4000 |
| ±0.1  | ±0.1 | ±0.2 | ±0.3        | ±0.5       | ±0.8                 | ±1.2    | ±2    |
| all dimensions are in mm  |      |      | Date        | Name       | Drawing No.          | Sheet   |       |
|   |      |      | Designed    | 18/12/2014 | Rodella              | 1/1     |       |
|   |      |      | Drawn       | 04/02/2015 | Rodella              |         |       |
|   |      |      | Checked     |            |                      |         |       |
| <b>OPTO ENGINEERING S.r.l. - Mantova Italy - Tel. +39 0376 699111 - www.opto-engineering.com</b>  |      |      | Description |            | LTRN165G 45          |         |       |
|   |      |      | Drawing No. |            | DP 23565-A           |         |       |
| <i>Secret and confidential - All rights reserved - No copy, dissemination or circulation is allowed unless specifically authorized in writing by OPTO ENGINEERING S.r.l. - Any violation shall be legally prosecuted.</i> |      |      |             |            |                      |         |       |