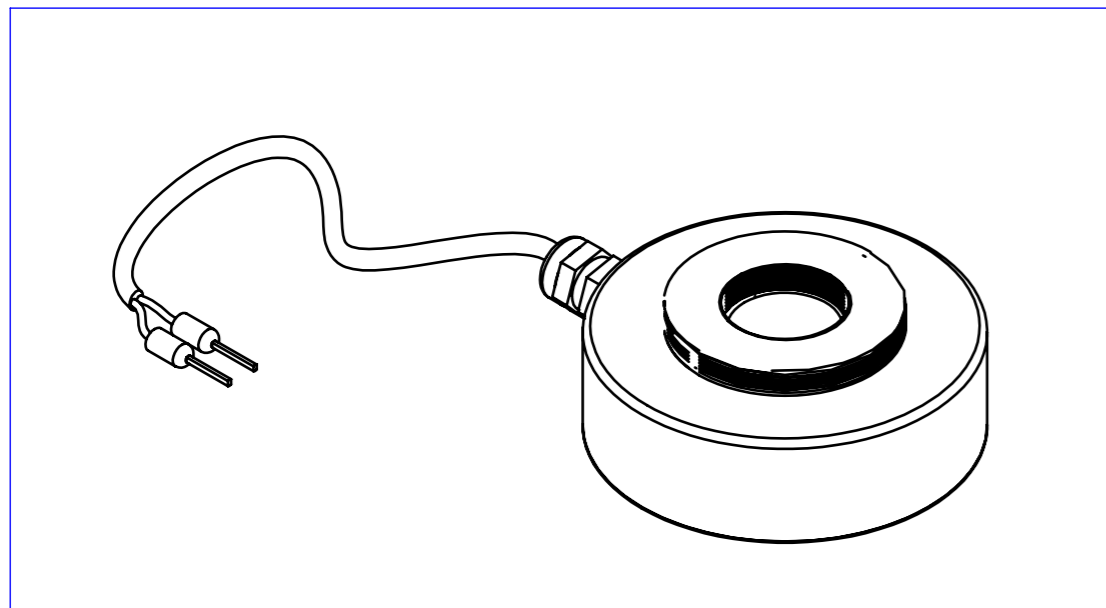
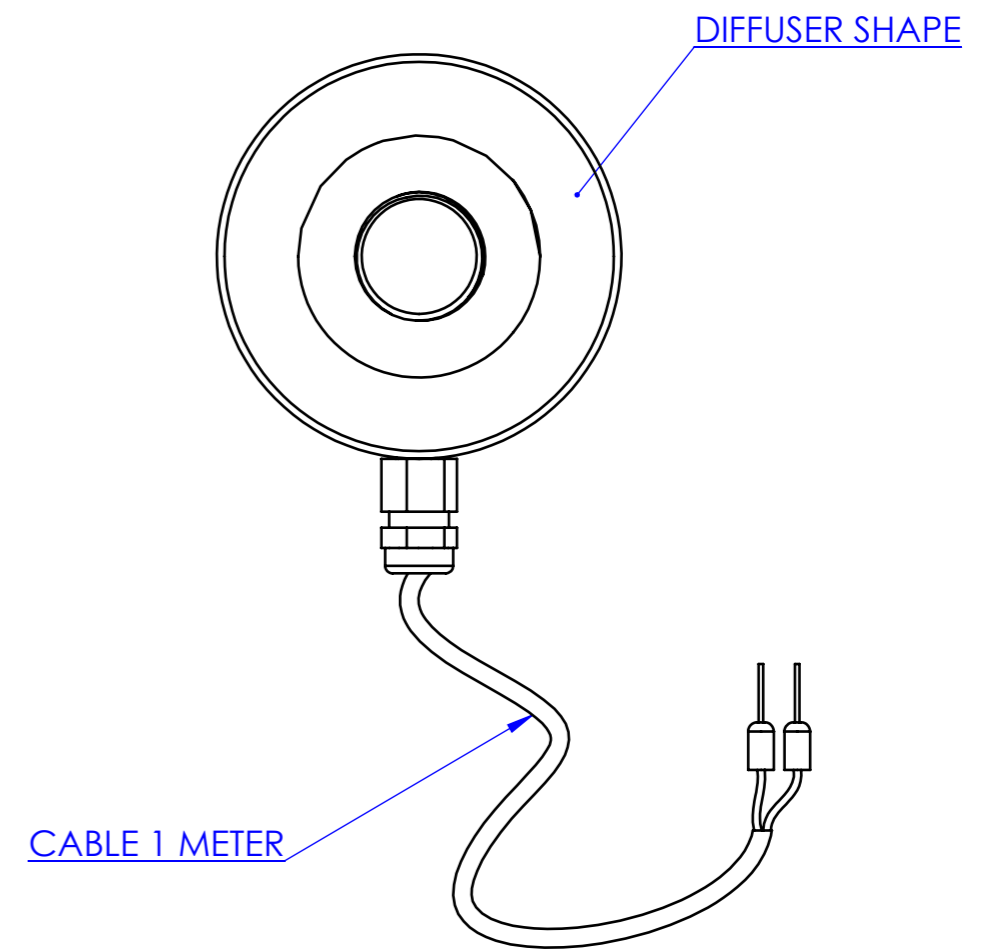
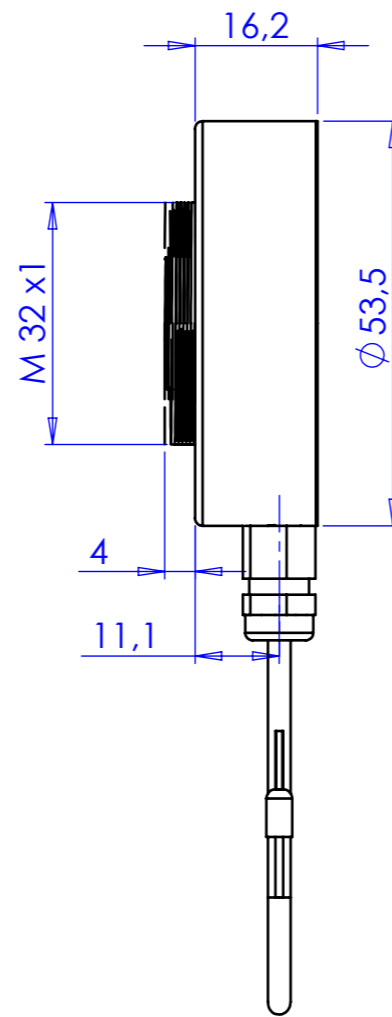
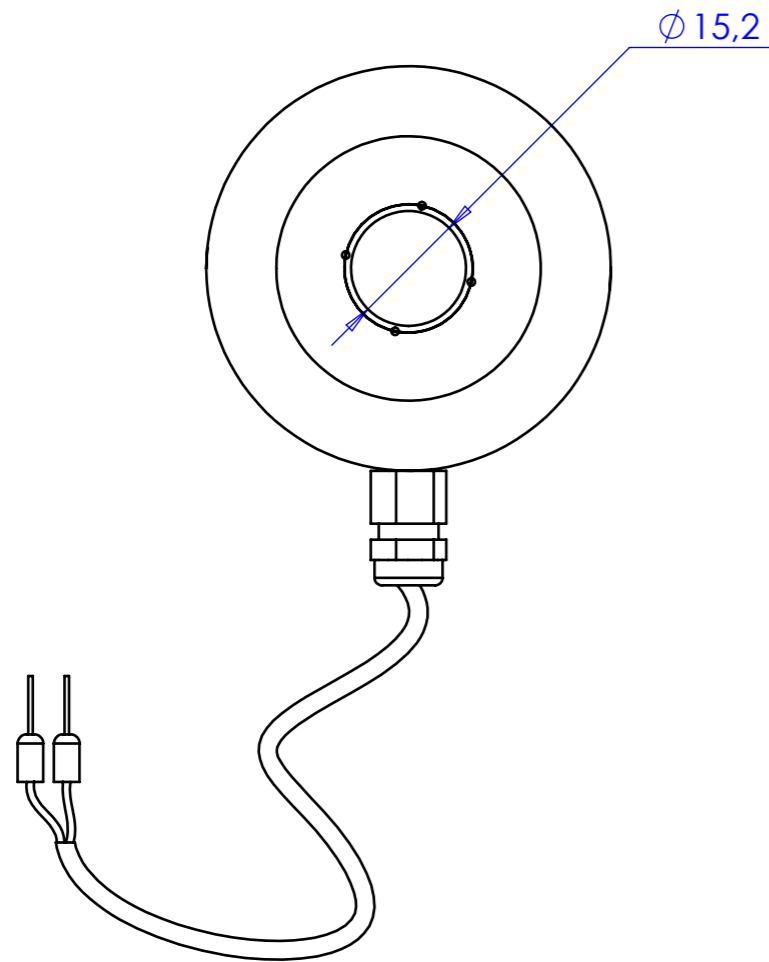


1 2 3 4 5 6 7 8

Rev No.	Description	Date	Name



Material		N.A.		Mass		2 g		Scale		1:1			
Surface treatment		N.A.		Part No.		CO23562							
Geometrical tolerance (ISO 2768-2)								Class		K			
Linear tolerance (ISO 2768-2)								Class		m			
0.5	>3	>6	>30	>120	>400	>1000	>2000	Undimensioned bevels	0.5x45°				
±3	6	30	120	±400	1000	±2000	±4000	Undimensioned radii	R 0.5				
±0.1	±0.1	±0.2	±0.3	±0.5	±0.8	±1.2	±2	Date		Name			
		Designed		29/12/2014		Name		Rodella					
		Drawn		04/02/2015		Name		Rodella					
		Checked				Name							
Drawing No.								DP 23562-A		Sheet		1/1	
<i>Secret and confidential - All rights reserved - No copy, dissemination or circulation is allowed unless specifically authorized in writing by OPTO ENGINEERING S.r.l. - Any violation shall be legally prosecuted.</i>													

all dimensions are in mm

1 2 3 4 5 6 7 8

0 1 2 3 4 5 6 7 8 9 10