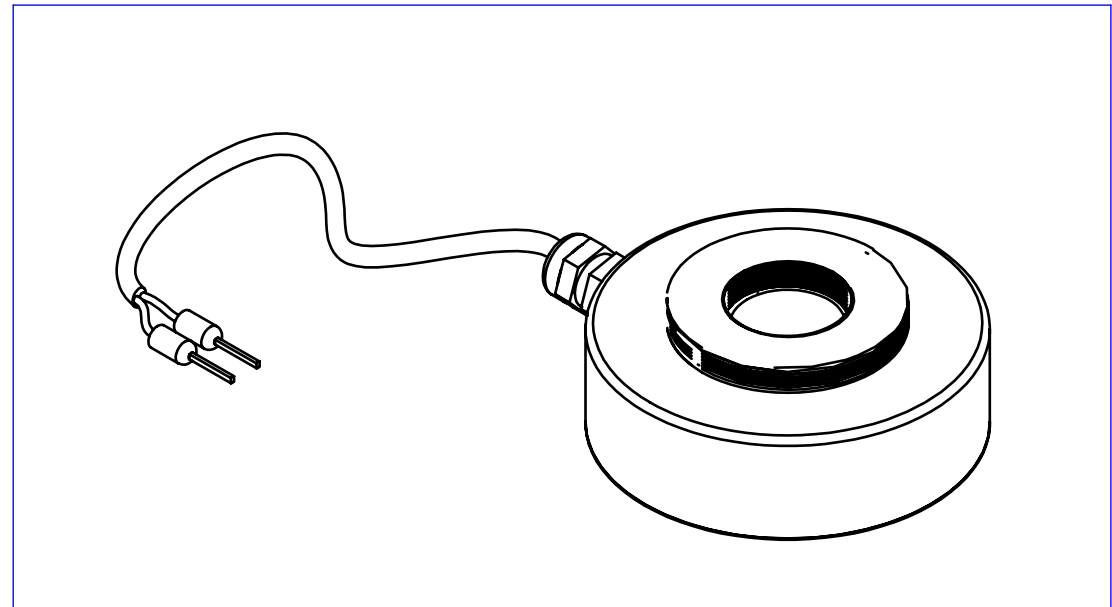
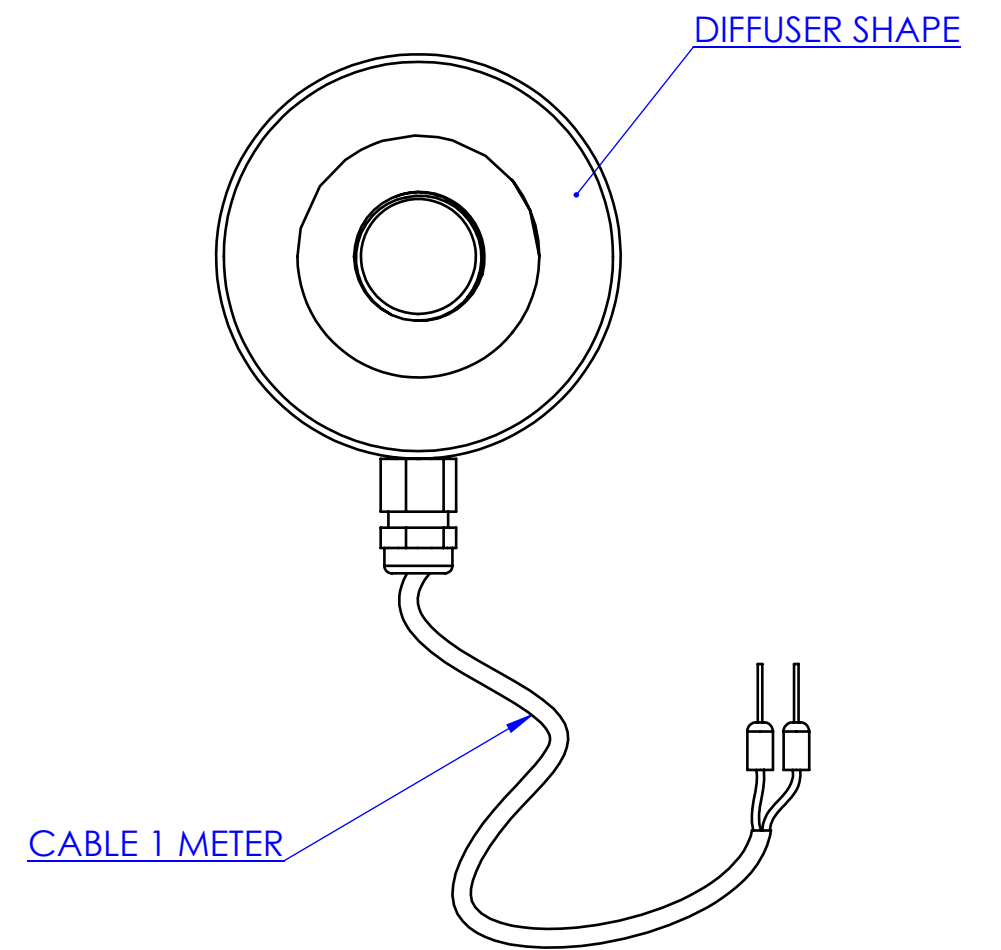
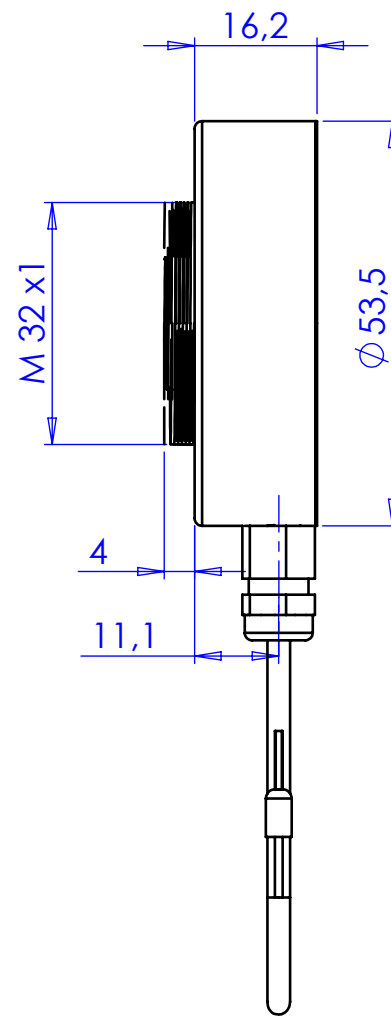
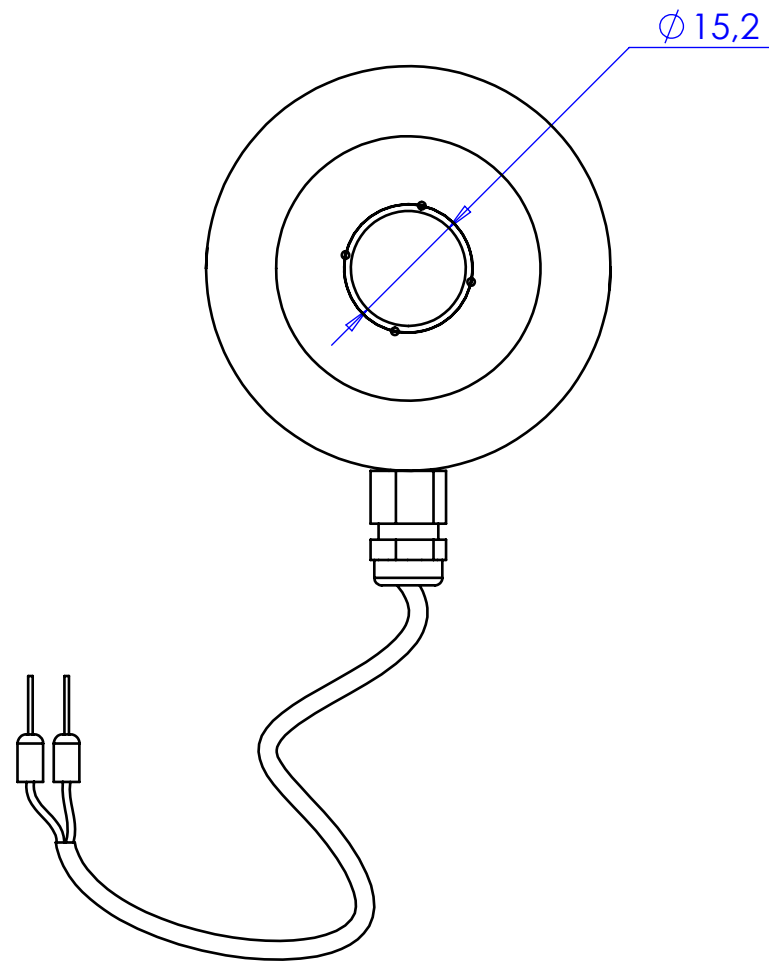


1 2 3 4 5 6 7 8

Rev No.	Description	Date	Name



Material		N.A.		Mass		2 g		Scale		1:1					
Surface treatment		N.A.		Part No.		CO23561									
Geometrical tolerance (ISO 2768-2)								Class	K	Undimensioned bevels		0,5x45°			
Linear tolerance (ISO 2768-2)								Class	m	Undimensioned radii		R 0.5			
0.5 ±3	>3± 6	>6± 30	>30± 120	>120 ±400	>400± 1000	>1000 ±2000	>2000 ±4000	±0.1	±0.1	±0.2	±0.3	±0.5	±0.8	±1.2	±2
Date		Name		Drawing No.		Sheet									
Designed		29/12/2014		Rodella		1/1									
Drawn		04/02/2015		Rodella											
Checked															
OPTO ENGINEERING S.r.l. - Mantova Italy - Tel. +39 0376 699111 - www.opto-engineering.com Secret and confidential - All rights reserved - No copy, dissemination or circulation is allowed unless specifically authorized in writing by OPTO ENGINEERING S.r.l. - Any violation shall be legally prosecuted.															

1 2 3 4 5 6 7 8

0 1 2 3 4 5 6 7 8 9 10

D  
C  
B  
A

D  
C  
B  
A

all dimensions are in mm