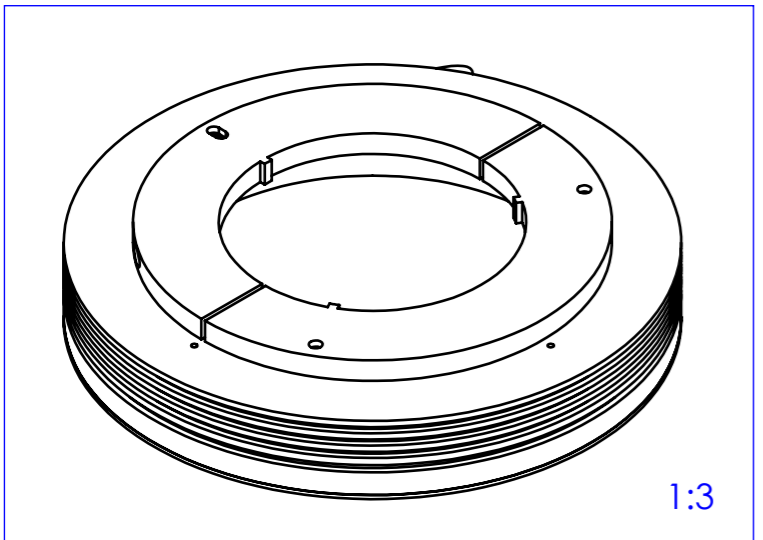
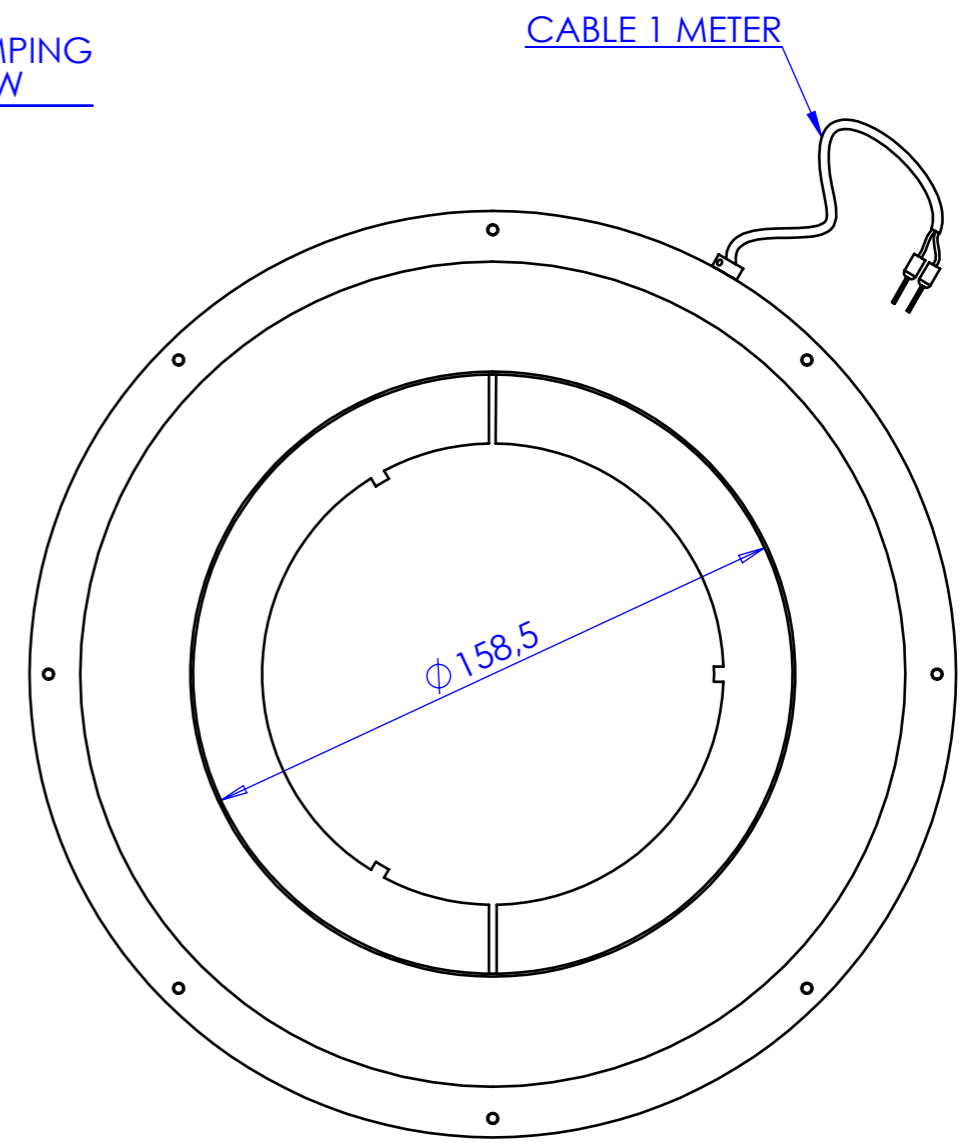
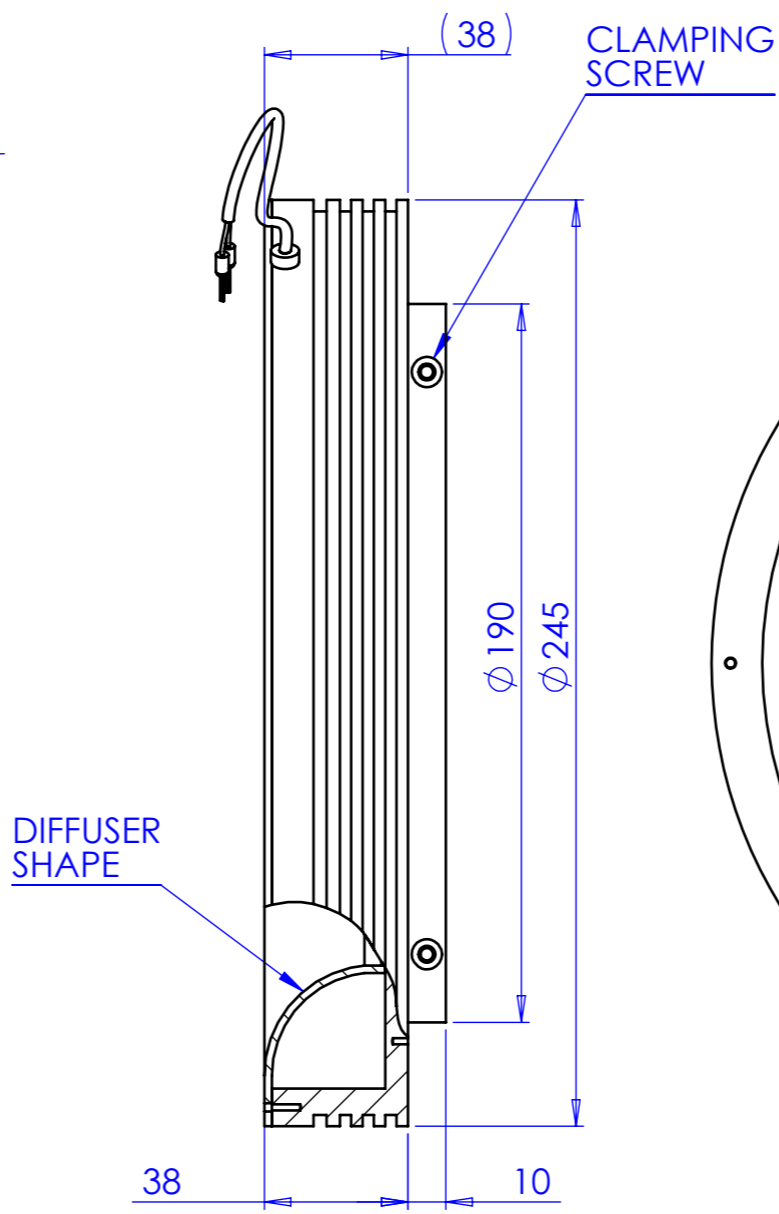
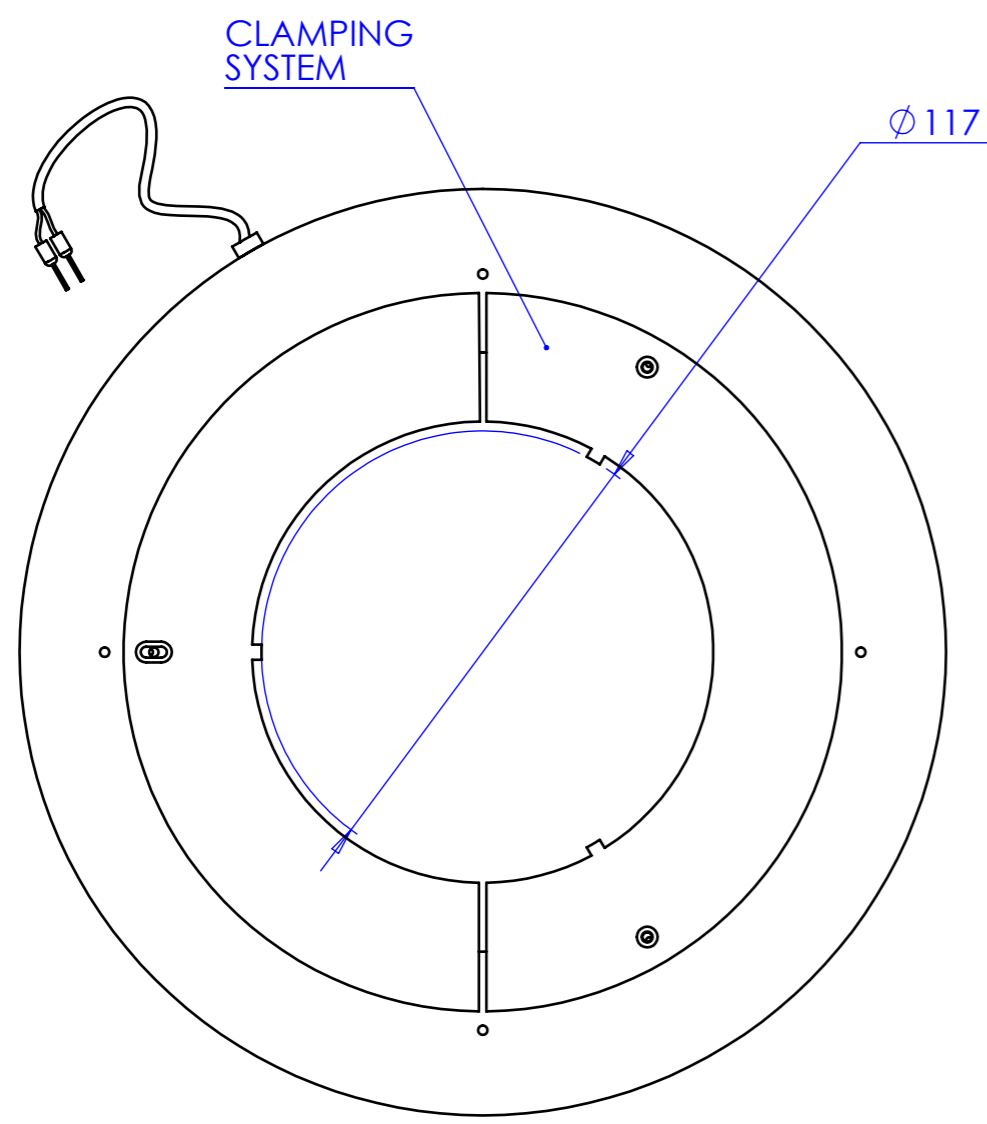


1 2 3 4 5 6 7 8

Rev No.	Description	Date	Name

D
C
B
A

D
C
B
A



Material	N.A.			Mass	590 g	Scale	1:2
Surface treatment	N.A.			Part No.	CO23502		
Geometrical tolerance (ISO 2768-2)			Class	K	Description		
Linear tolerance (ISO 2768-2)			Class	m	LTRN245B 45		
0.5	>3±	>6±	>30±	>120	>400±	>1000	>2000
±3	6	30	120	±400	1000	±2000	±4000
±0.1	±0.1	±0.2	±0.3	±0.5	±0.8	±1.2	±2
Undimensioned bevels			0.5x45°		Undimensioned radii		
R 0.5			Drawing No.				
R 0.5			Date		Name		Sheet
R 0.5			18/12/2014		Rodella		1/1
R 0.5			18/12/2014		Rodella		
R 0.5							
Secret and confidential - All rights reserved - No copy, dissemination or circulation is allowed unless specifically authorized in writing by OPTO ENGINEERING S.r.l. - Any violation shall be legally prosecuted.							

all dimensions are in mm



OPTO ENGINEERING S.r.l. - Mantova Italy - Tel. +39 0376 699111 - www.opto-engineering.com

1 2 3 4 5 6 7 8

0 1 2 3 4 5 6 7 8 9 10