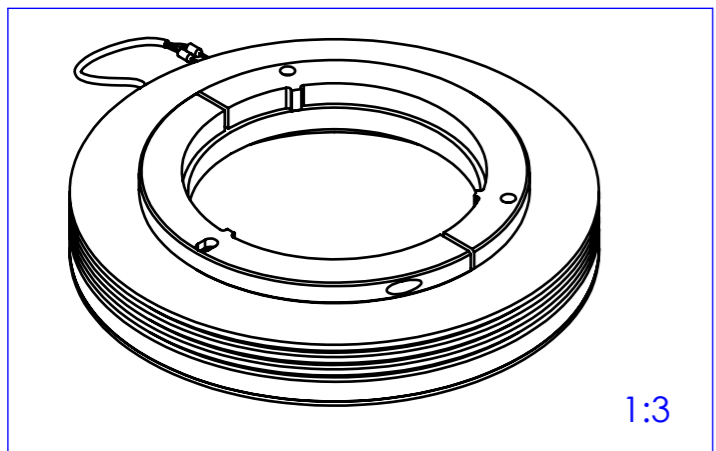
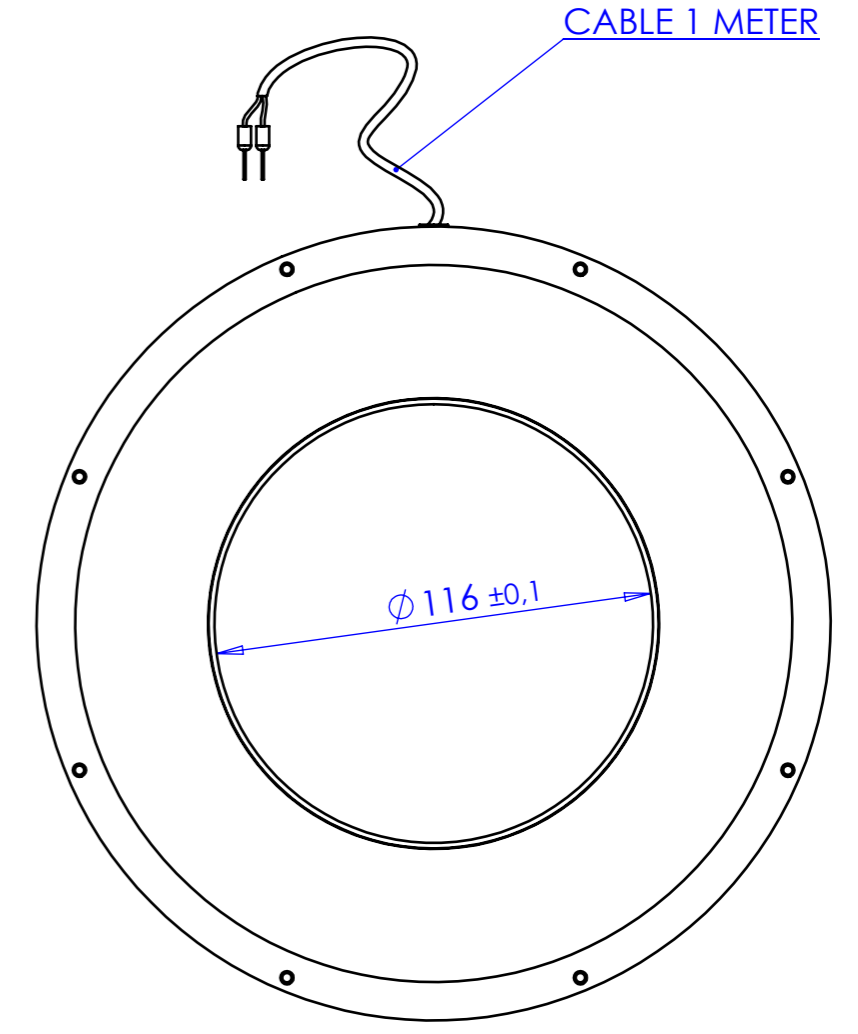
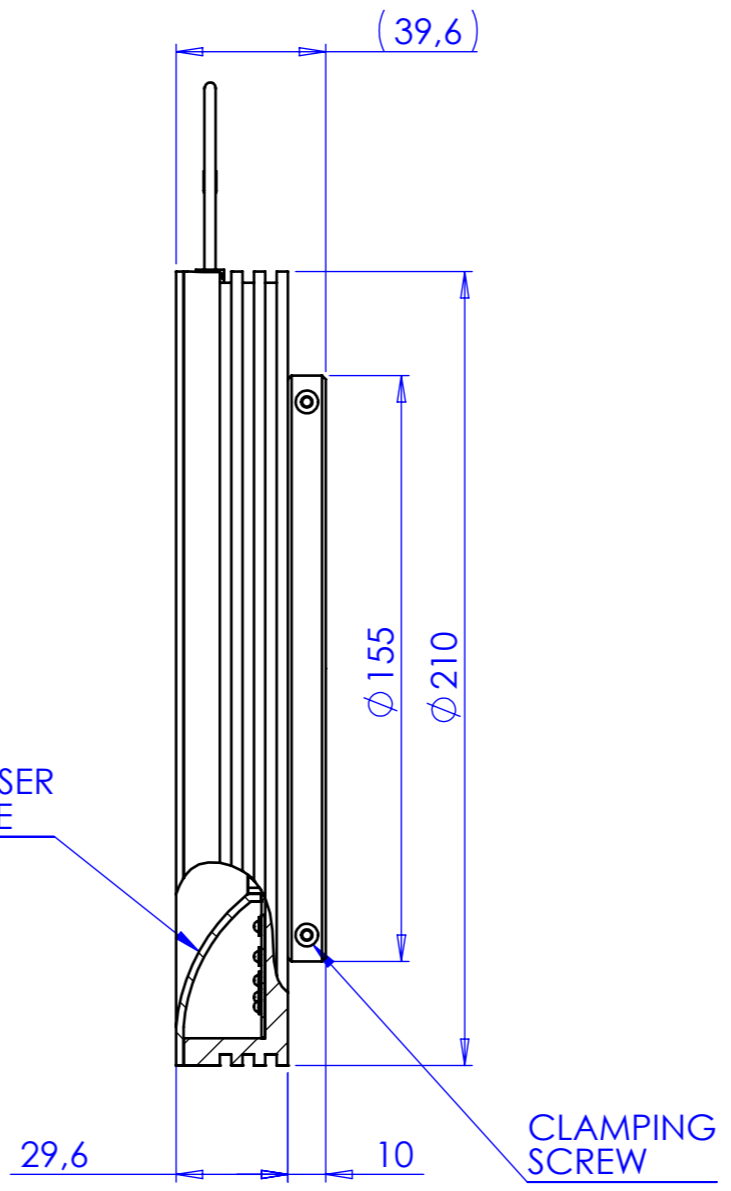
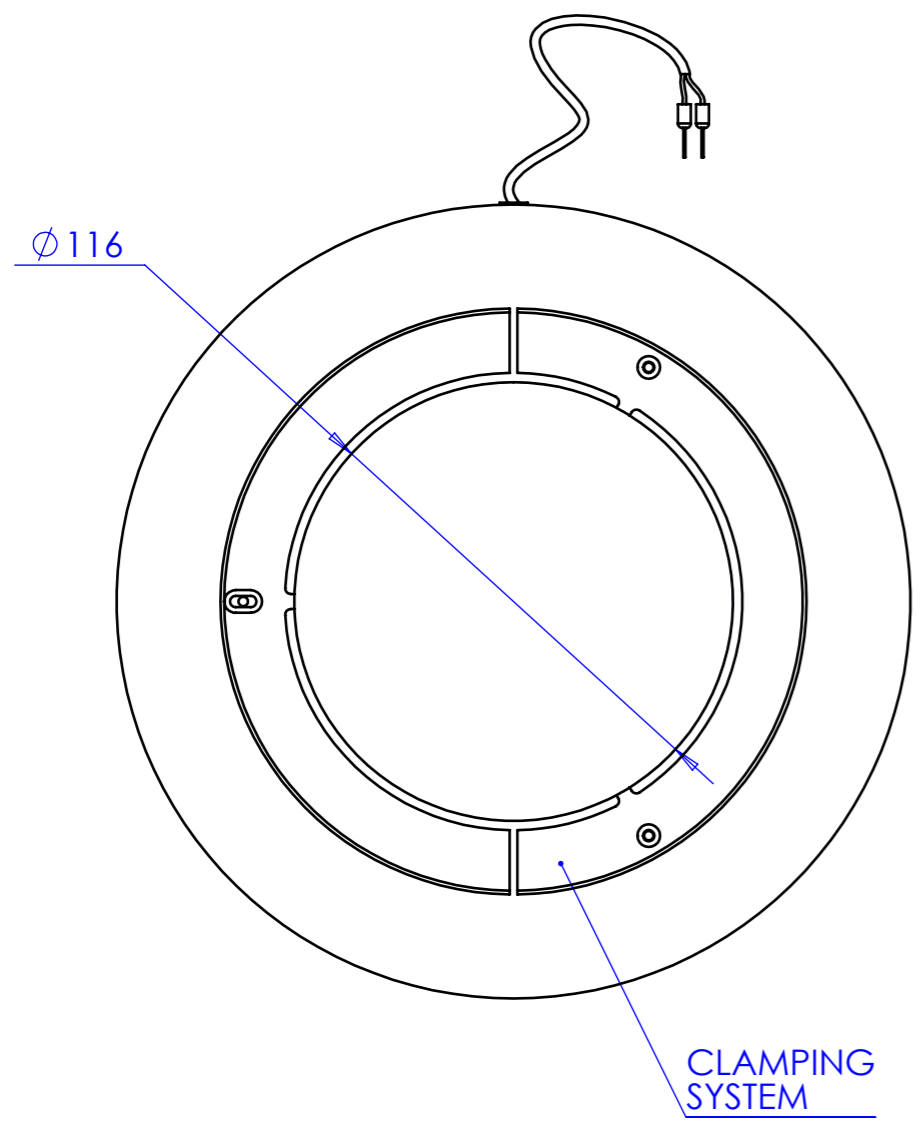


Rev No.	Description	Date	Name



Material	N.A.		Mass	368 g	Scale	1:2	
Surface treatment	N.A.		Part No.	CO23490			
Geometrical tolerance (ISO 2768-2)			Class	K	Undimensioned bevels	0,5x45°	
Linear tolerance (ISO 2768-2)			Class	m	Undimensioned radii	R 0,5	
0,5 ±3	>3± 6	>6± 30	>30± 120	>120 ±400	>400± 1000	>1000 ±2000	>2000 ±4000
±0,1	±0,1	±0,2	±0,3	±0,5	±0,8	±1,2	±2
 OPTO ENGINEERING S.r.l. - Mantova Italy - Tel. +39 0376 699111 - www.opto-engineering.com			Date	Name	Drawing No.	Sheet	
			Designed	18/12/2014	Rodella	DP 23490-A	1/1
			Drawn	18/12/2014	Rodella		
all dimensions are in mm			Checked		Secret and confidential - All rights reserved - No copy, dissemination or circulation is allowed unless specifically authorized in writing by OPTO ENGINEERING S.r.l. - Any violation shall be legally prosecuted.		