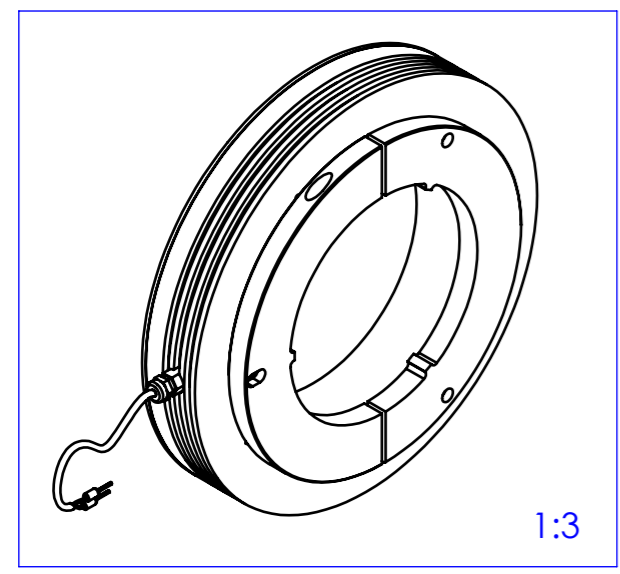
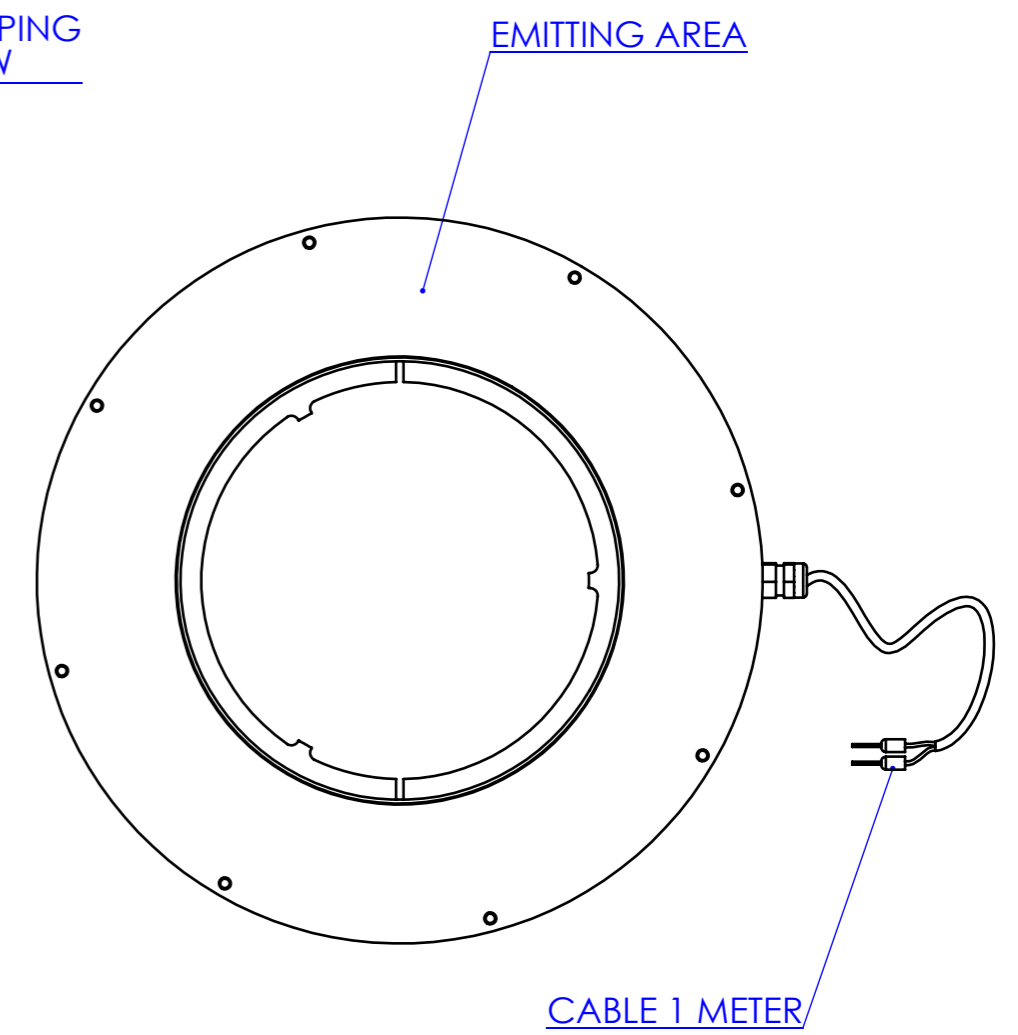
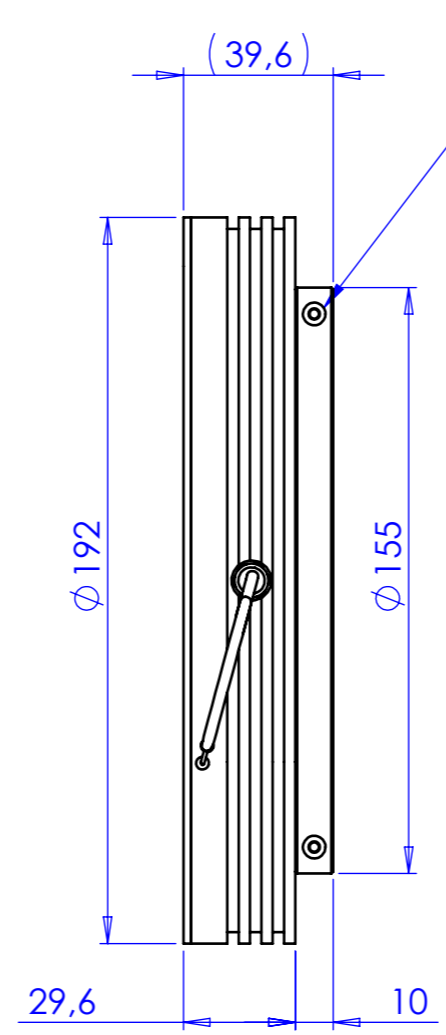
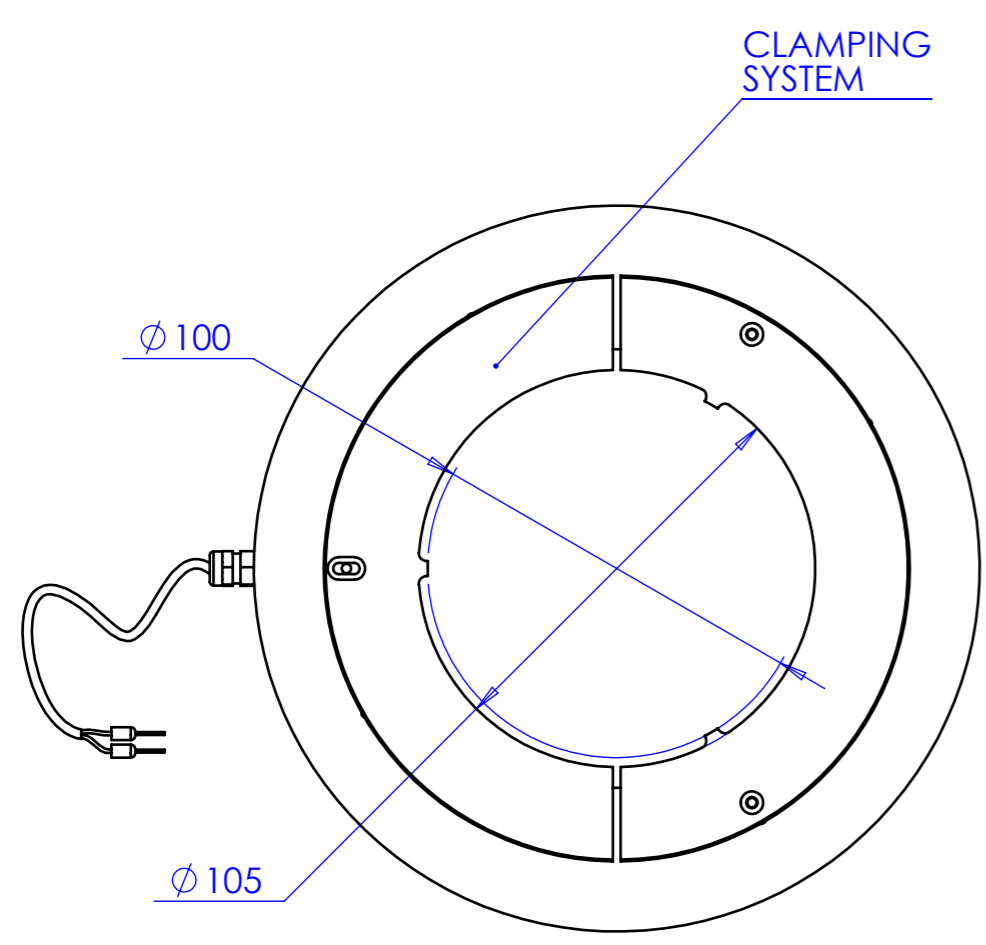


Rev No.	Description	Date	Name



Material	N.A.		Mass	381 g	Scale	1:2
Surface treatment	N.A.		Part No.	CO23455		
Geometrical tolerance (ISO 2768-2)			Class	K	Undimensioned bevels	0,5x45°
Linear tolerance (ISO 2768-2)			Class	m	Undimensioned radii	R 0.5
0.5	>3±	>6±	>30±	>120	>400±	>1000
±3	6	30	120	±400	1000	±2000
±0.1	±0.1	±0.2	±0.3	±0.5	±0.8	±1.2
±2	±2	±2	±2	±2	±2	±2
Date			Name			
Designed			16/12/2014			
Drawn			16/12/2014			
Checked						
Description			LTRN064NW			
Drawing No.			DP 23455-A			
Sheet			1/1			
<i>Secret and confidential - All rights reserved - No copy, dissemination or circulation is allowed unless specifically authorized in writing by OPTO ENGINEERING S.r.l. - Any violation shall be legally prosecuted.</i>						

all dimensions are in mm



OPTO ENGINEERING S.r.l. - Mantova Italy - Tel. +39 0376 699111 - www.opto-engineering.com