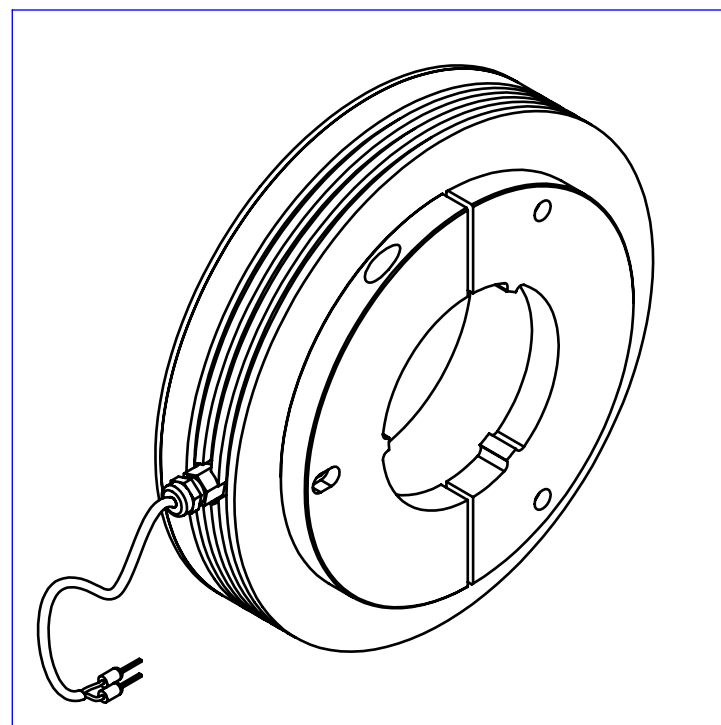
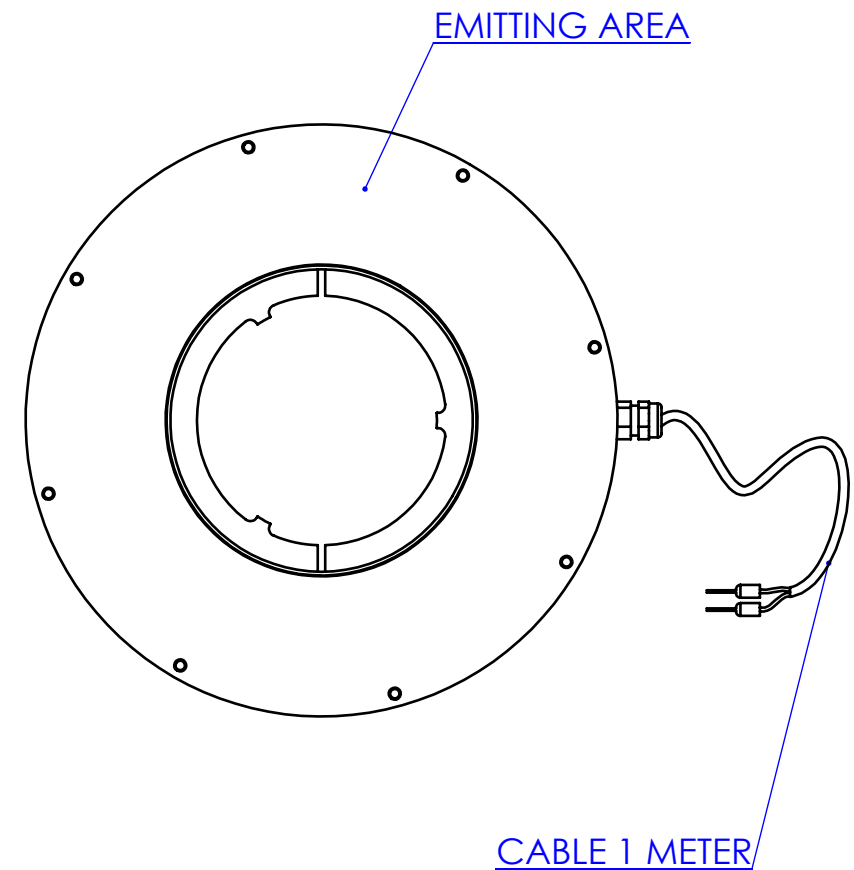
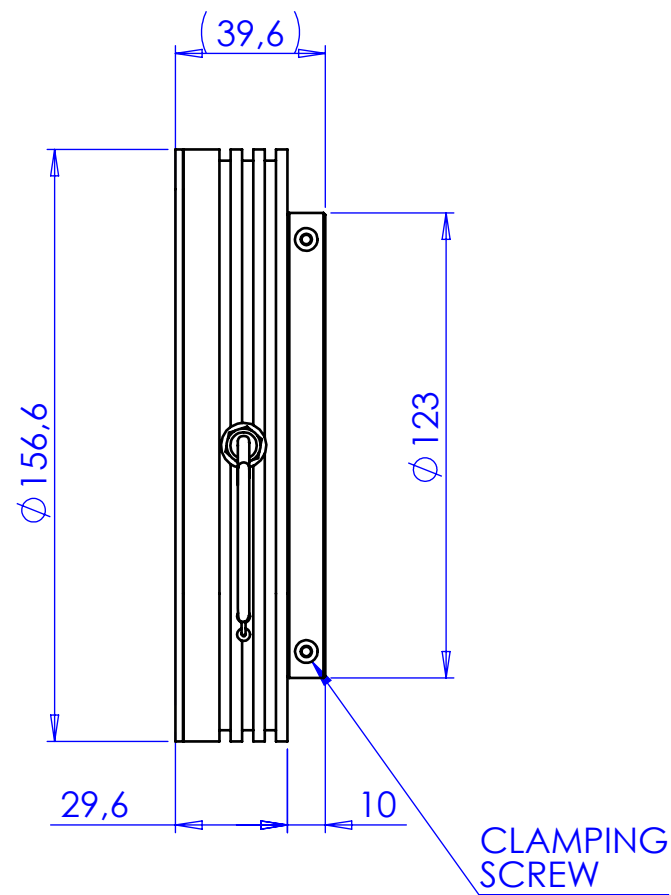
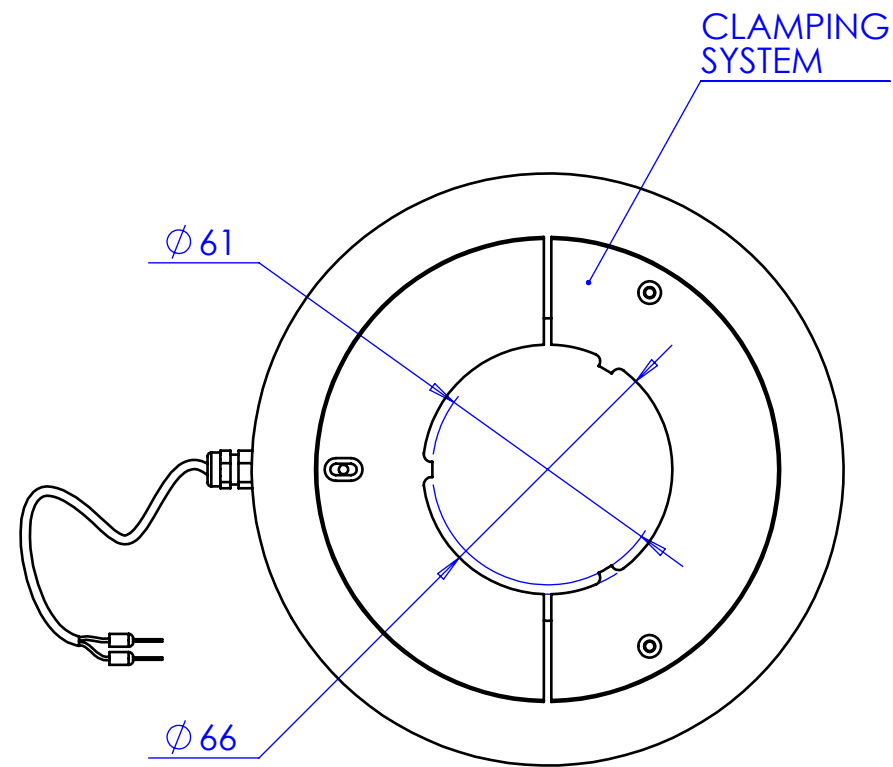



Rev No.	Description	Date	Name



Material	N.A.	Mass	297 g	Scale	1:2
Surface treatment	N.A.	Part No.	CO23443		
Geometrical tolerance (ISO 2768-2)		Class	K	Undimensioned bevels	0,5x45°
Linear tolerance (ISO 2768-2)		Class	m	Undimensioned radii	R 0,5
0,5 ±3	>3± 6	>6± 30	>30± 120	>120 ±400	>400± 1000
±0,1	±0,1	±0,2	±0,3	±0,5	±0,8
±1,2	±2	Date		Name	
		Designed	16/12/2014	Rodella	
OPTO ENGINEERING S.r.l. - Mantova Italy - Tel. +39 0376 699111 - www.opto-engineering.com		Drawn	16/12/2014	Rodella	
all dimensions are in mm		Checked			
		Drawing No.		Sheet	
		DP 23443-A		1/1	
Secret and confidential - All rights reserved - No copy, dissemination or circulation is allowed unless specifically authorized in writing by OPTO ENGINEERING S.r.l. - Any violation shall be legally prosecuted.					