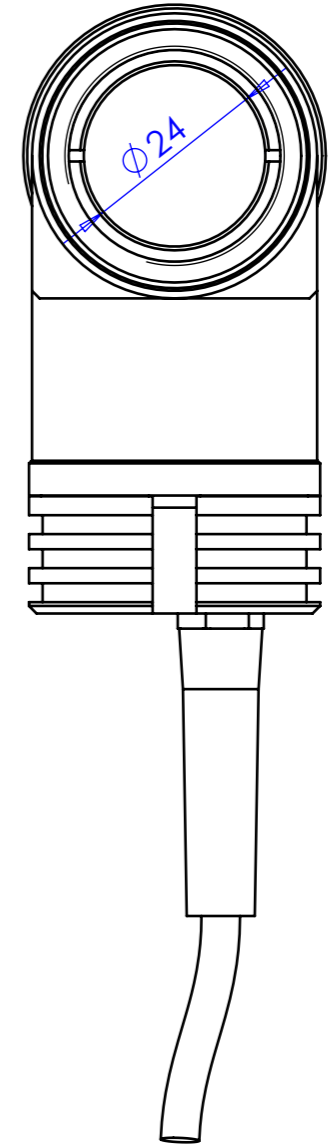
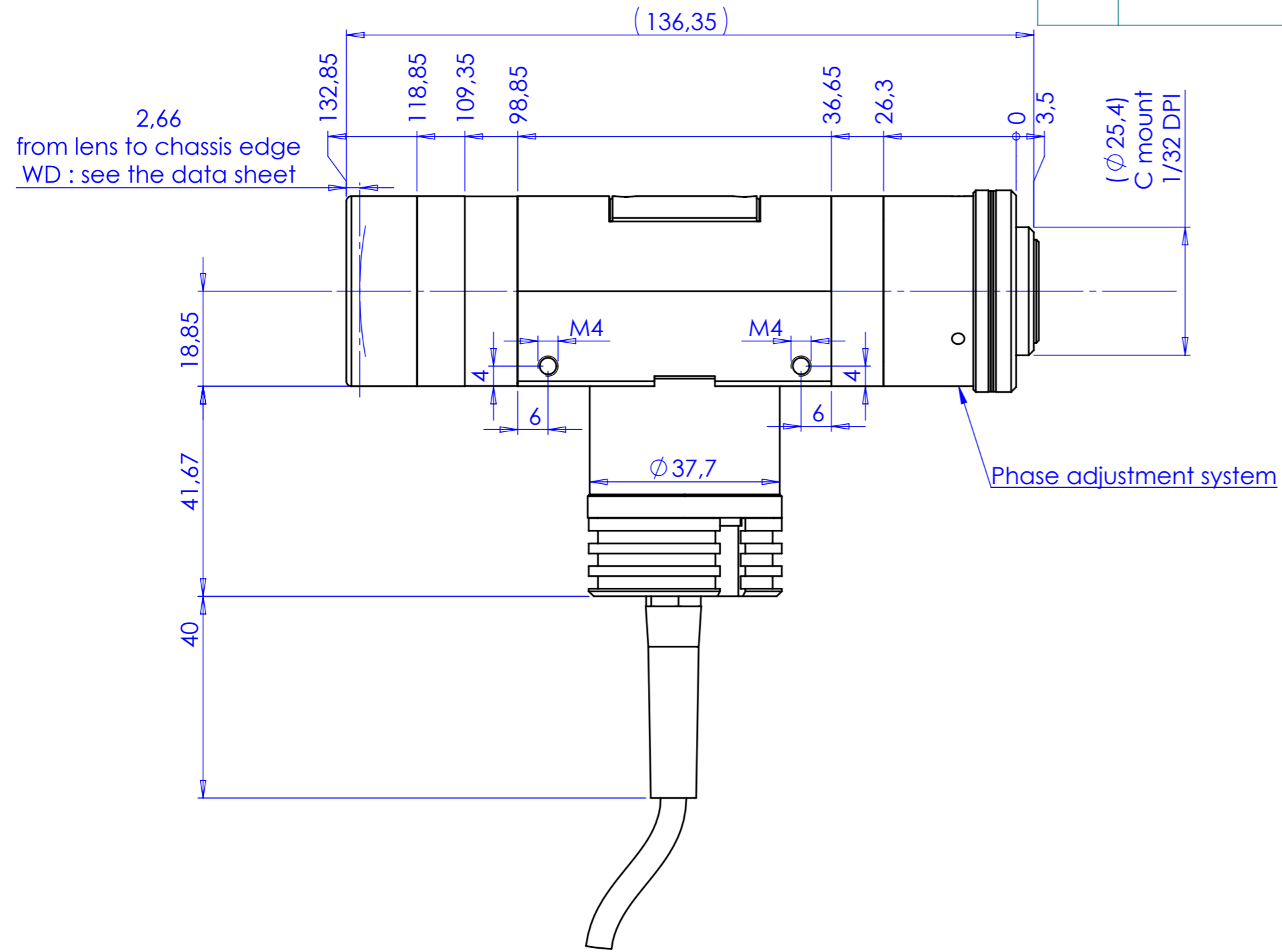


Rev No.	Description	Date	Name



D  
C  
B  
A

D  
C  
B  
A

Material	N.A.	Mass	491 g	Scale	1:1
Surface treatment	N.A.	Part No.	CO23092		
Geometrical tolerance (ISO 2768-2)		Class	K	Undimensioned bevels	0,5x45°
Linear tolerance (ISO 2768-2)		Class	m	Undimensioned radii	R 0.5
0.5 ±3	>3± 6	>6± 30	>30± 120	>120 ±400	>400± 1000
±0.1	±0.1	±0.2	±0.3	±0.5	±0.8
					±1.2
					±2
		Date	Name	Drawing No.	
		Designed	04/04/2014	Santini	DP 23092-A
		Drawn	30/07/2014	Rodella	
		Checked			
		Date		Name	Sheet
					1/1
Secret and confidential - All rights reserved - No copy, dissemination or circulation is allowed unless specifically authorized in writing by OPTO ENGINEERING S.r.l. - Any violation shall be legally prosecuted.					