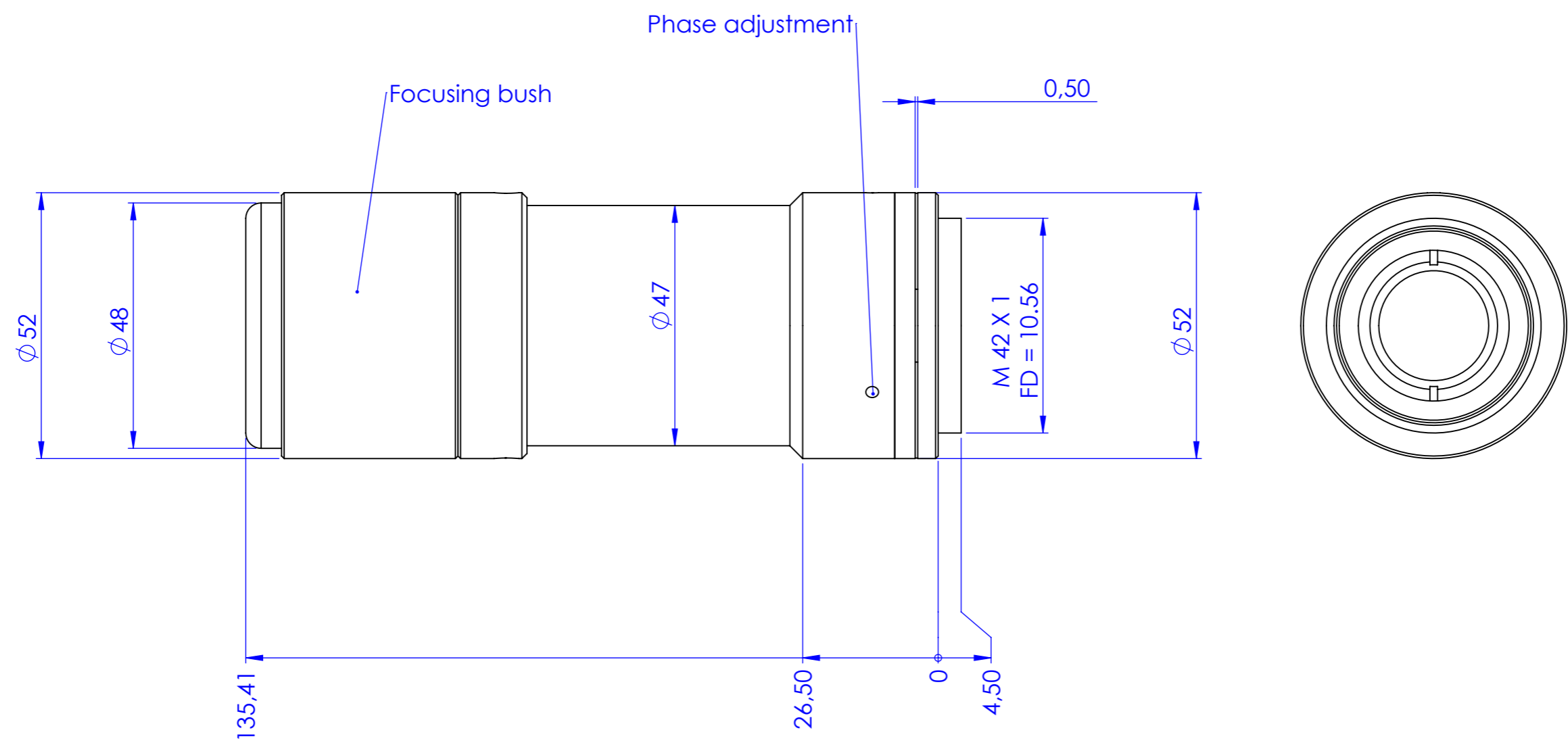


1 2 3 4 5 6 7 8

Rev No.	Description	Date	Name



Material		N.A.		Mass		514.21 g		Scale		1:1			
Surface treatment		N.A.		Part No.		CO23004							
Geometrical tolerance (ISO 2768-2)								Class		K			
Linear tolerance (ISO 2768-2)								Class		m			
0.5 ±3	>3÷ 6	>6÷ 30	>30÷ 120	>120 ±400	>400÷ 1000	>1000 ±2000	>2000 ±4000	Undimensioned bevels	0.5x45°	Description			
±0.1	±0.1	±0.2	±0.3	±0.5	±0.8	±1.2	±2	Undimensioned radii	R 0.5	MC4K 0.50X M42			
 OPTO ENGINEERING <small>THE TELECENTRIC COMPANY</small>				Date		Name		Drawing No.		Sheet			
				Designed		04/06/2014		Bna		DP 23004-A		1/1	
				Drawn		19/06/2014		Bna					
OPTO ENGINEERING S.r.l. - Mantova Italy - Tel. +39 0376 699111 - www.opto-engineering.com				<small>Secret and confidential - All rights reserved - No copy, dissemination or circulation is allowed unless specifically authorized in writing by OPTO ENGINEERING S.r.l. - Any violation shall be legally prosecuted.</small>									

1 2 3 4 5 6 7 8

0 1 2 3 4 5 6 7 8 9 10

D
C
B
A

D
C
B
A

all dimensions are in mm