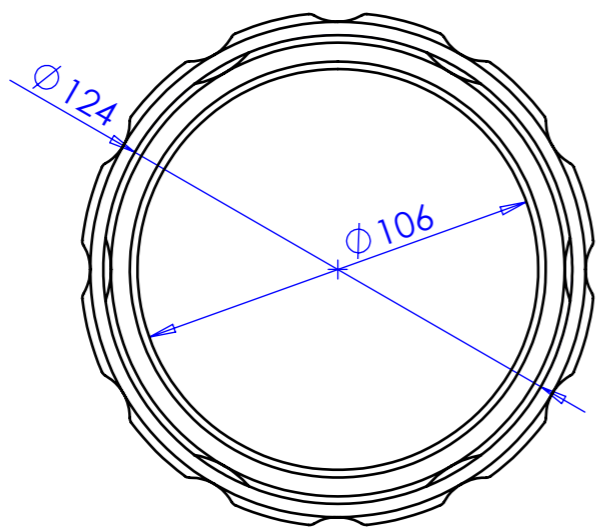
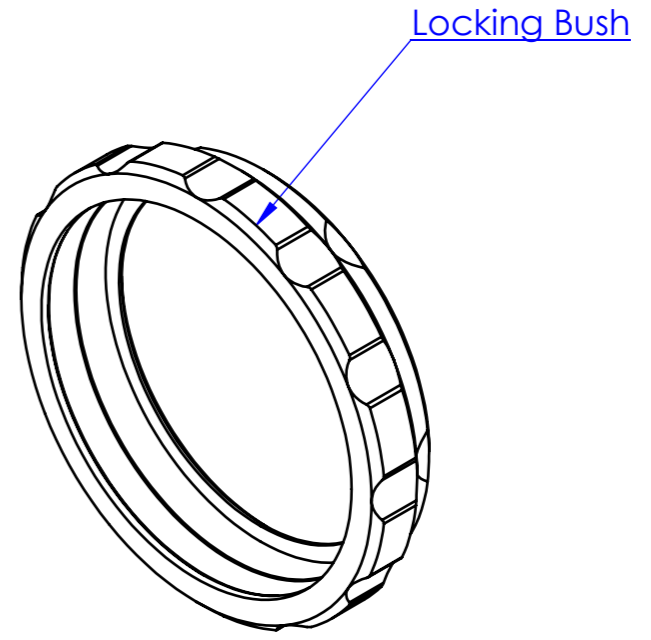
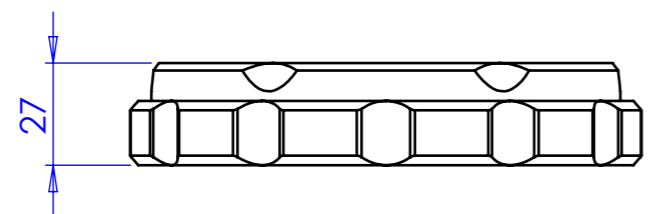
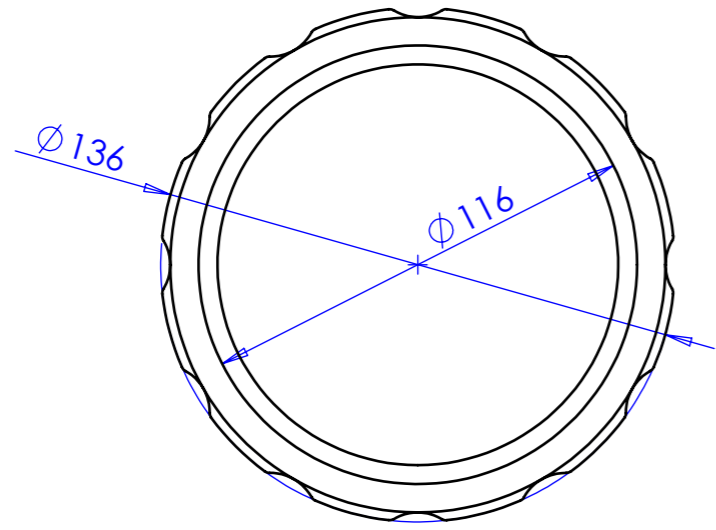


1 2 3 4 5 6 7 8

Rev No.	Description	Date	Name



Material		N.A.		Mass		210 g		Scale		1:2					
Surface treatment		N.A.		Part No.		CO22424									
Geometrical tolerance (ISO 2768-2)								Class		K		Description			
Linear tolerance (ISO 2768-2)								Class		m		Undimensioned bevels			
0.5	>3	>6	>30	>120	>400	>1000	>2000	0.5x45°		CMWF080					
±3	6	30	120	±400	1000	±2000	±4000	R 0.5							
±0.1	±0.1	±0.2	±0.3	±0.5	±0.8	±1.2	±2	Undimensioned radii		Drawing No.					
								Date		Name		Sheet			
								Designed		27/03/2014		Santini		1/1	
								Drawn		09/04/2014		LSantini			
all dimensions are in mm								Checked				Drawing No. DP 22424-A			
OPTO ENGINEERING S.r.l. - Mantova Italy - Tel. +39 0376 699111 - www.opto-engineering.com															
Secret and confidential - All rights reserved - No copy, dissemination or circulation is allowed unless specifically authorized in writing by OPTO ENGINEERING S.r.l. - Any violation shall be legally prosecuted.															

1 2 3 4 5 6 7 8

0 1 2 3 4 5 6 7 8 9 10