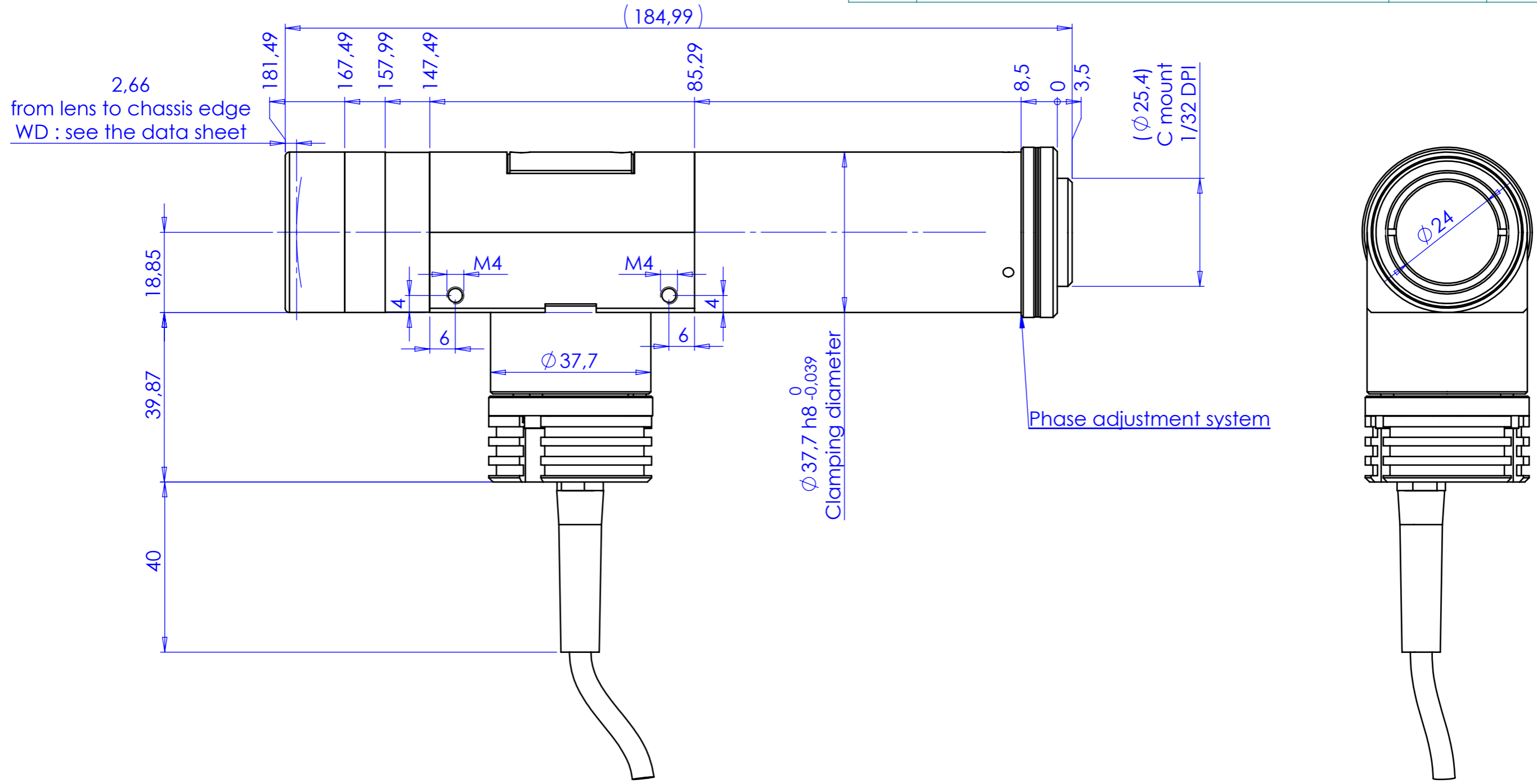


Rev No.	Description	Date	Name



Material	N.A.		Mass	596 g	Scale	1:1	
Surface treatment	N.A.		Part No.	CO22264			
Geometrical tolerance (ISO 2768-2)	Class	K	Undimensioned bevels	0.5x45°			
Linear tolerance (ISO 2768-2)	Class	m	Undimensioned radii	R 0.5			
0.5 ±3	>3± 6	>6± 30	>30± 120	>120 ±400	>400± 1000	>1000 ±2000	
±0.1	±0.1	±0.2	±0.3	±0.5	±0.8	±1.2	
 <b>OPTO ENGINEERING</b> <small>THE TELEOPTIC COMPANY</small>	Date	Name	Drawing No.				
	Designed	20/03/2014	A.Vasconetto	DP 22264-A			Sheet
	Drawn	13/03/2014	A.Vasconetto	1/1			
<b>OPTO ENGINEERING S.r.l. - Mantova Italy - Tel. +39 0376 699111 - www.opto-engineering.com</b>			<small>Secret and confidential - All rights reserved -          No copy, dissemination or circulation is allowed unless          specifically authorized in writing by OPTO ENGINEERING          S.r.l. - Any violation shall be legally prosecuted.</small>				

A B C D

A B C D

1 2 3 4 5 6 7 8

1 2 3 4 5 6 7 8

0 1 2 3 4 5 6 7 8 9 10