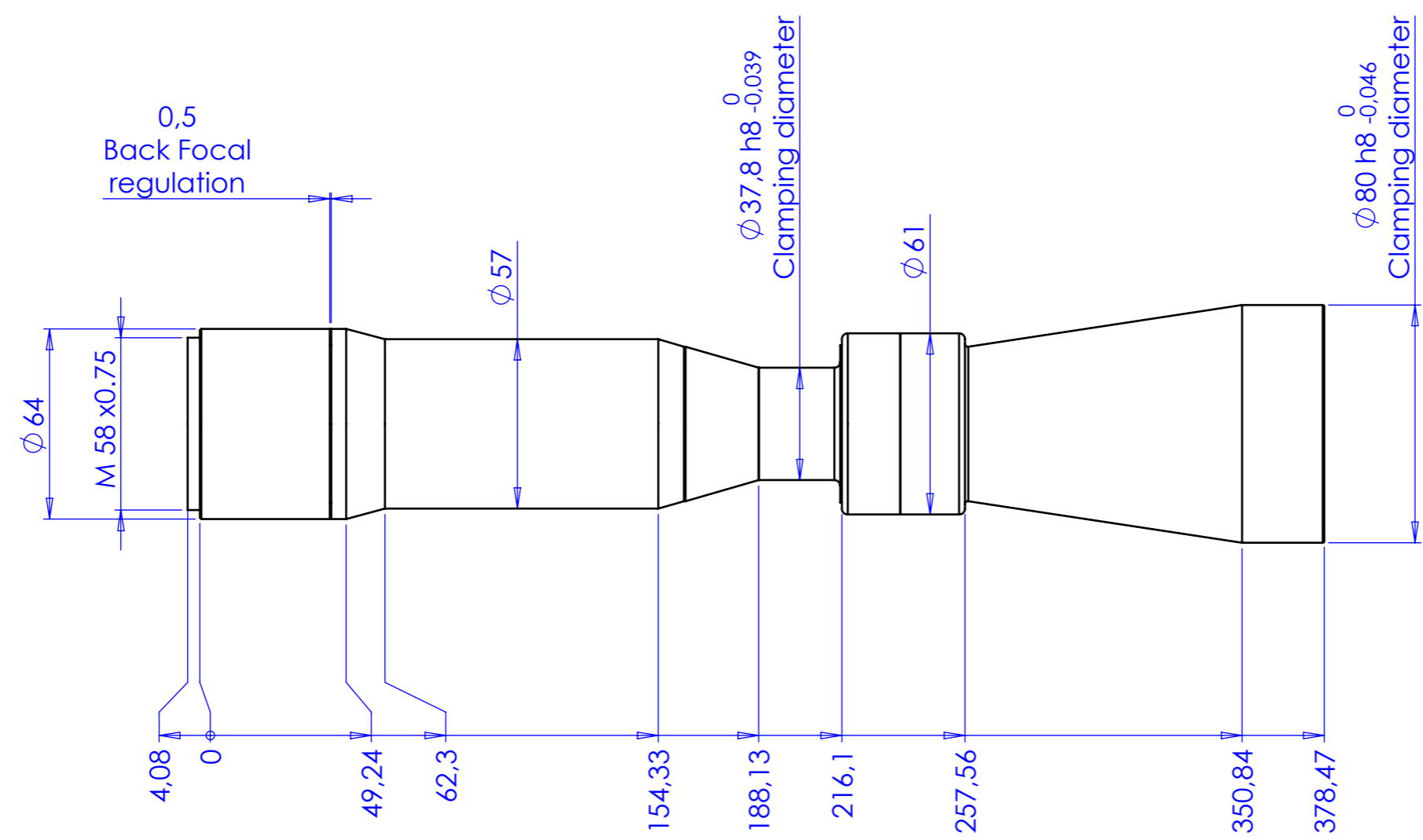


1 2 3 4 5 6 7 8

Rev No.	Description	Date	Name



Material	N.A.		Mass	1263 g	Scale	1:2
Surface treatment	N.A.		Part No.	CO19322		
Geometrical tolerance (ISO 2768-2)	Class	K	Undimensioned bevels	0.5x45°		
Linear tolerance (ISO 2768-2)	Class	m	Undimensioned radii	R 0.5		
0.5 ±3	>3± 6	>6± 30	>30± 120	>120 ±400	>400± 1000	>1000 ±2000
±0.1	±0.1	±0.2	±0.3	±0.5	±0.8	±1.2
 OPTO ENGINEERING THE T. ENGINEERING COMPANY	Date	Name	Drawing No.			
	Designed	13/11/2014	Santini	DP 19322-A		
	Drawn	05/05/2015	Rodella	Sheet		
Checked			1/1			
Secret and confidential - All rights reserved - No copy, dissemination or circulation is allowed unless specifically authorized in writing by OPTO ENGINEERING S.r.l. - Any violation shall be legally prosecuted.						

OPTO ENGINEERING S.r.l. - Mantova Italy - Tel. +39 0376 699111 - www.opto-engineering.com

1 2 3 4 5 6 7 8

0 1 2 3 4 5 6 7 8 9 10