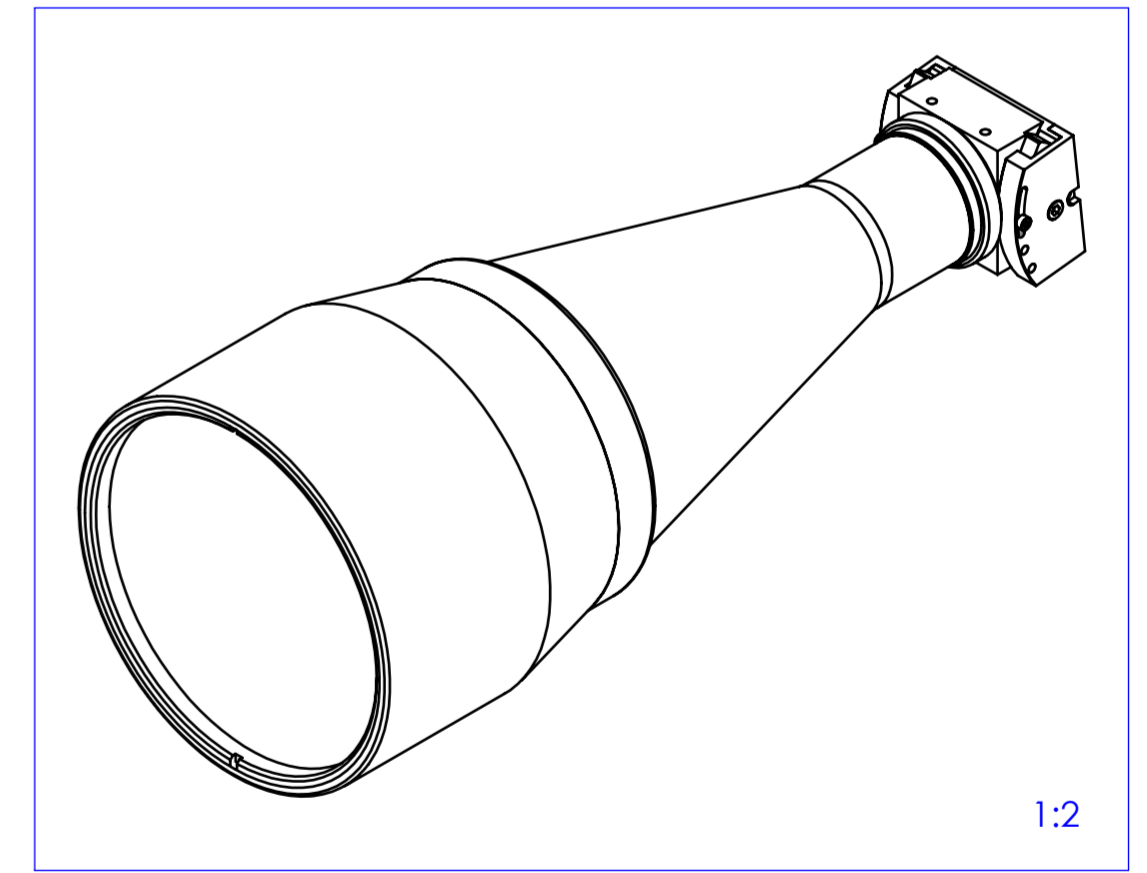
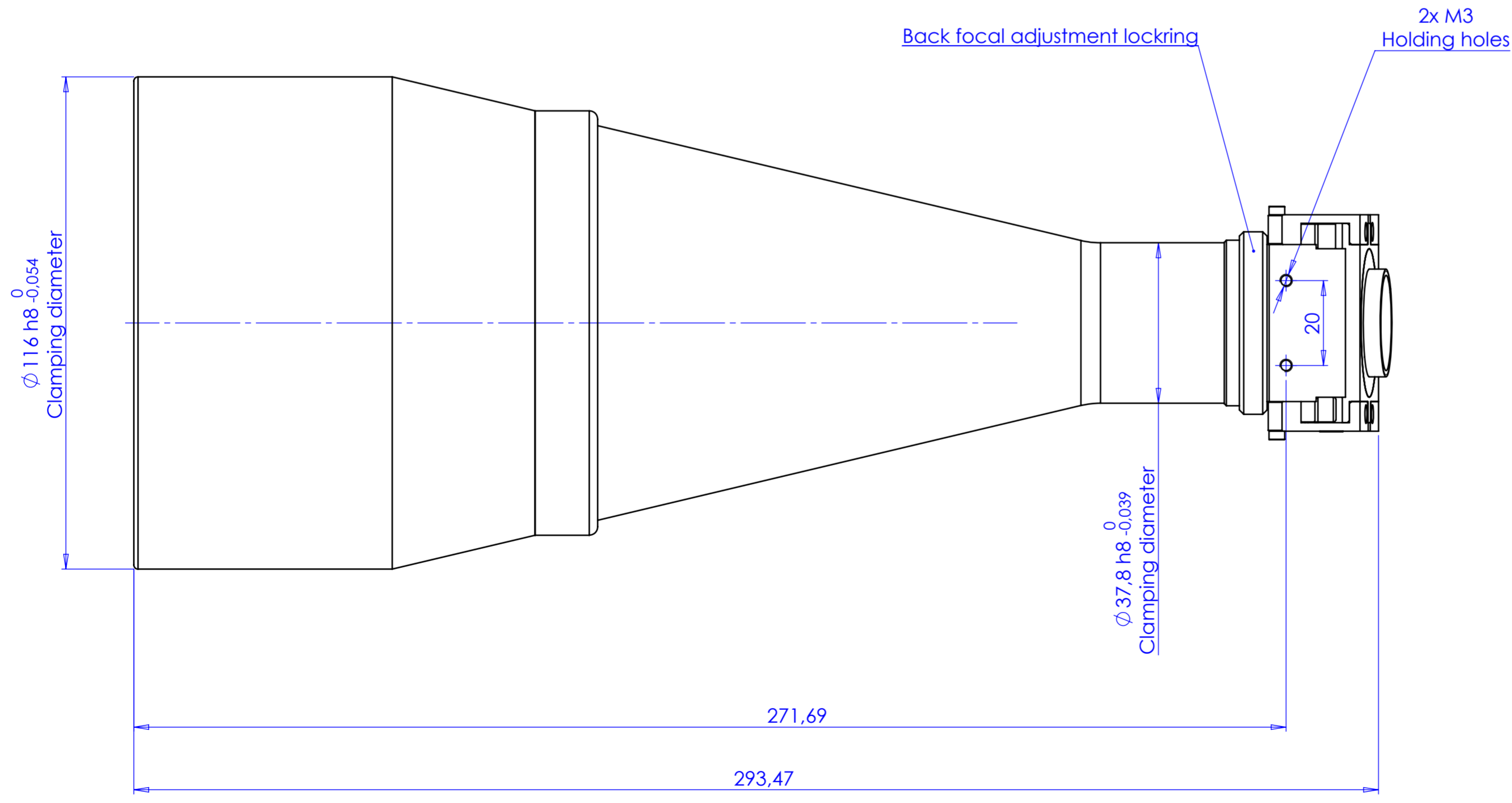
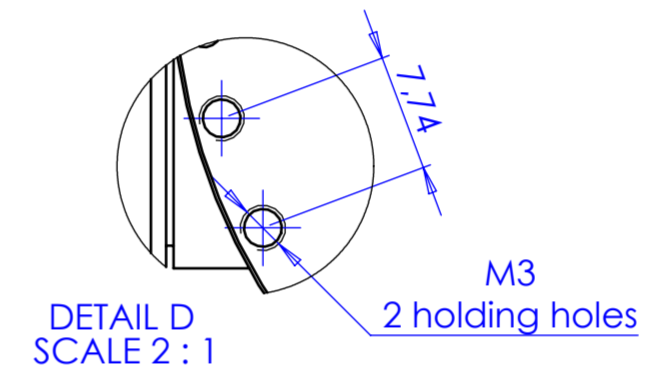
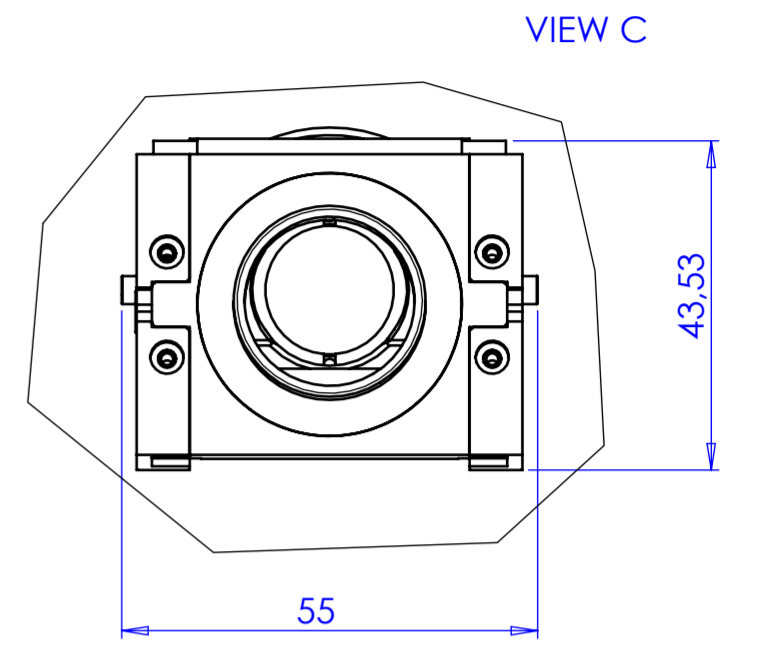
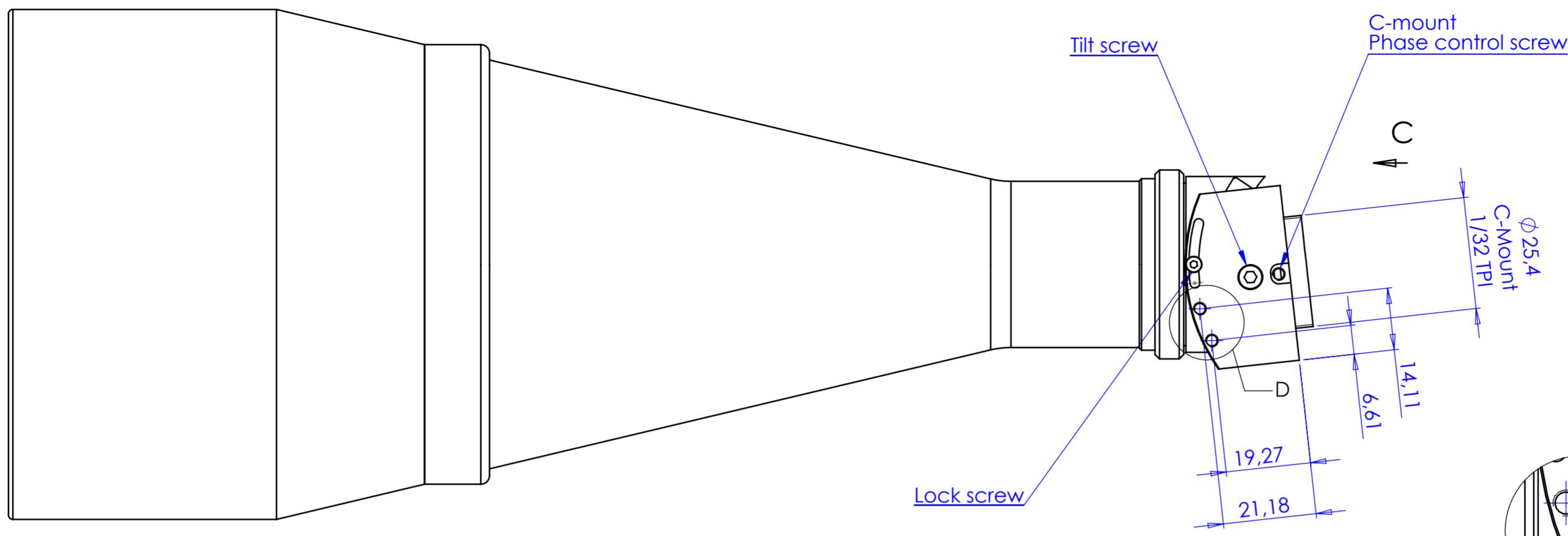


Rev No.	Description	Date	Name



Material	N.A.	Mass	1385.89 g	Scale	1:1					
Surface treatment	N.A.	Part No.	CO50166							
Geometrical tolerance (ISO 2768-2)	Class	K	Undimensioned bevels	0.5x45°	Description TCSCM080					
Linear tolerance (ISO 2768-2)	Class	m	Undimensioned radii	R 0.5						
0.5	>3+	>6+	>30+	>120	>400+	>1000	>2000	>4000	Drawing No. DP 50166-A	Sheet 1/1
+3	6	30	120	+400	1000	+2000	+4000			
+0.1	+0.1	+0.2	+0.3	+0.5	+0.8	+1.2	+2			
		Date	Name		Drawing No.		Sheet			
Designed		14/01/2015	N.Santini		DP 50166-A		1/1			
Drawn		08/10/2015	Rodella							
Checked										
OPTO ENGINEERING S.r.l. - Mantova Italy - Tel. +39 0376 699111 - www.opto-engineering.com										

Secret and confidential - All rights reserved -
 No copy, dissemination or circulation is allowed unless
 specifically authorized in writing by OPTO ENGINEERING
 S.r.l. - Any violation shall be legally prosecuted.