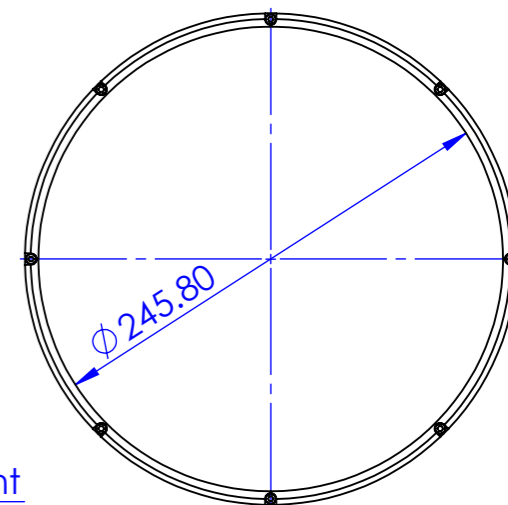
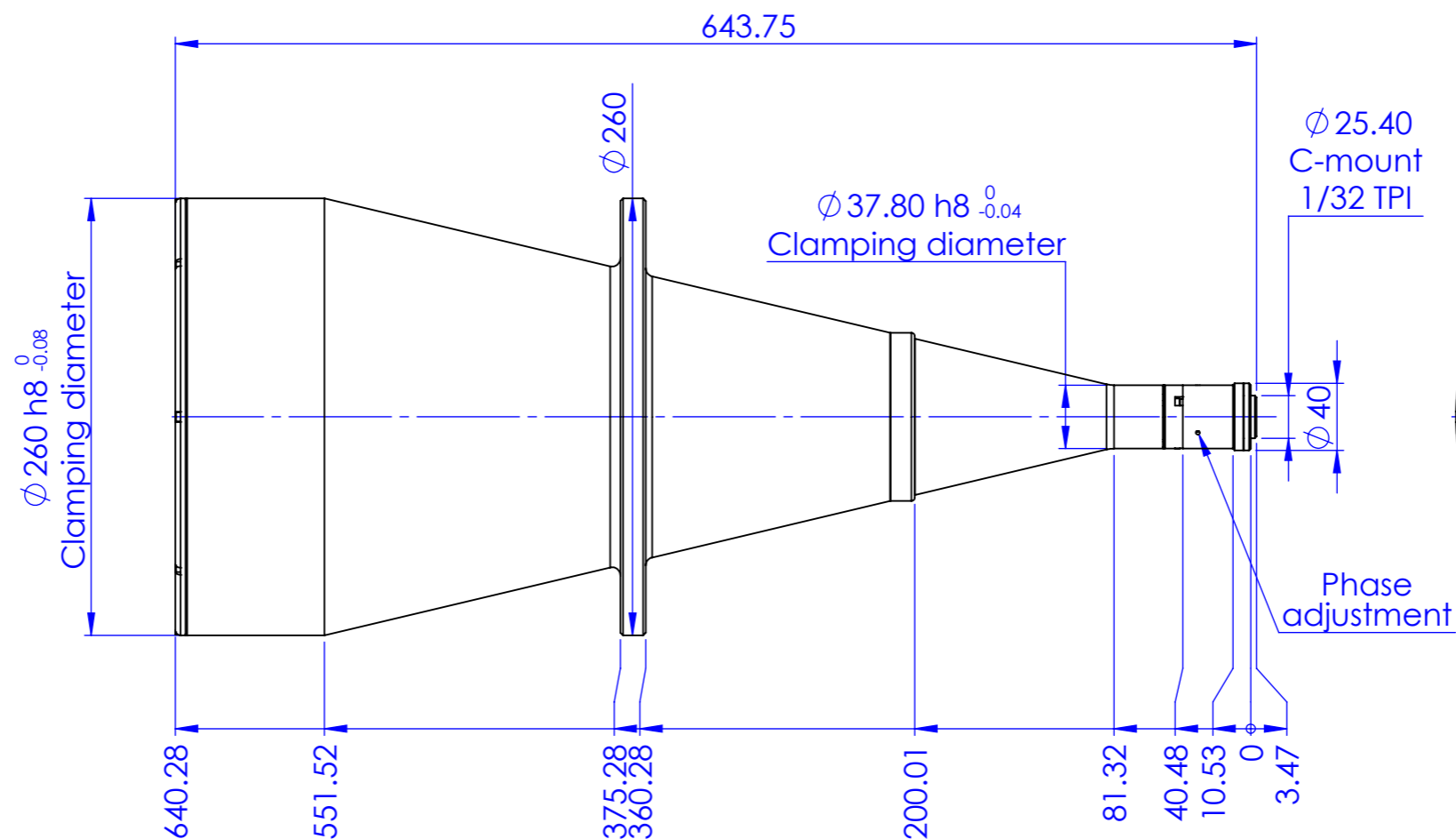
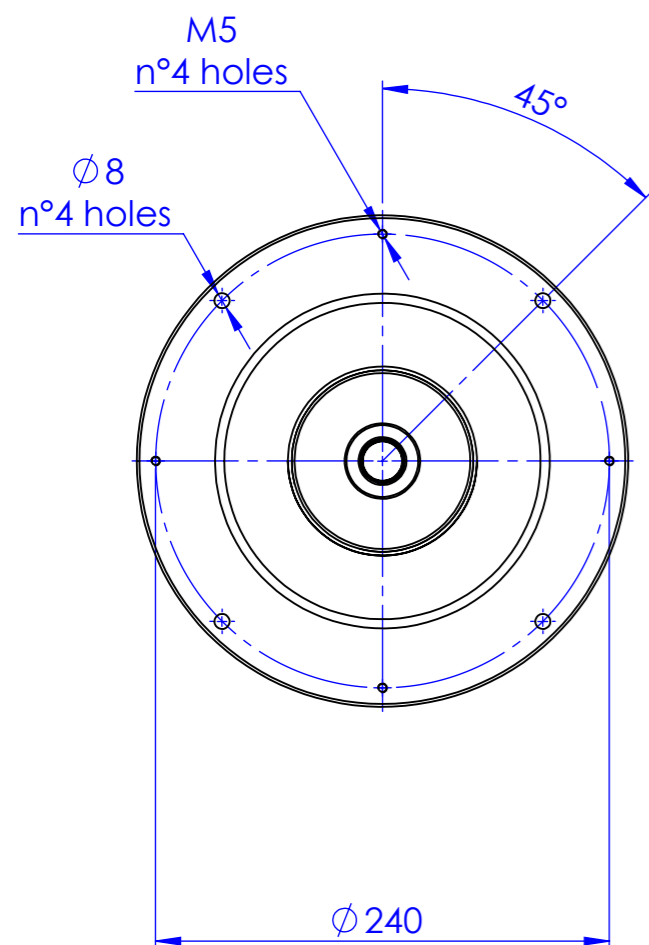


Rev No.	Description	Date	Name
B	Aggiornata lunghezza obiettivo	02/07/2019	Ccharly



Material	N.A.	Mass	9890 g	Scale	1:5
Surface treatment	N.A.	Part No.	CO26402		
Geometrical tolerance (ISO 2768-2)	Class	K	Undimensioned bevels	0.5x45°	Description TC3MHR192
Linear tolerance (ISO 2768-2)	Class	m	Undimensioned radii	R 0.5	
0.5 ±3	>3± 6	>6± 30	>30± 120	>120 ±400	>400± 1000
±0.1	±0.1	±0.2	±0.3	±0.5	±0.8
				±1.2	±2
 OPTO ENGINEERING S.r.l. - Mantova Italy - Tel. +39 0376 699111 - www.opto-engineering.com	Designed	Date	Name	Drawing No.	Sheet
	Drawn	05/07/2018	newbie1	DP 26402-B	1/1
	Checked				
<i>Secret and confidential - All rights reserved - No copy, dissemination or circulation is allowed unless specifically authorized in writing by OPTO ENGINEERING S.r.l. - Any violation shall be legally prosecuted.</i>					

all dimensions are in mm