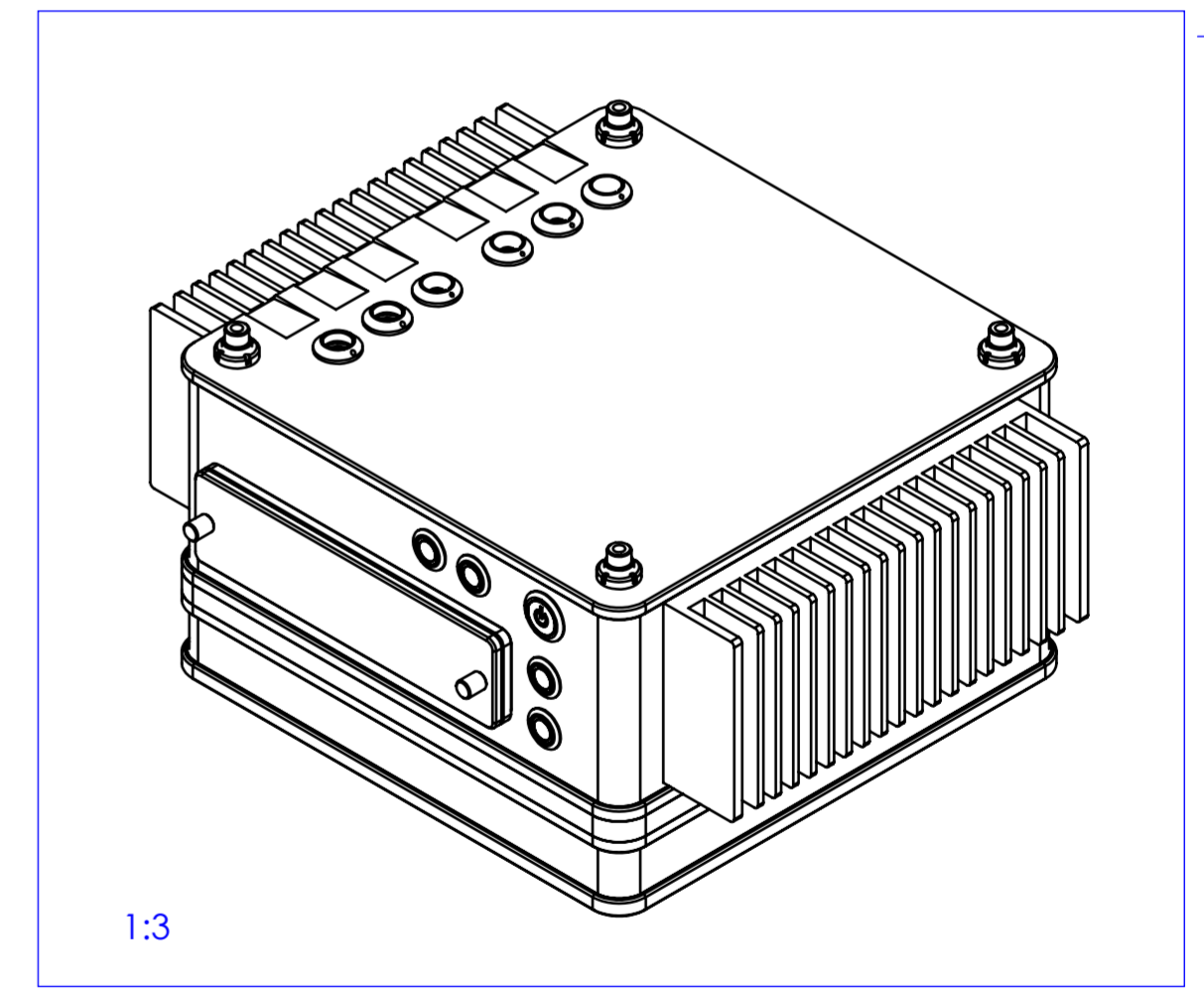
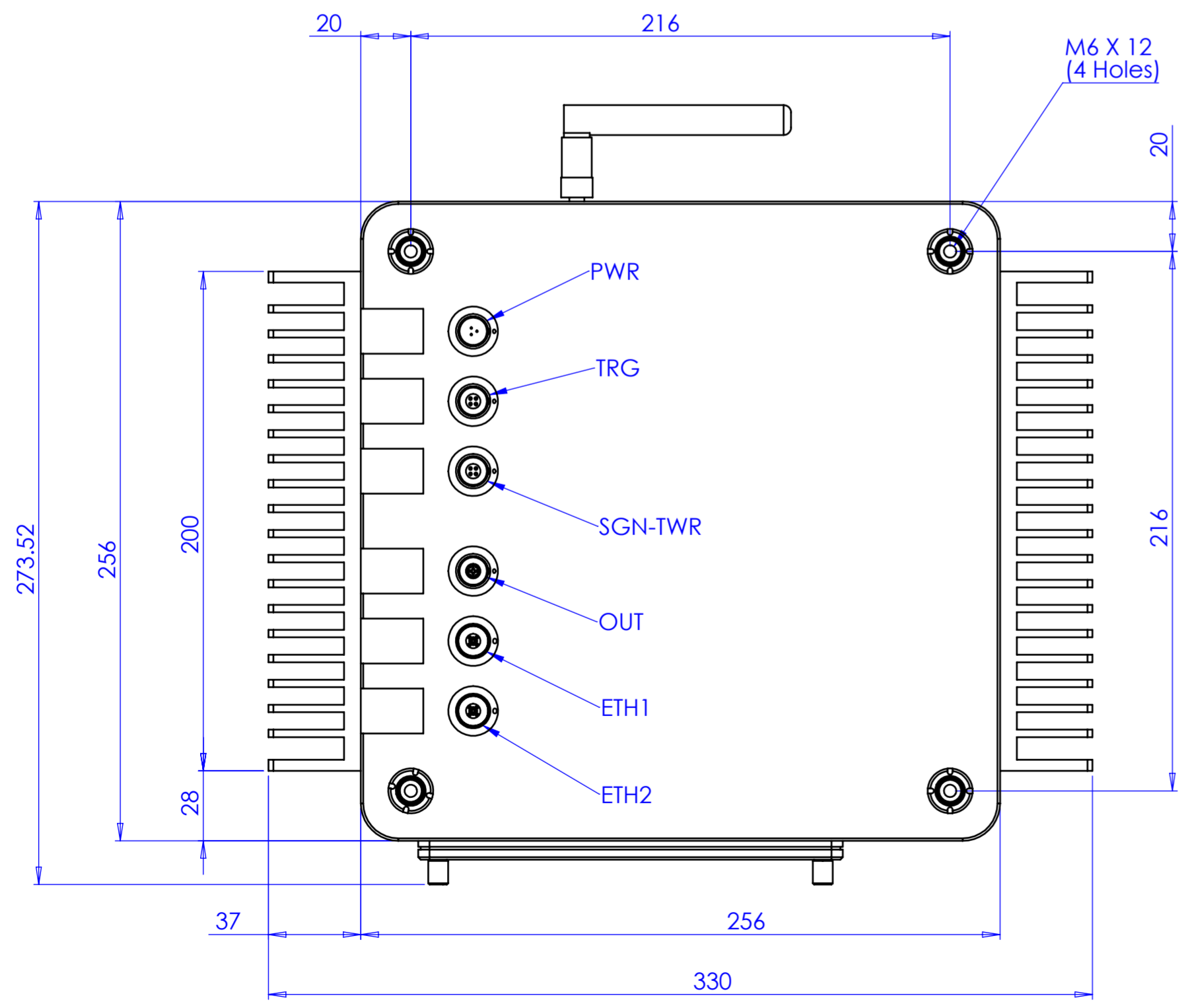
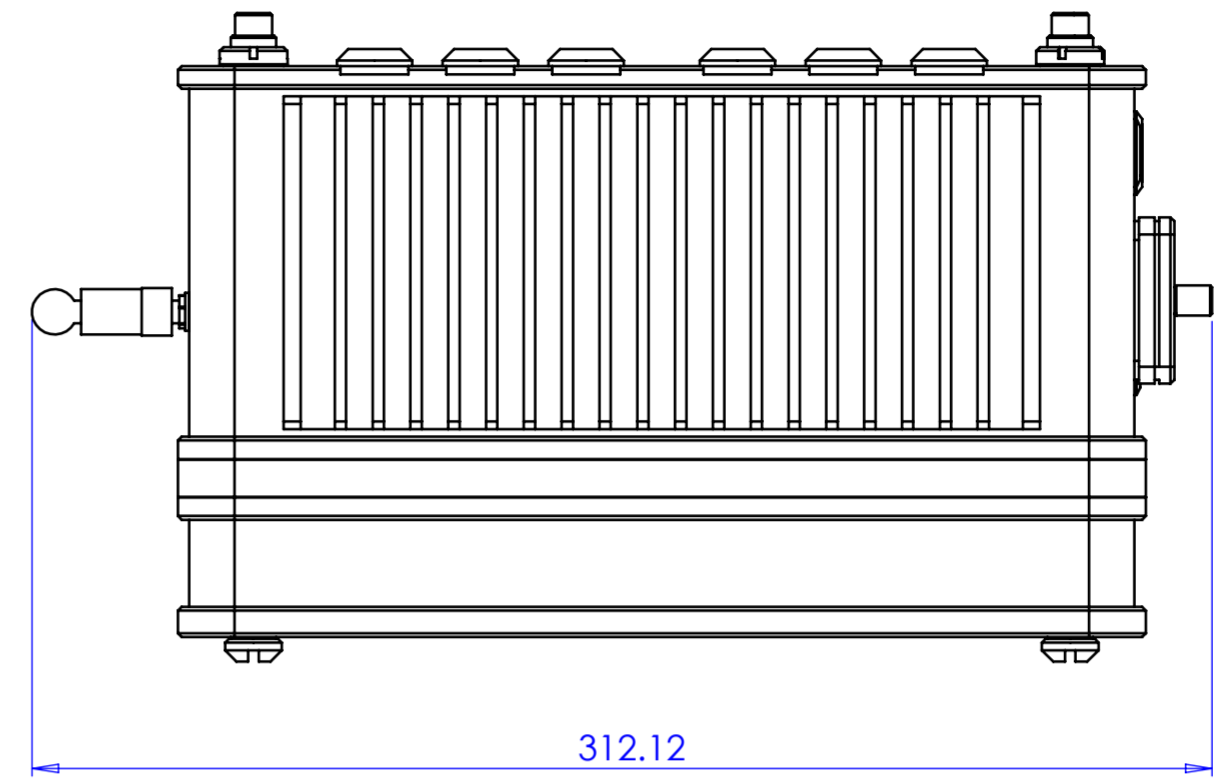
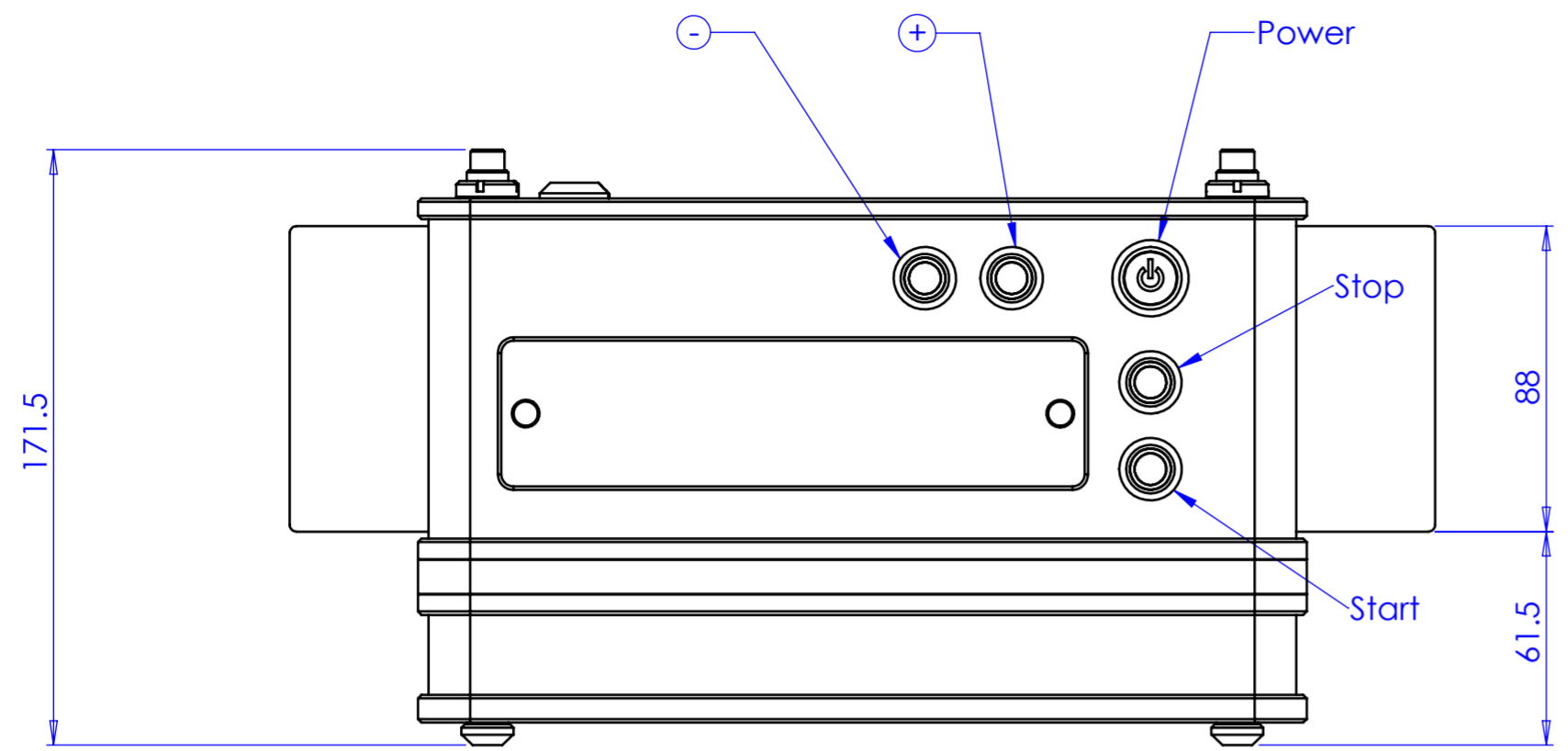


Rev No.	Description	Date	Name

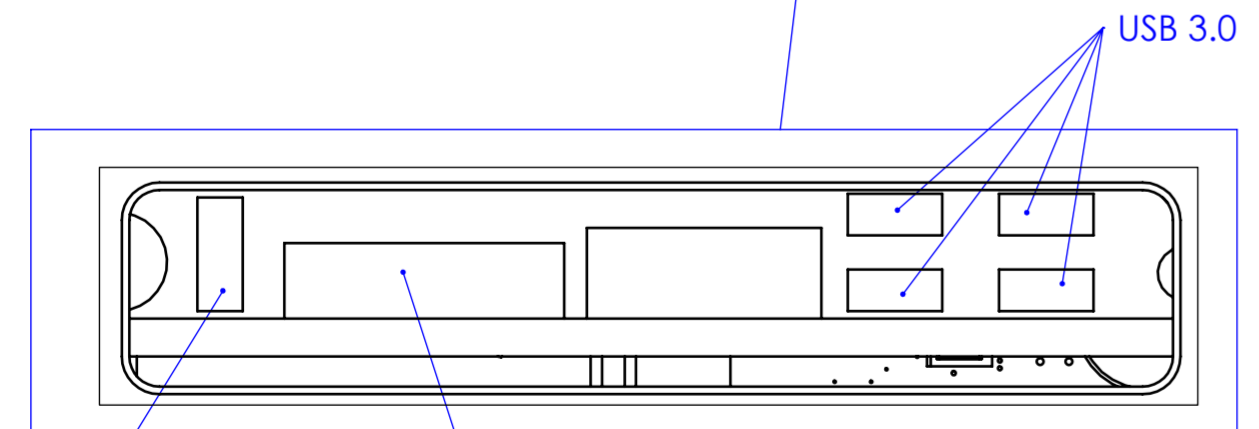
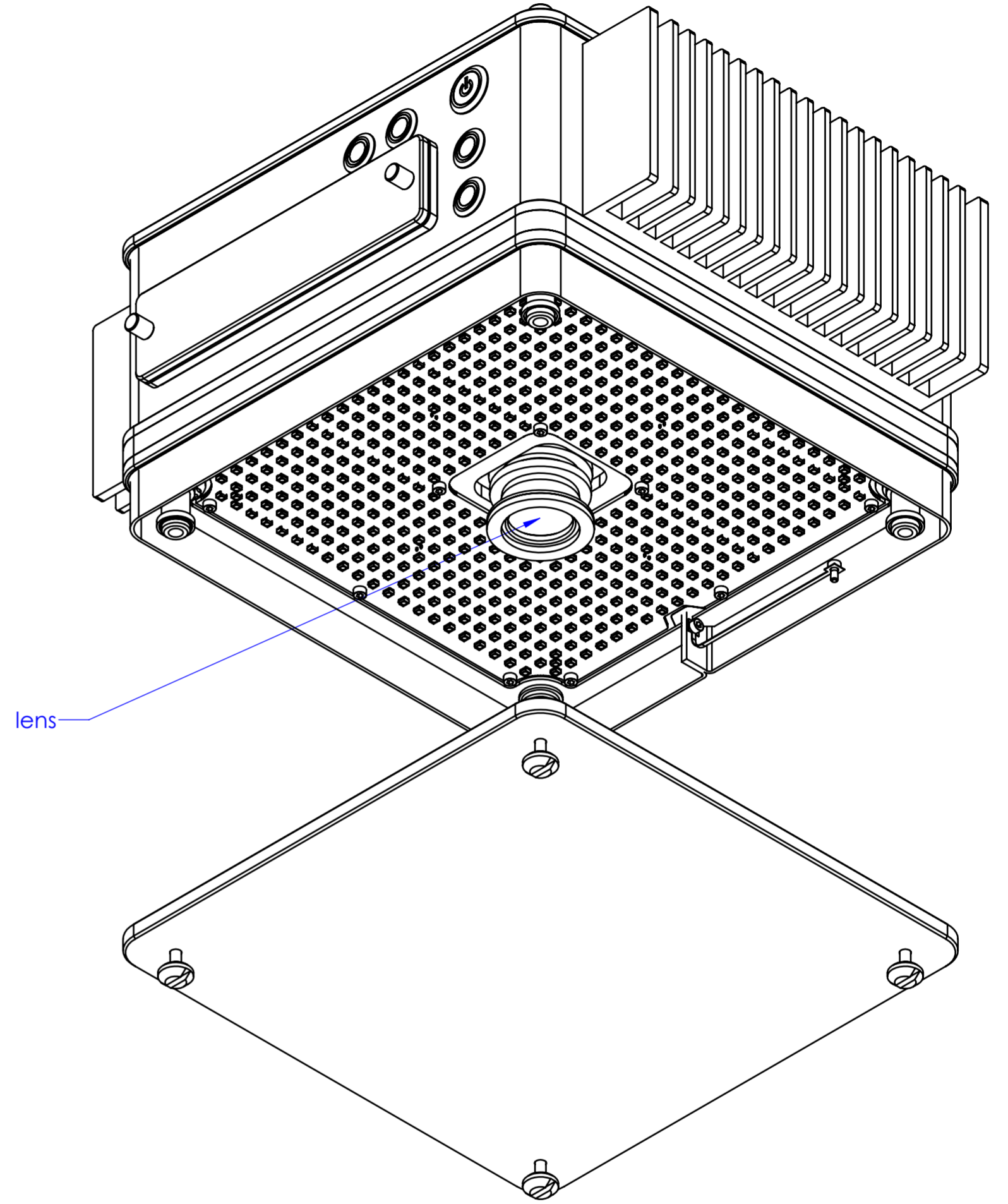
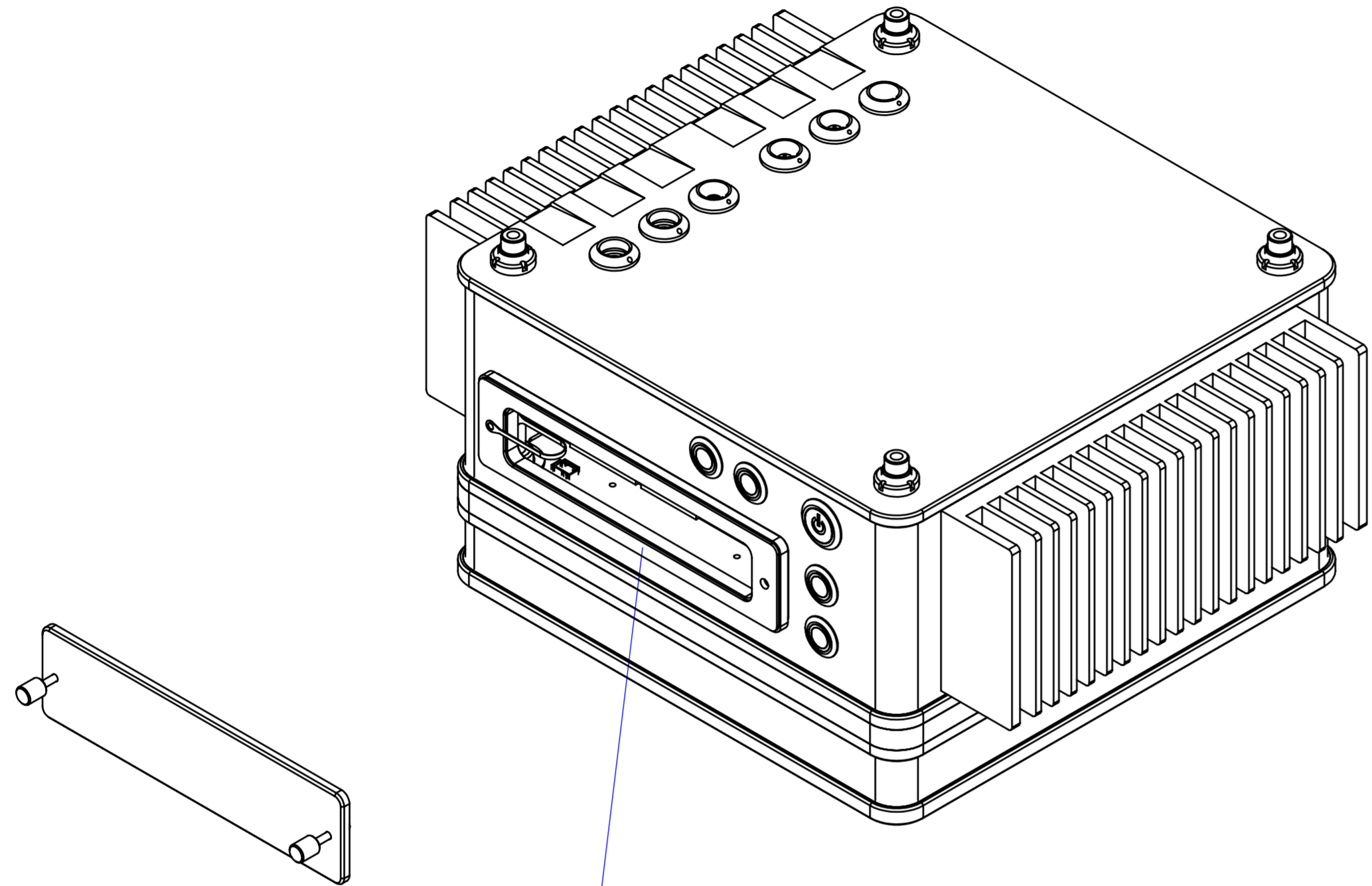


Material	N.A.	Mass	9093 g	Scale	1:2
Surface treatment		Part No.	CO24793		
Geometrical tolerance (ISO 2768-2)		Class	K	Undimensioned bevels	0.5x45°
Linear tolerance (ISO 2768-2)		Class	m	Undimensioned radii	R 0.5
0.5	>3+	>6+	>30+	>120	>400+
+3	6	30	120	+400	+1000
+0.1	+0.1	+0.2	+0.3	+0.5	+0.8
				+1.2	+2
Description		ALBERT-01			
Drawing No.		DP 24793-A			
Date		Name			
Designed		LSantini			
Drawn		15/05/2017 Rodella			
Checked					
OPTO ENGINEERING S.r.l. - Mantova Italy - Tel. +39 0376 699111 - www.opto-engineering.com		Secret and confidential - All rights reserved - No copy, dissemination or circulation is allowed unless specifically authorized in writing by OPTO ENGINEERING S.r.l. - Any violation shall be legally prosecuted.			

all dimensions are in mm

Sheet 1/2

Rev No.	Description	Date	Name



Material		N.A.		Mass		9093 g		Scale		1:5	
Surface treatment				Part No.		CO24793		Description		ALBERT-01	
Geometrical tolerance (ISO 2768-2)		Class		K		Undimensioned bevels		0.5x45°		Description	
Linear tolerance (ISO 2768-2)		Class		K		Undimensioned radii		R 0.5		Drawing No.	
0.5	>3+	>6+	>30+	>120	>400+	>1000	>2000	Date		Name	
+3	6	30	120	+400	1000	+2000	+4000	Designed		LSantini	
±0.1	±0.1	±0.2	±0.3	±0.5	±0.8	±1.2	±2	Drawn		15/05/2017 Rodella	
all dimensions are in mm		OPTO ENGINEERING S.r.l.		Date		Name		Drawing No.		Sheet	
		OPTO ENGINEERING S.r.l. - Mantova Italy - Tel. +39 0376 699111 - www.opto-engineering.com		Checked				DP 24793-A		2/2	
<small>Secret and confidential - All rights reserved - No copy, dissemination or circulation is allowed unless specifically authorized in writing by OPTO ENGINEERING S.r.l. - Any violation shall be legally prosecuted.</small>											