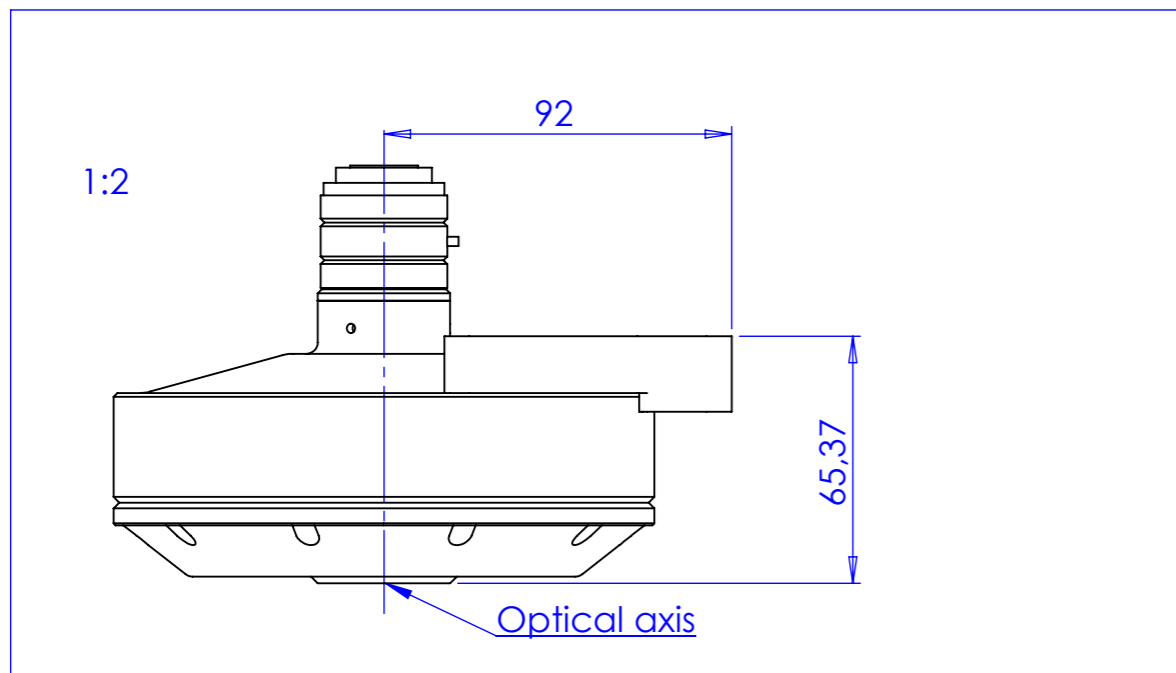
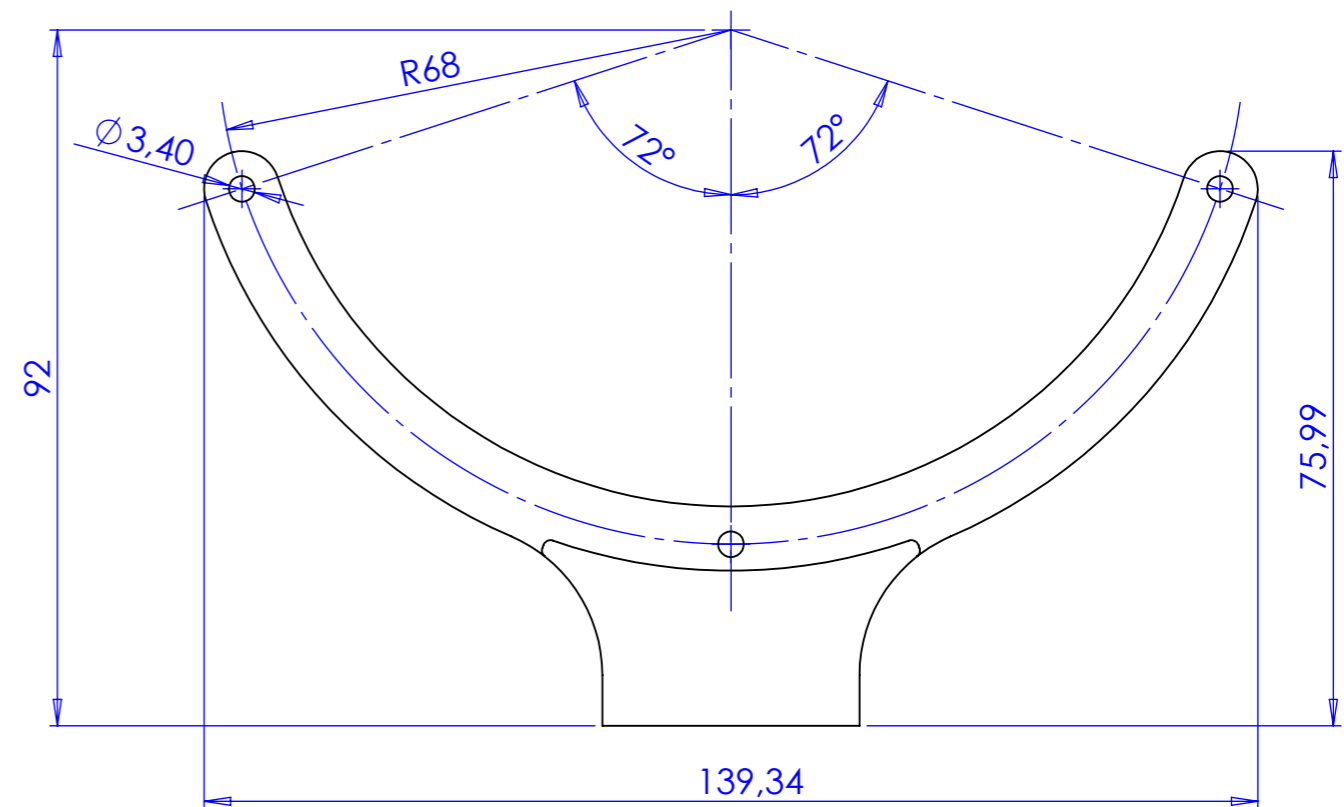
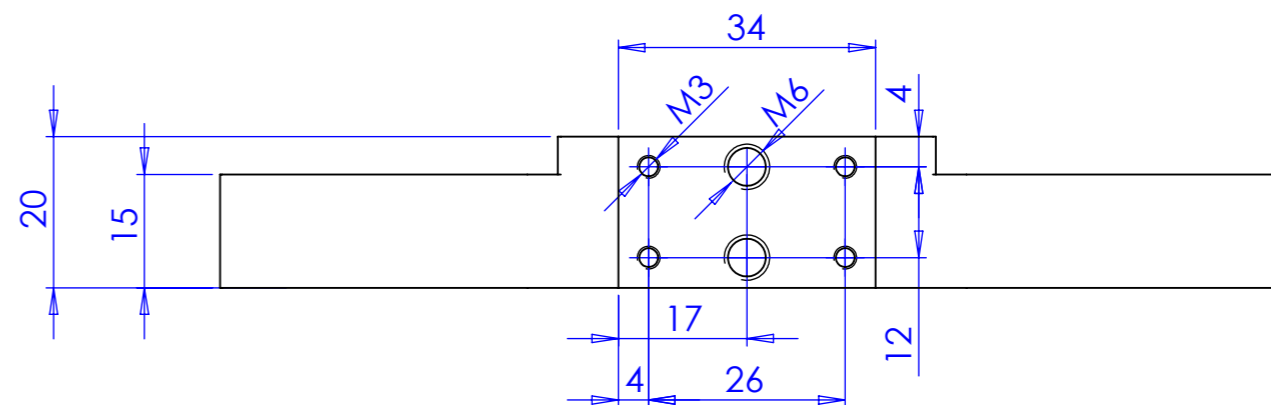
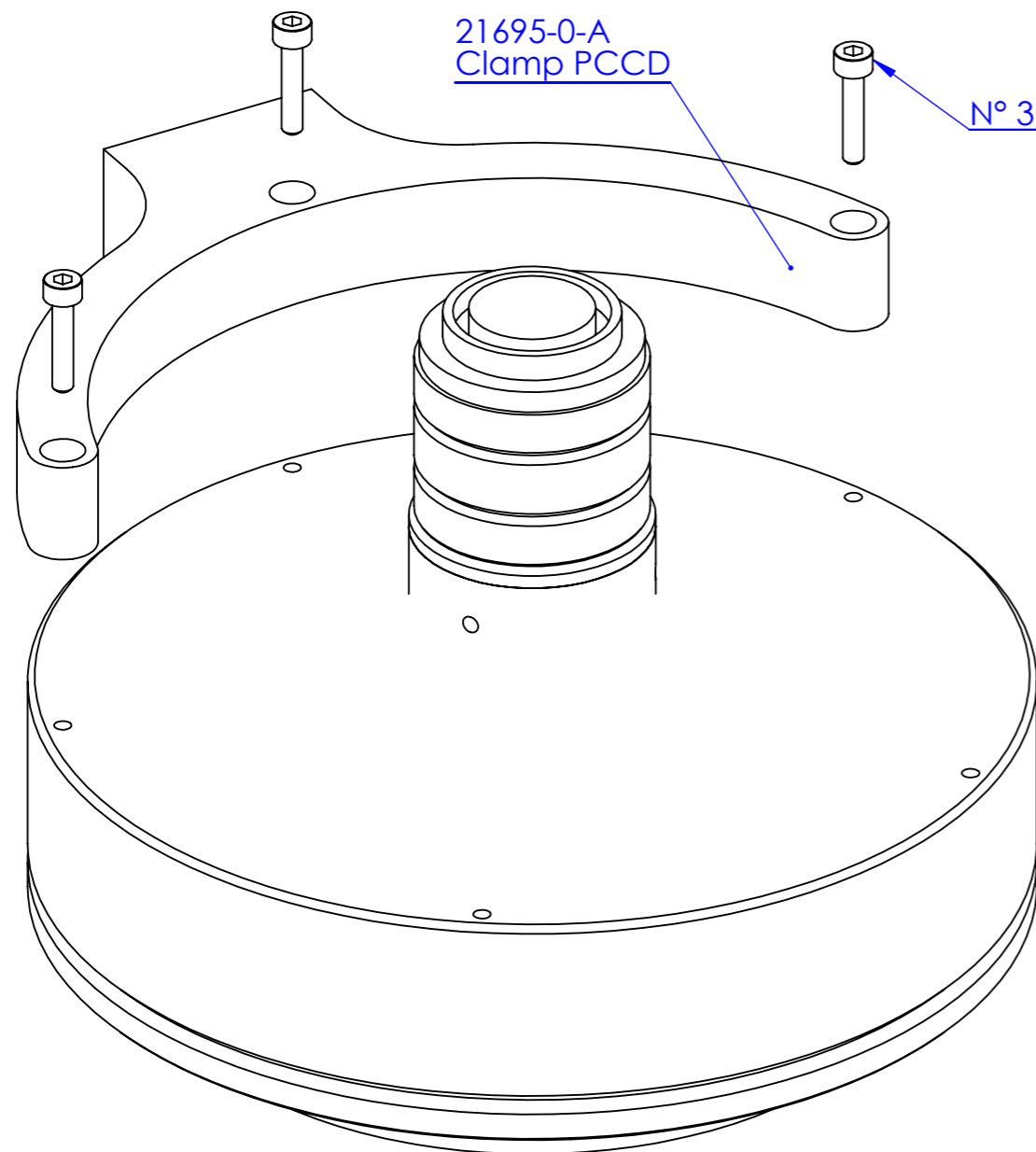



Rev No.	Description	Date	Name
A	New Part	19/07/2013	A.Vasconetto



Material	N.A.	Mass	1396.50 g	Scale	1:1
Surface treatment	N.A.	Project-Prod.item/Instrument CMHOPCCD			
Geometrical tolerance (ISO 2768-2)		Class	K	Description	
Linear tolerance (ISO 2768-2)		Class	m	Undimensioned bevels	0.5x45°
0.5 ±3	>3± 6	>6± 30	>30± 120	Undimensioned radii	R 0.5
±0.1	±0.1	±0.2	±0.3	Layout	
		>120 ±400	>400± 1000	Drawing No.	
		>1000 ±2000	>2000 ±4000	21696-0-A	
		±1.2	±2	Sheet	
				1/1	
		Date	Name	Reproduction forbidden without specific authorization	
		03/07/2013	A.Vasconetto		
		19/07/2013	A.Vasconetto		
		X	C. Sedazzari		
OPTO ENGINEERING S.R.L. - 46100 Mantova Italy - Via Cremona, 29/2 - Tel. +39 0376 263525 - e-mai: info@opto-engineering.com - http://www.opto-engineering.com					