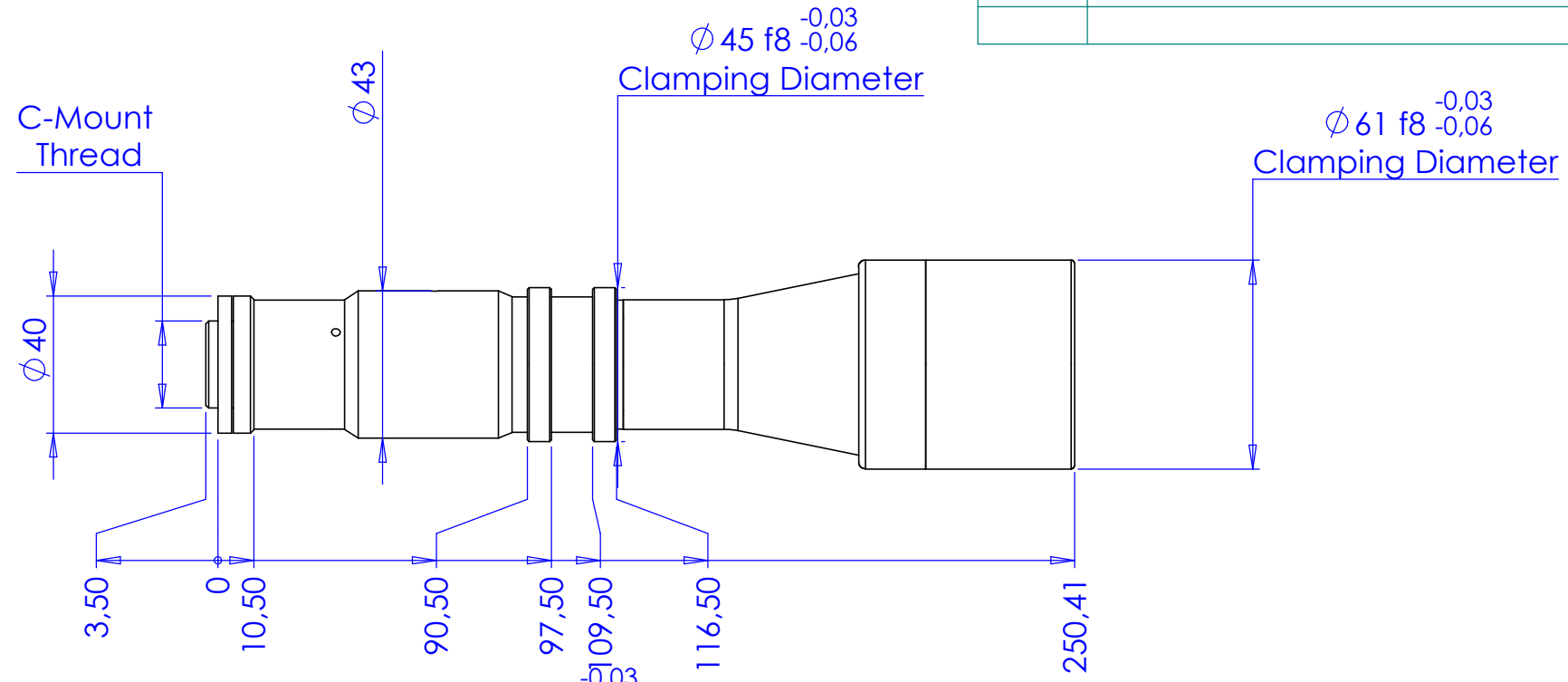
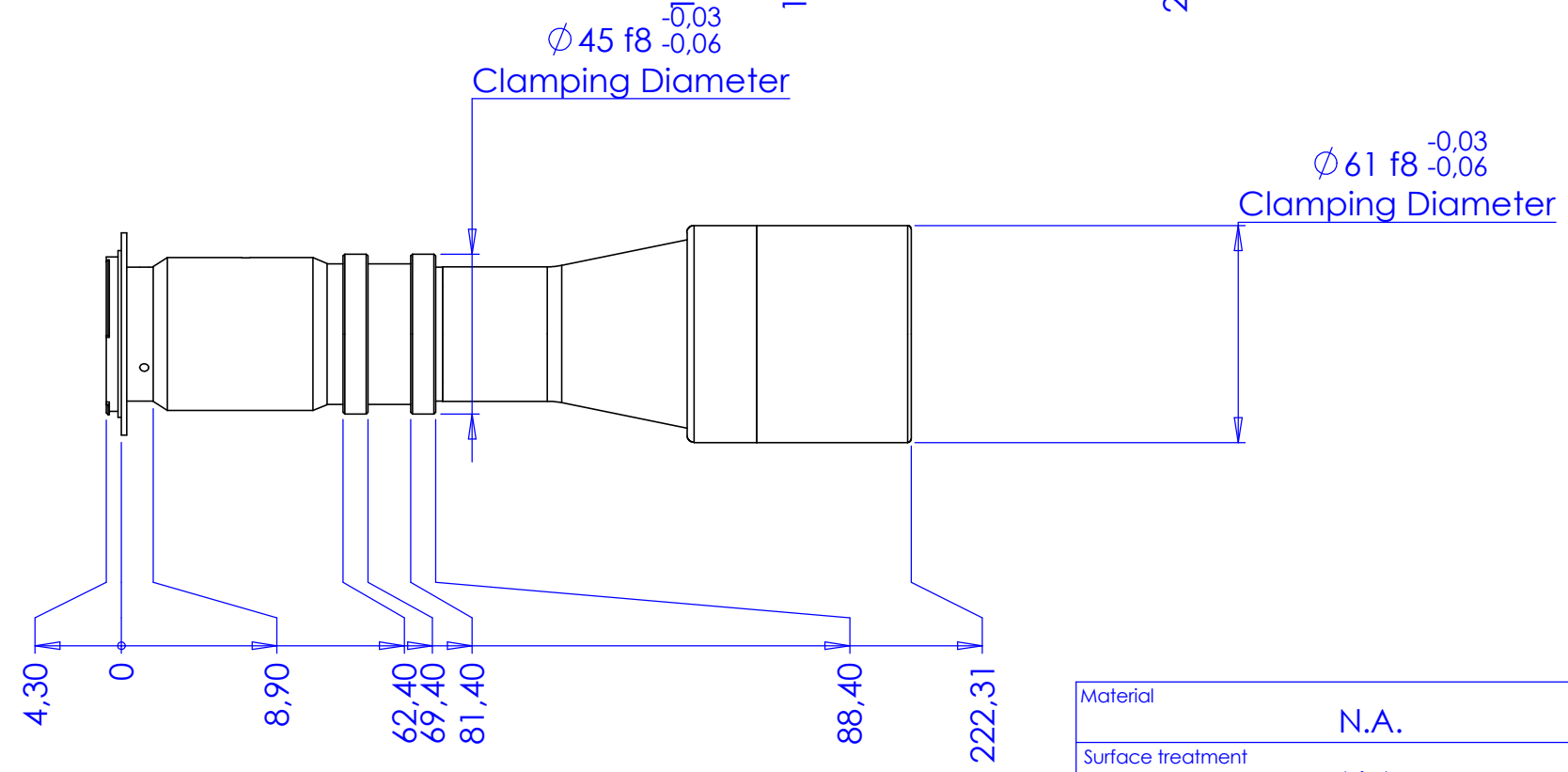


Rev No.	Description	Date	Name
A	New Part	05/05/2003	A.Vismara



TC 2M 36/C
C-Mount



TC 2M 36/F
F-Mount

Material	N.A.		Mass	489 g	Scale	1:2	
Surface treatment	N.A.		Project-Prod.item/Instrument TC 2M 36				
Geometrical tolerance (ISO 2768-2)			Class	K	Description		
Linear tolerance (ISO 2768-2)			Class	m	Undimensioned bevels	0.5x45°	
0.5	>3	>6	>30	>120	>400	>1000	
±3	6	30	120	±400	1000	±2000	
±0.1	±0.1	±0.2	±0.3	±0.5	±0.8	±1.2	
					Undimensioned radii	R 0.5	
		Date	Name	Drawing No.			
		Designed	17/07/2006	A.Vismara	21584-0-A		Sheet
		Draw	17/07/2006	A.Vismara			1/1
		Checked	X	C. Sedazzari	Reproduction forbidden without specific authorization		
OPTO ENGINEERING S.r.l. - 46100 Mantova Italy - Via Cremona, 29/2 - Tel. +39 0376 263525 - e-mai: info@opto-engineering.com - http://www.opto-engineering.com							

1 2 3 4 5 6 7 8

1 2 3 4 5 6 7 8

0 1 2 3 4 5 6 7 8 9 10