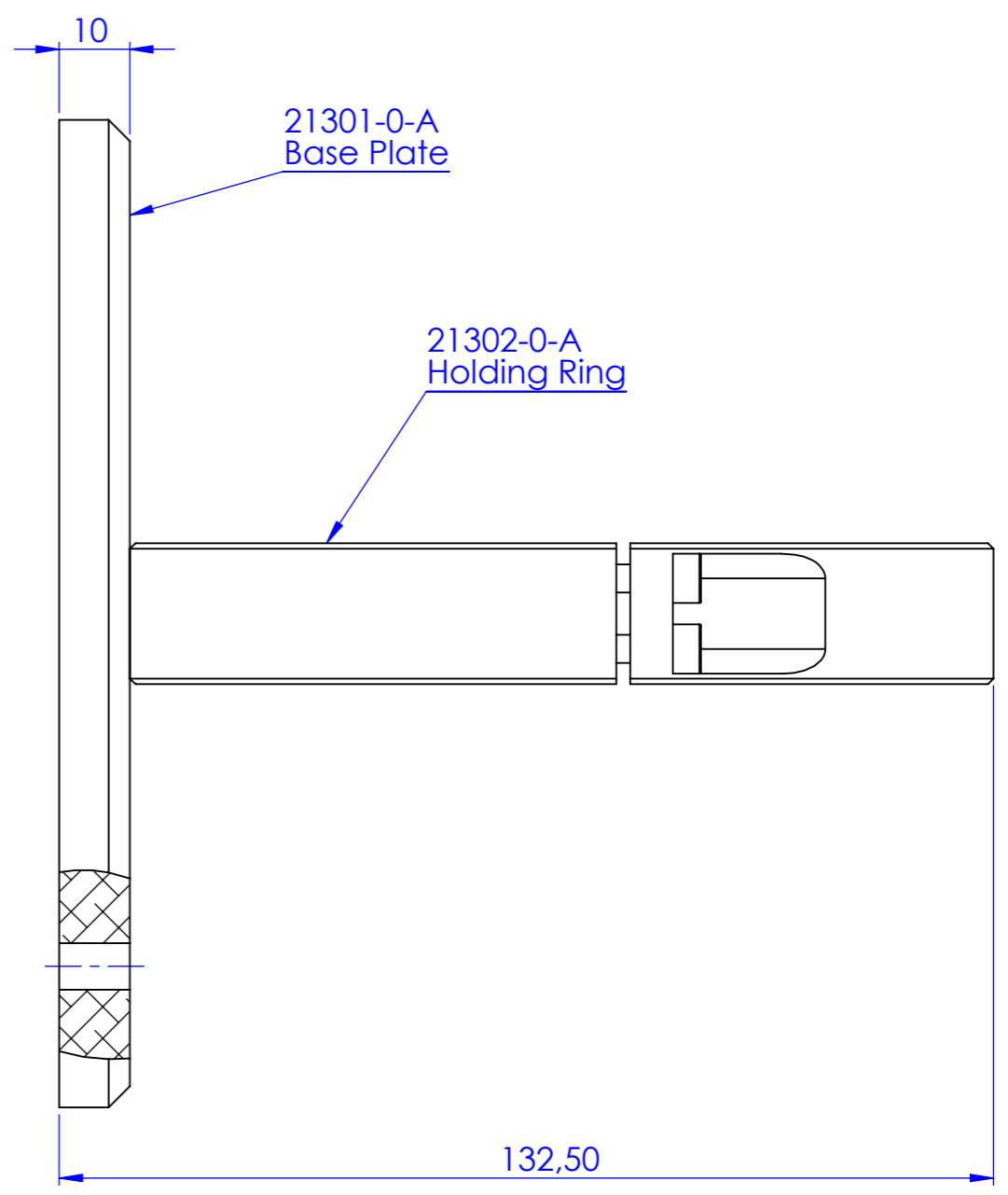


Rev No.	Description	Date	Name
A	New Part	07/03/13	A.Vasconetto



Material	N.A.		Mass	720 g	Scale	1:1
Surface treatment	N.A.		Project-Prod.item/Instrument CMHOMC12K025			
Geometrical tolerance (ISO 2768-2)			Class	K	Undimensioned bevels	
Linear tolerance (ISO 2768-2)			Class	m	Undimensioned radii	
0.5	>3	>6	>30	>120	>400	>1000
±3	±6	±30	±120	±400	±1000	±2000
±0.1	±0.1	±0.2	±0.3	±0.5	±0.8	±1.2
					0.5x45°	R 0.5
Description			Assembly			
Drawing No.			Date		Name	
21300-1-A			06/03/13		A.Vasconetto	
Sheet			Date		Name	
1/2			06/03/13		A.Vasconetto	
Checked			Date		Name	
X					C.Sedazzari	
Reproduction forbidden without specific authorization						
OPTO ENGINEERING S.r.l. - 46100 Mantova Italy - Via Cremona, 29/2 - Tel. +39 0376 263525 - e-mai: info@opto-engineering.com - http://www.opto-engineering.com						

A

A

D

D

C

C

B

B

140

120

95

45

20

0

Ø 6,60

DOWELLING HOLE

Ø 4 F6 +0,02
+0,01

21301-0-A
Base Plate

21302-0-A
Holding Ring

132,50

30,50

55,50

80,50

111

0

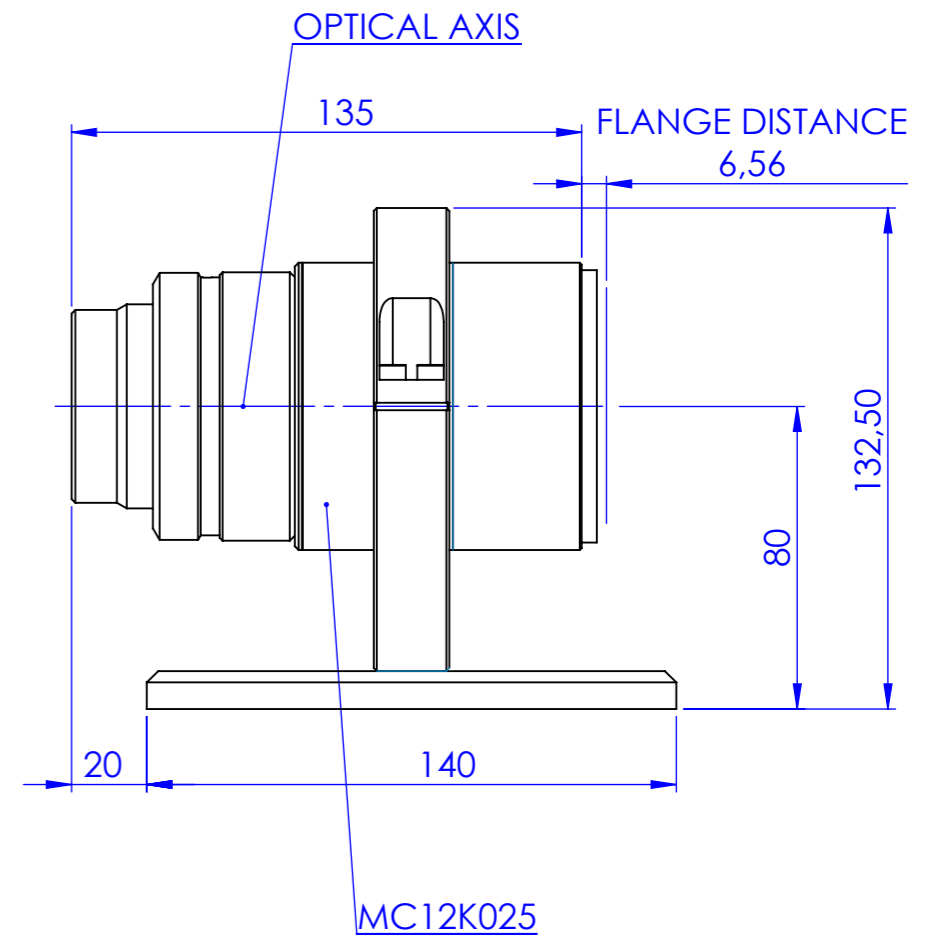
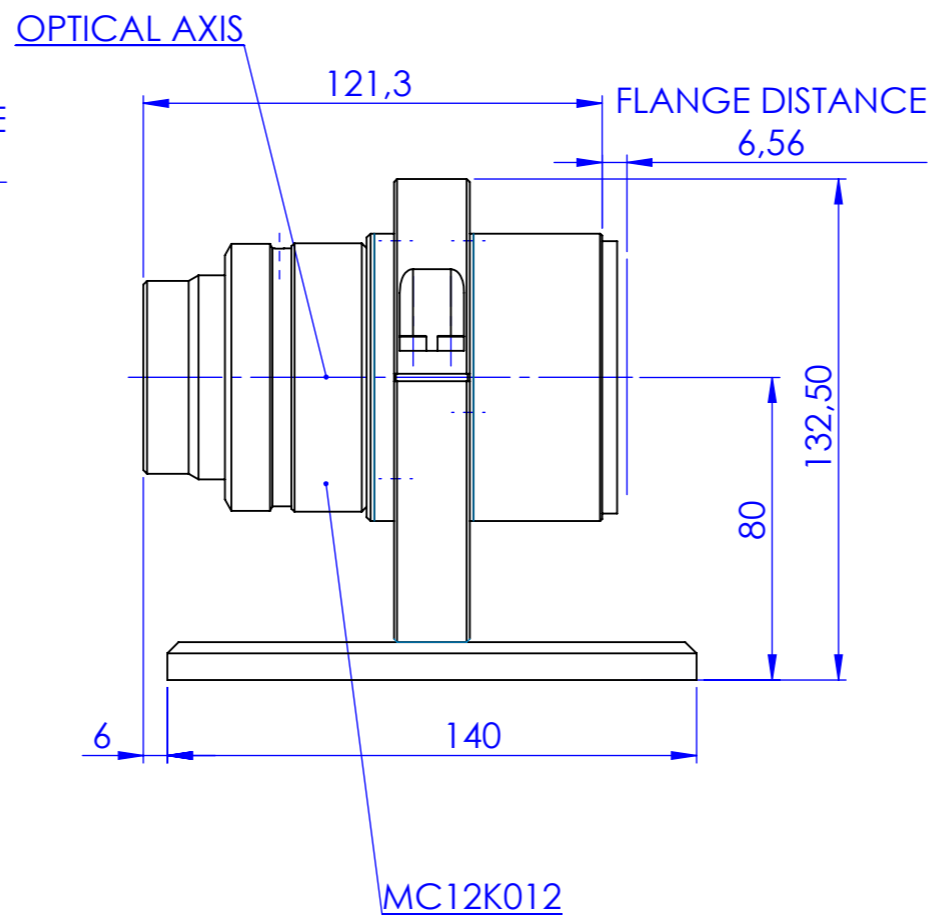
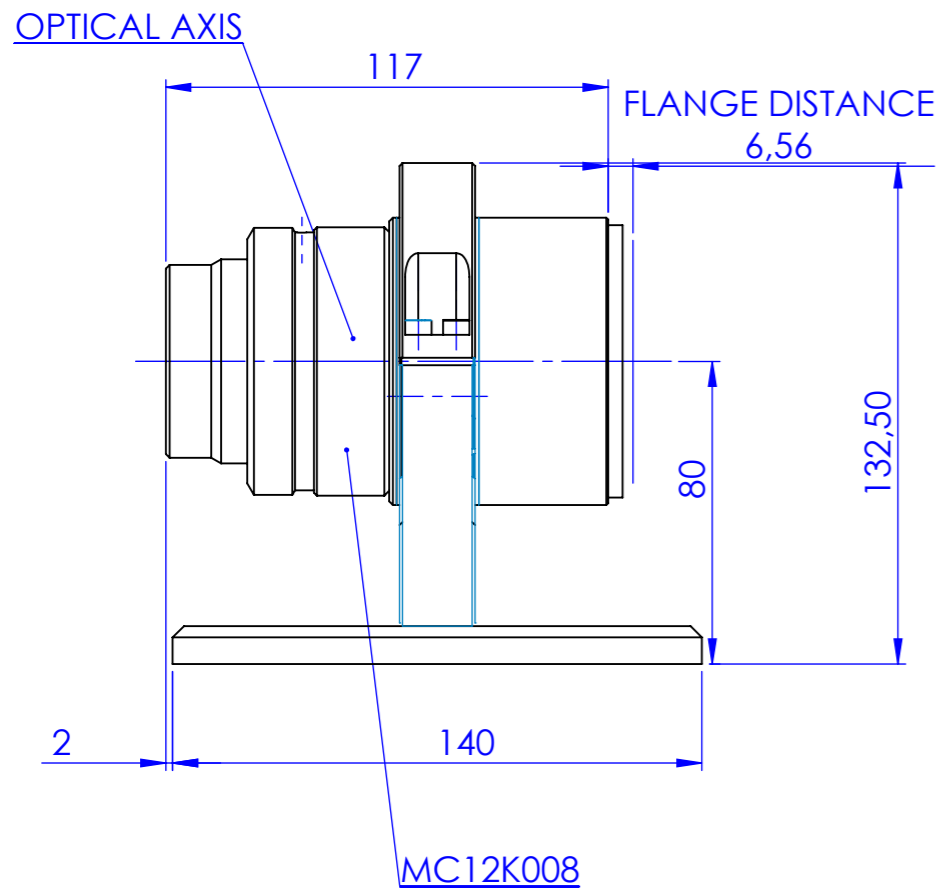
0 1 2 3 4 5 6 7 8 9 10


6

7

8

Rev No.	Description	Date	Name
A	New Part	07/03/13	A.Vasconetto



Material	N.A.		Mass	N.A.	Scale	1:1
Surface treatment	N.A.		Project-Prod.item/Instrument		CMHOMC12K025	
Geometrical tolerance (ISO 2768-2)			Class	K	Undimensioned bevels	
Linear tolerance (ISO 2768-2)			Class	m	Undimensioned radii	
0.5	>3÷	>6÷	>30÷	>120	>400÷	>1000
±3	6	30	120	±400	1000	±2000
±0.1	±0.1	±0.2	±0.3	±0.5	±0.8	±1.2
					0.5x45°	R 0.5
			Date	Name	Drawing No.	Sheet
			Designed	07/03/13 A.Vasconetto	21300-2-A	2/2
			Draw	07/03/13 A.Vasconetto		
			Checked	X C.Sedazzari	Reproduction forbidden without specific authorization	
OPTO ENGINEERING S.r.l. - 46100 Mantova Italy - Via Cremona, 29/2 - Tel. +39 0376 263525 - e-mai: info@opto-engineering.com - http://www.opto-engineering.com						