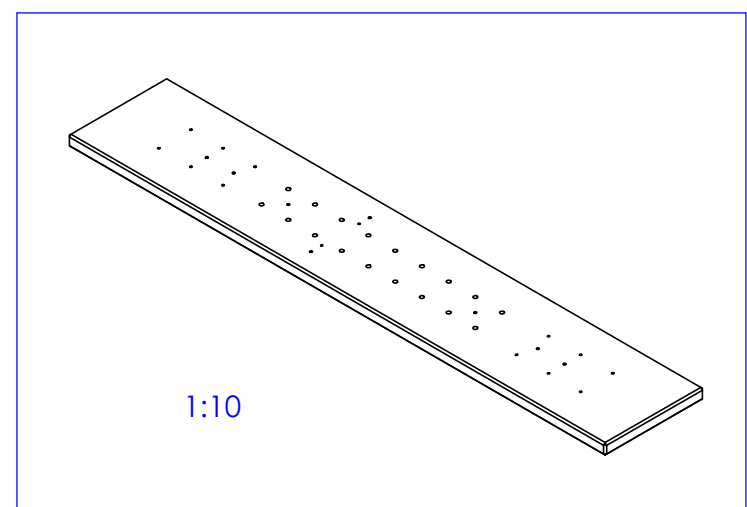
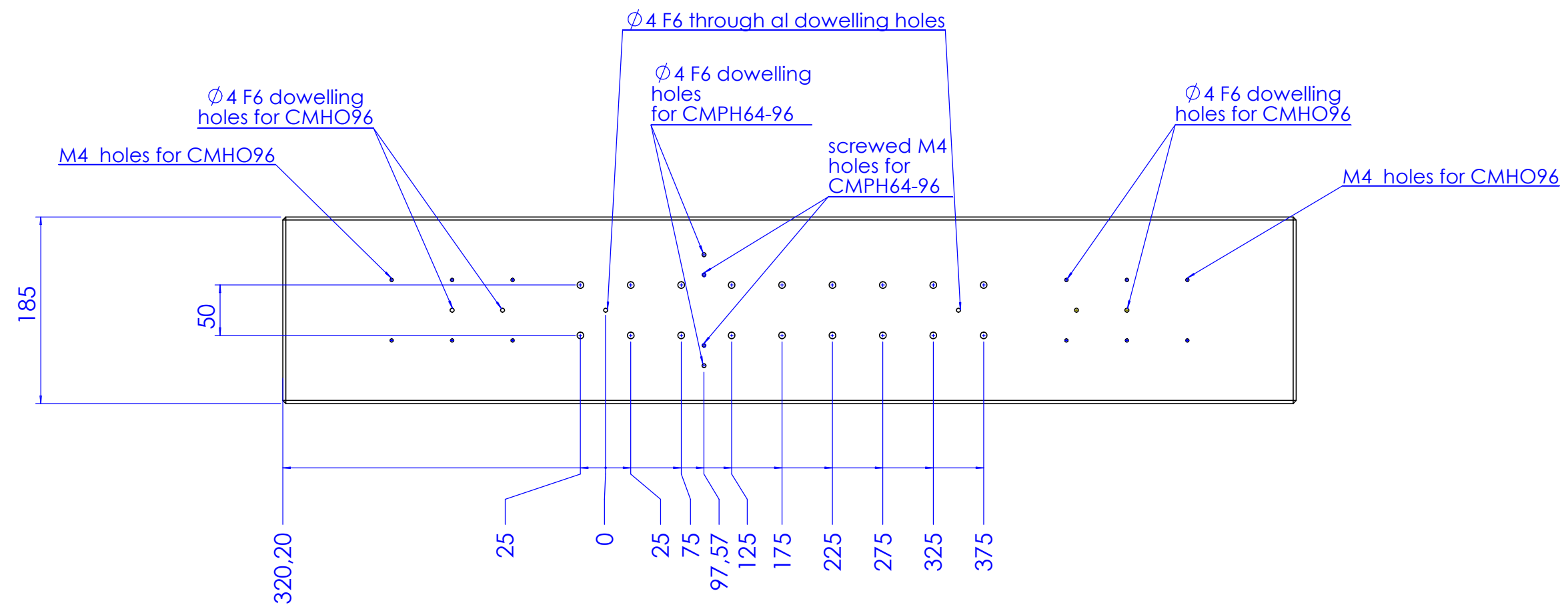
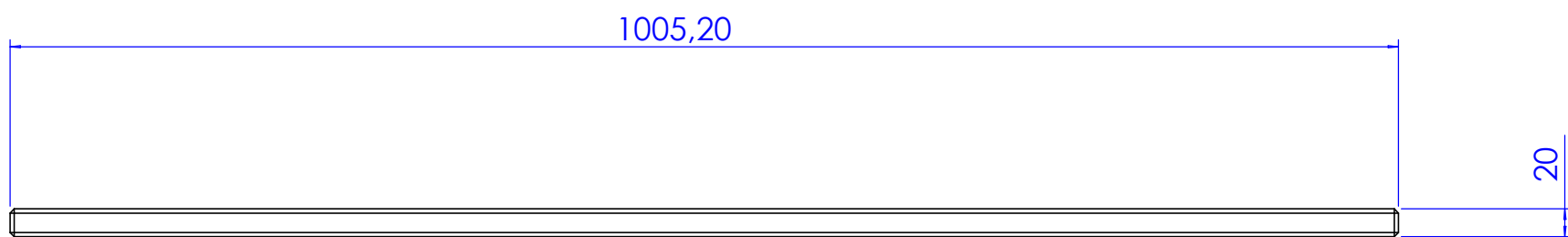


Rev No.	Description	Date	Name
A	New Part	16/09/09	N. Santini



Material Aluminum - UNI EN 573 EN AW 6063		Mass 9939 g		Scale 1:5	
Surface treatment Gray Condensed Anodization		Project-Prod.item/Instrument CMPT96		Description CMPT96	
Geometrical tolerance (ISO 2768-2)		Class	K	Undimensioned bevels	1x45°
Linear tolerance (ISO 2768-2)		Class	m	Undimensioned radii	R 0.5
0.5 ±3	>3± 6	>6± 30	>30± 120	>120 ±400	>400± 1000
					>1000 ±2000
					>2000 ±4000
±0.1	±0.1	±0.2	±0.3	±0.5	±0.8
					±1.2
					±2
		Date	Name	Drawing No.	Sheet
Designed		16/09/09	N. Santini	18903-0-C	1/1
Draw		16/09/09	N. Santini		
Checked		X	C.Sedazzari		
Reproduction forbidden without specific authorization					