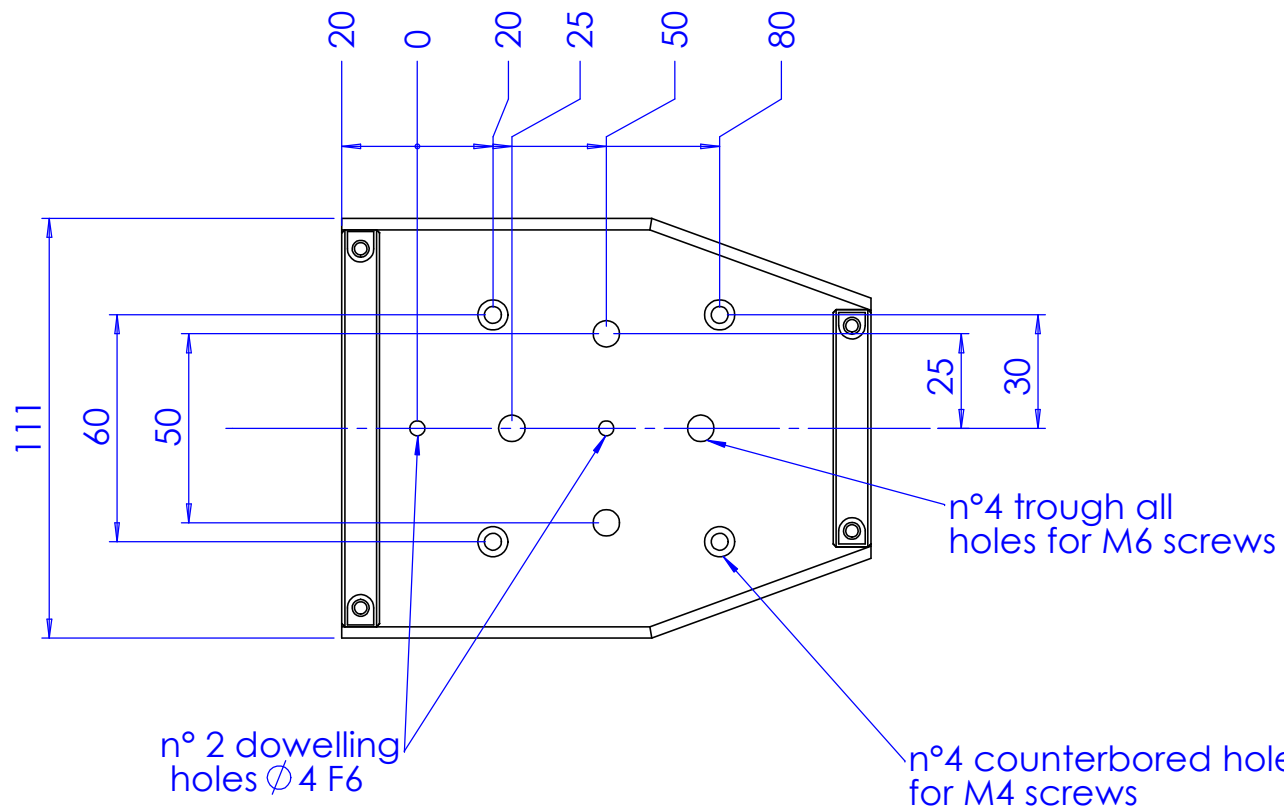
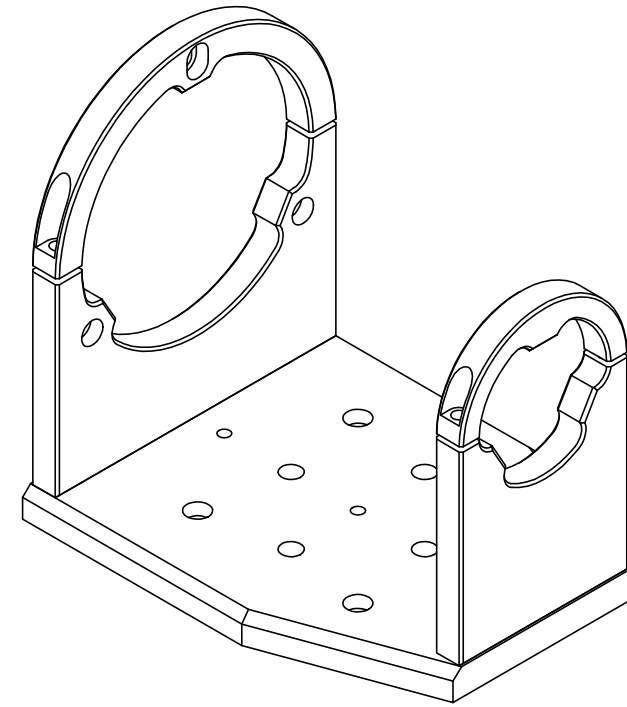
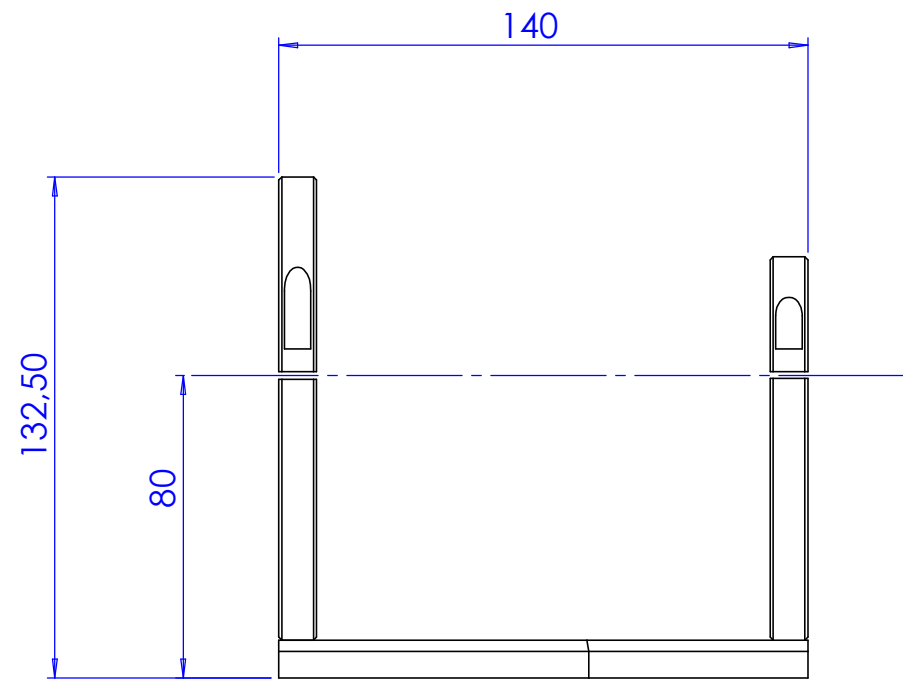


5	6	7	8
Rev No.	Description	Date	Name
A	new part	16/09/09	N.Santini



Material Aluminum - UNI EN 573 EN AW 6063		Mass 639.3	Scale 1:2						
Surface treatment Gray Anodization		Project-Prod.item/Instrument CMHO48							
Geometrical tolerance (ISO 2768-2)			Description CMHO48						
Linear tolerance (ISO 2768-2)									
0.5 ±3	>3± 6	>6± 30	>30± 120	>120 ±400	>400± 1000	>1000 ±2000	>2000 ±4000	Undimensioned bevels 0.5x45°	Undimensioned radii R 0.5
±0.1	±0.1	±0.2	±0.3	±0.5	±0.8	±1.2	±2	Date Designed 16/09/09 Name N.Santini	
		Date Draw 16/09/09 Name N.Santini		Drawing No. 18893-0-A		Sheet 1/1			
		Date Checked x Name C. Sedazzari		Reproduction forbidden without specific authorization					
OPTO ENGINEERING S.R.L. - 46100 Mantova Italy - Via Cremona, 29/2 - Tel/fax +39 0376 223525 - e-mai: info@opto-engineering.com - http://www.opto-engineering.com									