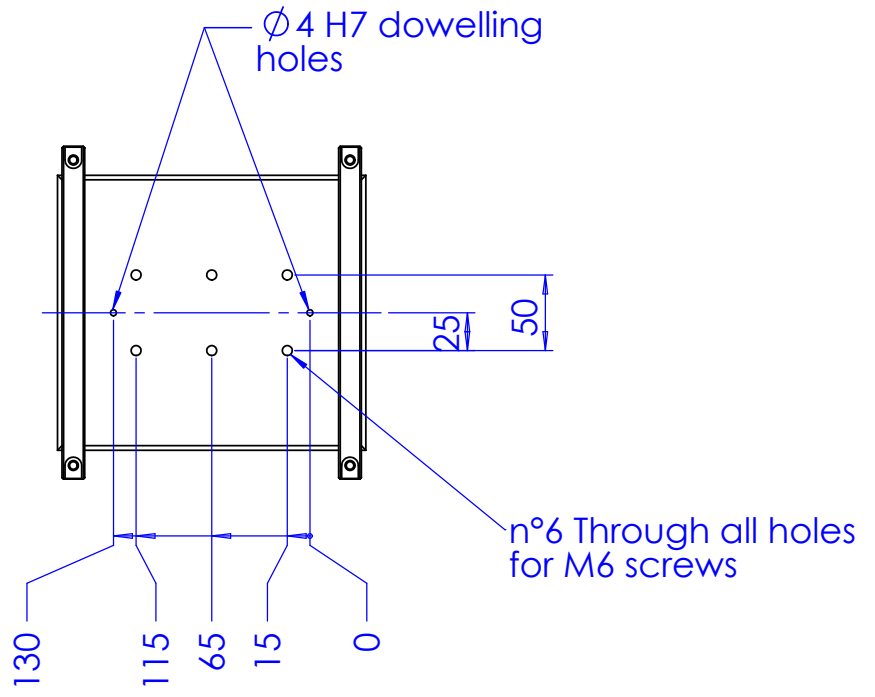
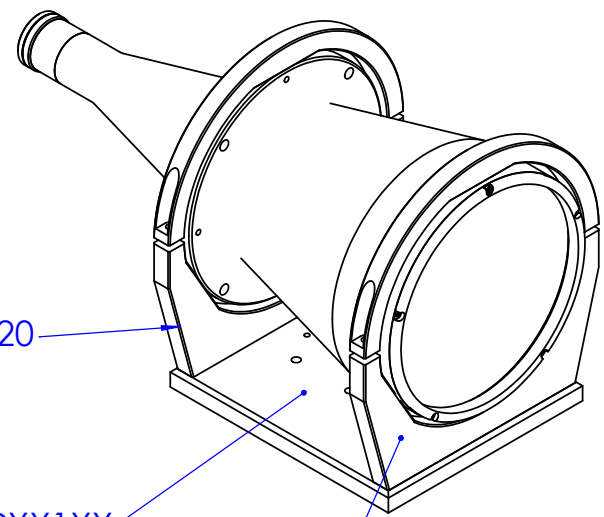
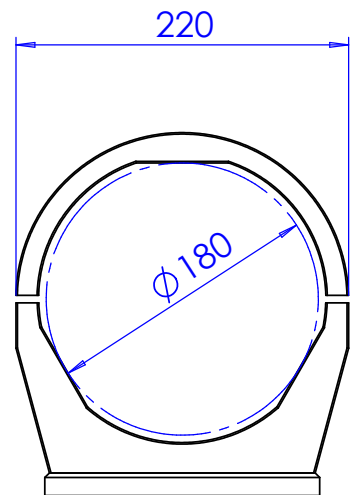
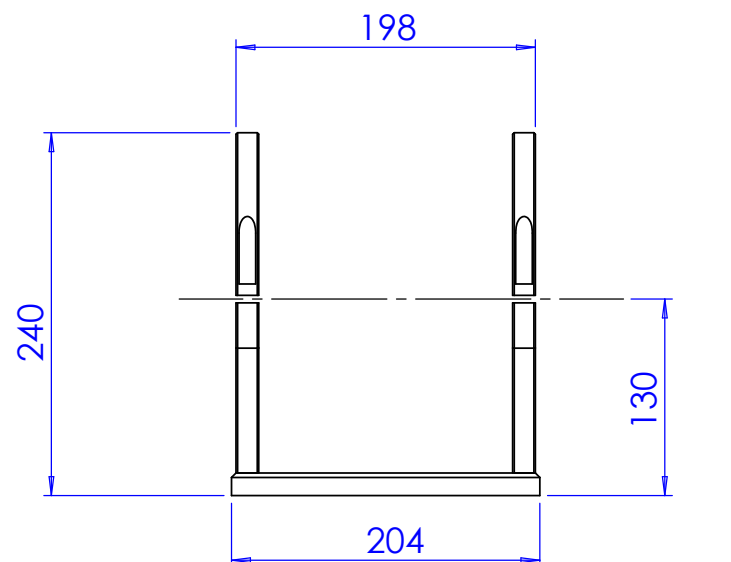


Rev No.	Description	Date	Name
A	New Part	11/11/09	N. Santini



18445-0-A holding ring TCXX120

18441-0-B Base plate TCXX1XX

18445-0-A holding ring TCXX120

Material Aluminum - UNI EN 573 EN AW 6063		Mass 2593g		Scale 1:5	
Surface treatment Grey Anodizing		Project-Prod.item/Instrument CMHO120		Description Assembly	
Geometrical tolerance (ISO 2768-2)		Class K		Undimensioned bevels 1x45°	
Linear tolerance (ISO 2768-2)		Class m		Undimensioned radii R 0.5	
0.5 ±3	>3÷ 6	>6÷ 30	>30÷ 120	>120 ±400	>400÷ 1000
±0.1	±0.1	±0.2	±0.3	±0.5	±0.8
					±1.2
					±2
		Date		Name	
Designed		11/11/09		N. Santini	
Draw		11/11/09		N. Santini	
Checked		X		C.Sedazzari	
Drawing No.		Sheet		Reproduction forbidden without specific authorization	
18845-0-A		1/1			