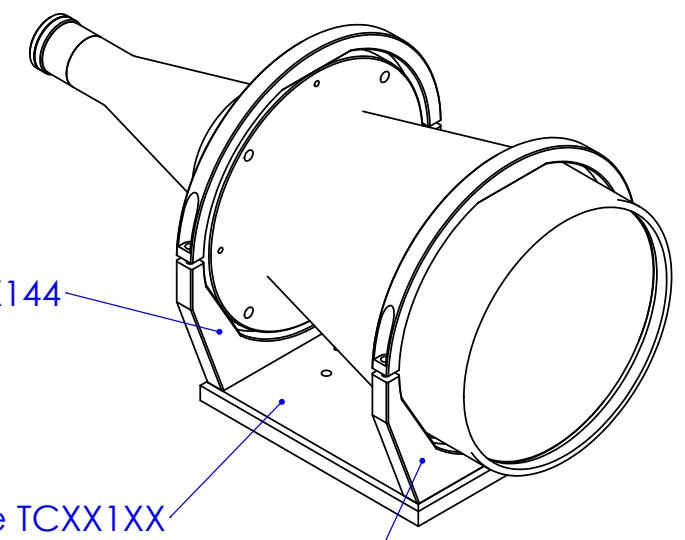
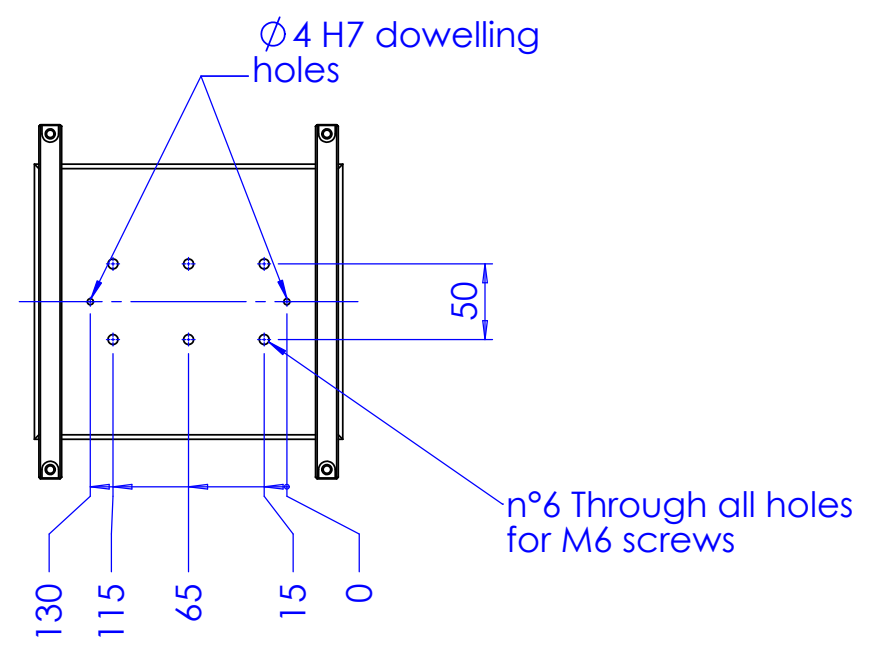
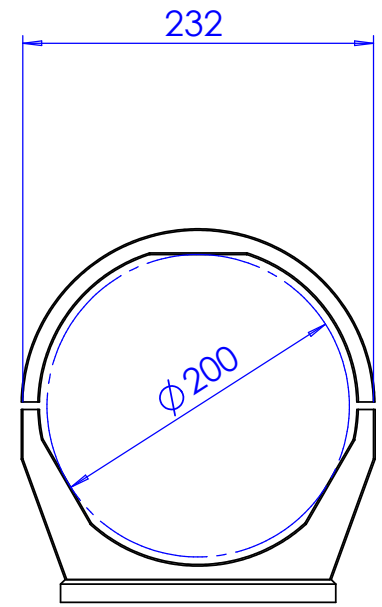
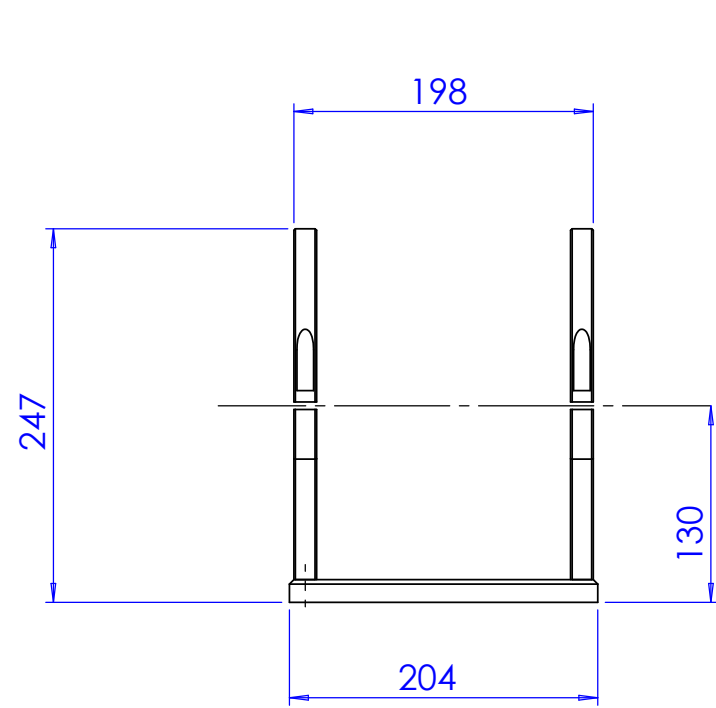


Rev No.	Description	Date	Name
A	New Part	02/03/08	N. Santini
A	Redesign	11/11/09	N. Santini



18442-0-B holding ring TCXX144

18441-0-B Base plate TCXX1XX

18442-0-B holding ring TCXX144

Material Aluminum - UNI EN 573 EN AW 6063		Mass 2391g		Scale 1:5	
Surface treatment Grey Anodizing		Project-Prod.item/Instrument CMHO144		Description Assembly	
Geometrical tolerance (ISO 2768-2)		Class		K	
Linear tolerance (ISO 2768-2)		Class		m	
0.5	>3÷	>6÷	>30÷	>120	>400÷
±3	6	30	120	±400	1000
±0.1	±0.1	±0.2	±0.3	±0.5	±0.8
				>2000	
				±2000	
				±4000	
				±2	
				Undimensioned bevels	
				1x45°	
				Undimensioned radii	
				R 0.5	
Date		Name		Drawing No.	
Designed 02/03/08		N. Santini		18840-0-B	
Draw 02/03/08		N. Santini		Sheet	
Checked X		C.Sedazzari		1/1	
Reproduction forbidden without specific authorization					