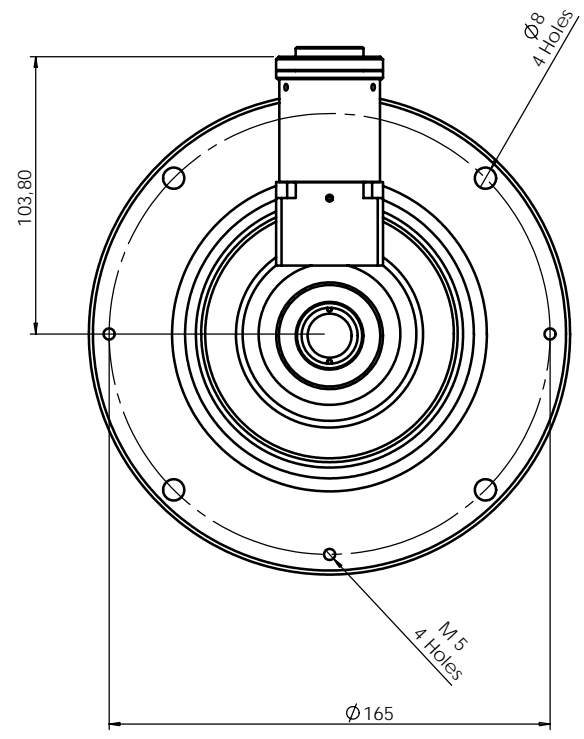
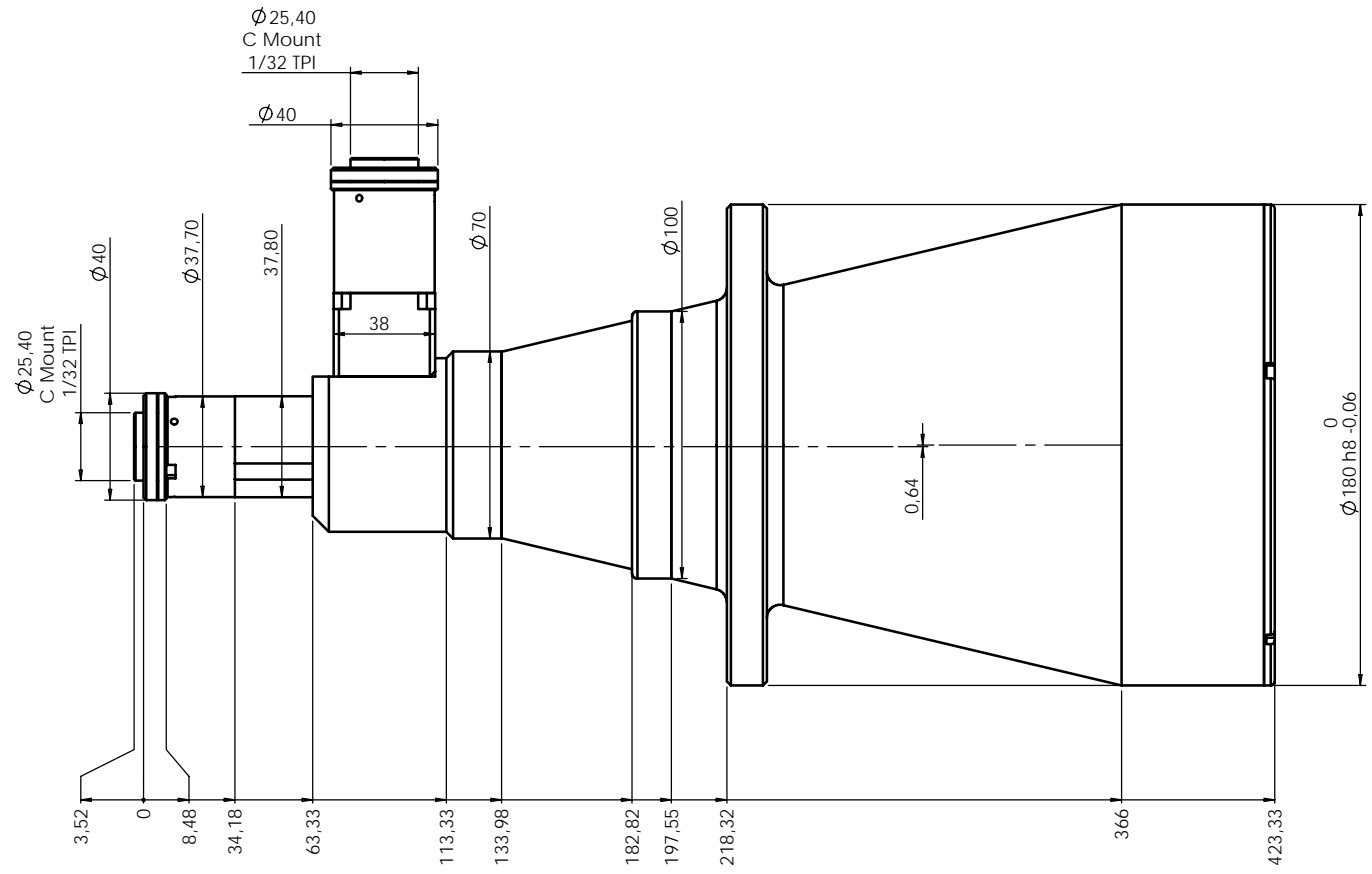


Rev No.	Description	Date	Name
A	Layout	14/12/11	A. Bnà



Material	N.A.		Mass	6 Kg.	Scale	1:2																
Surface treatment	N.A.		Project-Prod Item/Instrument TCDP 2X 120																			
Geometrical tolerance (ISO 2768-2)		<table border="1"> <tr> <td>Class</td> <td>K</td> </tr> <tr> <td> </td> <td> </td> </tr> </table>	Class	K			Undimensioned bevels	1x45°	Description TCDP 2X 120 Layout													
Class	K																					
Linear tolerance (ISO 2768-2)		Undimensioned radii	R 0.5																			
<table border="1"> <tr> <td>0.5</td> <td>>3-</td> <td>>6-</td> <td>>30-</td> <td>>120</td> <td>>400-</td> <td>>1000</td> <td>>2000</td> </tr> <tr> <td>±0.1</td> <td>±0.1</td> <td>±0.2</td> <td>±0.3</td> <td>±0.5</td> <td>±0.8</td> <td>±1.2</td> <td>±2</td> </tr> </table>		0.5	>3-	>6-	>30-	>120	>400-	>1000	>2000	±0.1	±0.1	±0.2	±0.3	±0.5	±0.8	±1.2	±2	Date		Name	Drawing No.	Sheet
0.5	>3-	>6-	>30-	>120	>400-	>1000	>2000															
±0.1	±0.1	±0.2	±0.3	±0.5	±0.8	±1.2	±2															
		Designed	14/12/11	A. Bnà	16313-0-A	1/1																
		Draw	14/12/11	A. Bnà																		
		Checked	X	C. Sedazzari																		
OPTO ENGINEERING S.r.l. - 46100 Mantova Italy - Via Cremona, 29/2 - Tel +39 0376 263525 - e-mail: info@opto-engineering.com - http://www.opto-engineering.com																						

D
C
B
A

D
C
B
A

1 2 3 4 5 6 7 8

1 2 3 0 1 2 3 4 5 6 7 8 9 10 6 7 8